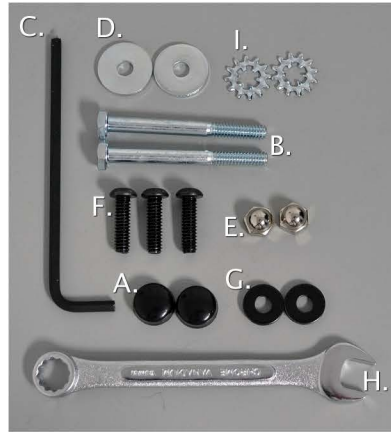


# THE MYMAC KANGAROO PRO – ASSEMBLY INSTRUCTIONS

## ASSEMBLY PARTS LIST

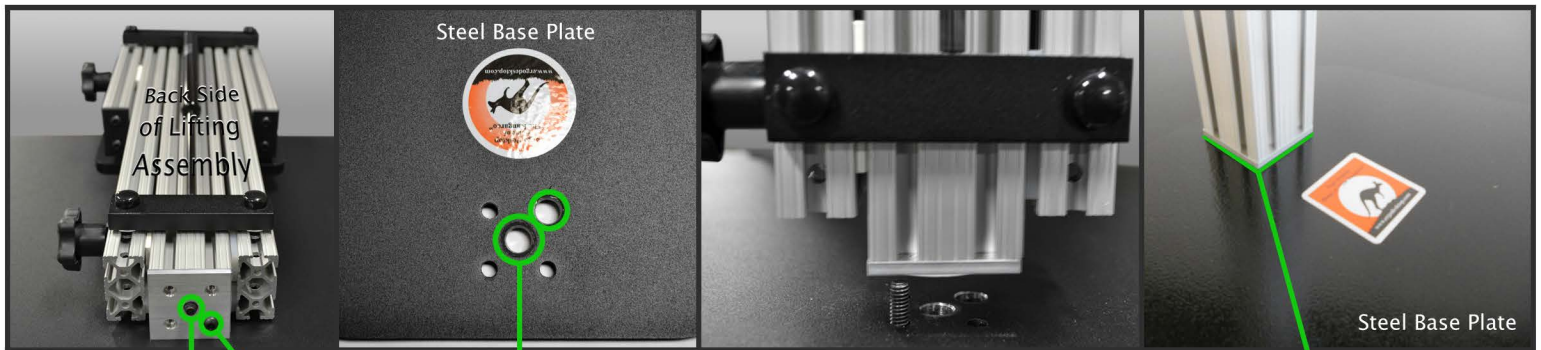
- A. (2) Black Screw Covers
- B. (2) 1/4–20 x 3.50 Hex Head Bolts
- C. (1) 5/32 Allen Wrench
- D. (2) Fender Washers
- E. (2) Acorn Nuts
- F. (3) 1/4–20 x 7/8 BHCS
- G. (2) Thick Black Washers
- H. (1) 7/16 Wrench
- I. (2) Locking Star Washers



Apple mounting plate and 9110 mount instructions included. Please visit this youtube link to view an instructional video on attaching your apple display to the apple adaptor kit.

[www.youtube.com/watch?v=4D5\\_uMBMaCY](http://www.youtube.com/watch?v=4D5_uMBMaCY)

The Apple adaptor kit provides the 100 x100mm hole pattern needed to attach to the 9110 mount.



STEP 1

Threads of Spring

Single Button Screw

STEP 2

Oversize Holes

STEP 3

STEP 4

Lifting assembly should be flat against the base when tight.

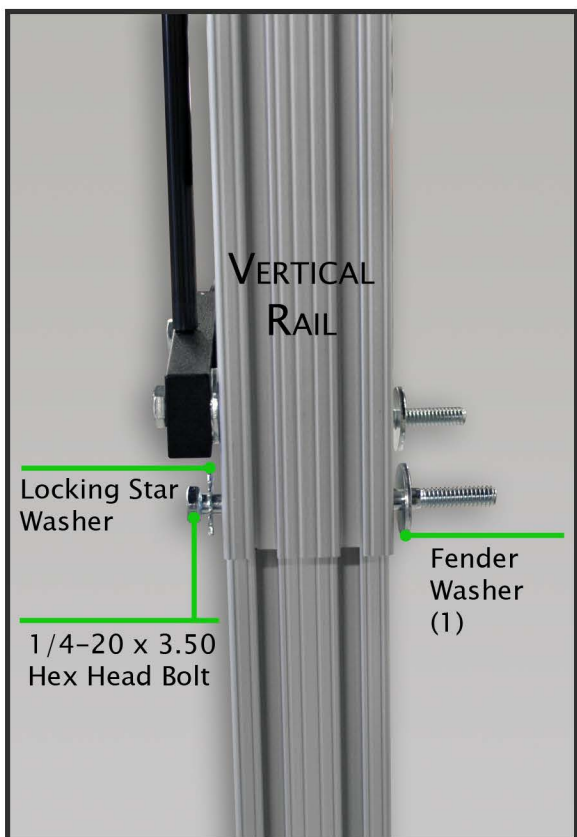
Step 1: Lay the lifting assembly on a solid surface with the back side up as shown. Notice the single Button Head Bolt and the Threads of the Spring in the assembly union. **DO NOT LOOSEN THE SINGLE BUTTON HEAD BOLT.**

Step 2: Now notice the (2) oversized holes in the Base Plate. The Single Button Head Bolt and the Threads of the Spring will go into these oversized holes.

Step 3: With the Base Plate over hanging the table about 2 inches, hold the Lifting Assembly above the Base Plate and align the Single Button Bolt and the Spring Threads into the oversized holes. Place one 1/4–20 x 7/8 BHCS through the base plate to screw in the lifting assembly.

Step 4: Insert and thread the other (2) 1/4–20 x 7/8 BHCS through the Base Plate and into the Lifting Assembly. Once all (3) bolts are threaded in, tighten securely with the 5/32 allen wrench. Lifting Assembly should be flat against the Base.

# THE MYMAC KANGAROO PRO – ASSEMBLY INSTRUCTIONS

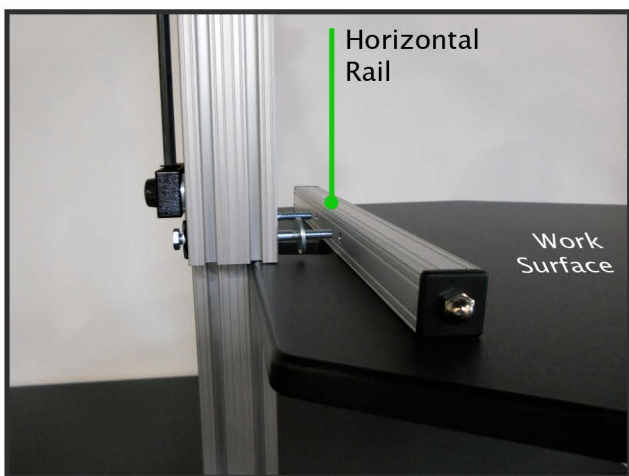


## STEP 5,6,7

Step 5: Put (1) Locking Star Washer on each of the 1/4 -20 x 3.50 Hex Head Bolts.

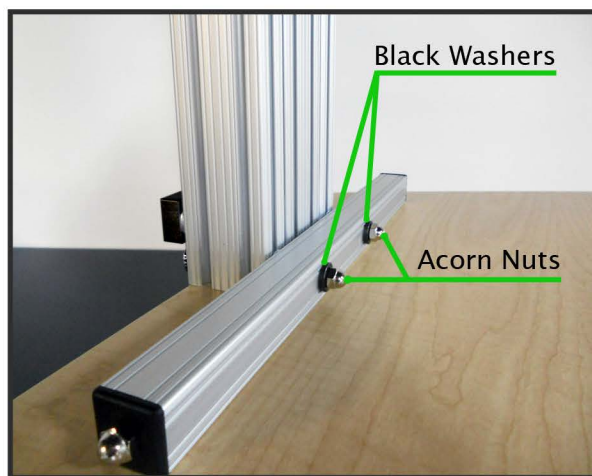
Step 6: Insert the (2) 1/4-20 x 3.50 Hex Head Bolts through the holes in the Vertical Rail

Step 7: Put (1) Fender Washer on the each of the 1/4-20 x 3.50 Hex Head Bolts on the other side of the Vertical Rail.



## STEP 8

Step 8: Lift the Work Surface up and align the holes in the Horizontal Rail with the (2) 1/4-20 x 3.50 Hex Head Bolts. Push the Work Surface onto the Hex Head Bolts until the threads of the bolts come through the Horizontal Rail.



## STEP 9

Step 9: Put (1) Black Washer and (1) Acorn Nut on the end of each of the Hex Head Bolts. Using the 7/16 wrench, tighten the Acorn Nuts securely.

# THE MYMAC KANGAROO PRO



The MyMac Pro is designed to hold (1) iMac 24" or 27", Cinema Display, or Thunderbolt on the VESA compatible bracket and your keyboard and mouse on the work surface. Your MyMac Pro is shipped in the down position with the Main Brake tightened. The MyMac Pro has (2) very strong springs that assist in raising your unit to the standing position. It is best to keep the unit in the down position until you have your iMac or Mac monitor mounted to the unit. This reduces the amount of pressure needed to lower the unit. **Always push down with both hands on the horizontal rear rail when lowering the main work surface.**

**Always push down with both hands on the horizontal rear rail when lowering the main work surface.**

Any questions about The MyMac Kangaroo Pro  
Contact us at [info@ergodesktop.com](mailto:info@ergodesktop.com) or 866-232-7988

VESA compatible Bracket  
Instructions Included

## HOW TO USE THE MYMAC KANGAROO PRO

Your iMac is very heavy and the springs used to support the weight are very strong. It may take a few days to get used to the body mechanics required to lower the unit.

To raise the MyMac Kangaroo Pro, loosen the main brake(C) and lift the main work surface on the sides(D & D).

To raise your monitor/iMac, loosen the monitor brake(A) and lift the monitor shelf to the desired height.

To lower the MyMac Kangaroo Pro, loosen the main brake(C) and lean into the unit using your upper body weight pushing down with both hands on the horizontal bar at the rear of the main horizontal work surface (B & B).

To Lower the monitor, loosen the monitor brake(A) and push down with one or two hands on the monitor.

**A. Monitor Brake**

**B. Work Surface Rail**

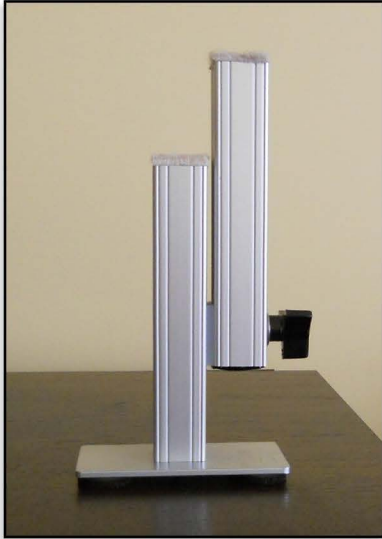
**C. Main Brake**

**D. Main Work Surface**



optimal location for support leg

# THE STABILIZATION LEG



Your adjustable height desk unit comes with an adjustable leg that can be used to give you maximum stability when you are using “The Kangaroo” in the standing position.

Raise The Kangaroo work surface to your desired standing height and tighten the work surface brake.

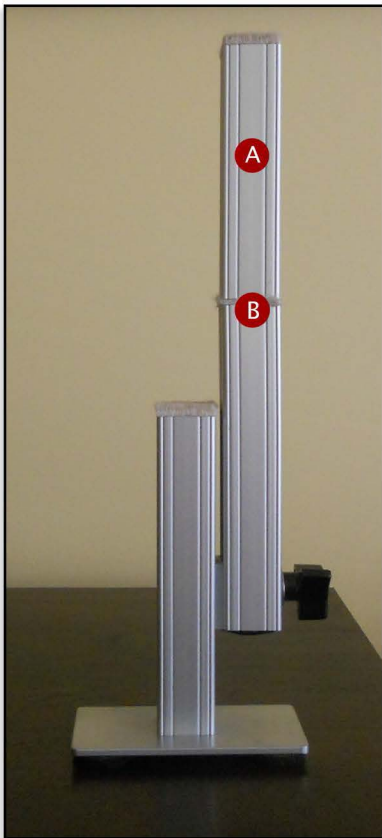
Place the adjustable leg under the work surface and loosen the adjustable leg brake. Only loosen the brake by a turn or two, to much and the brake will disengage from the slot.

Extend the adjustable leg until it engages the bottom of the work surface and then tighten the adjustable leg brake.

The leg is shipped with the **extension section** installed to give you additional height adjustment. If this is too tall for your application, simply **unscrew the extension section**.

**A** Extension Selection

**B** screws into here



**ALWAYS REMOVE LEG BRACE BEFORE LOWERING THE WORK SURFACE.**

