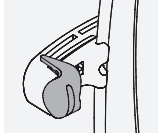
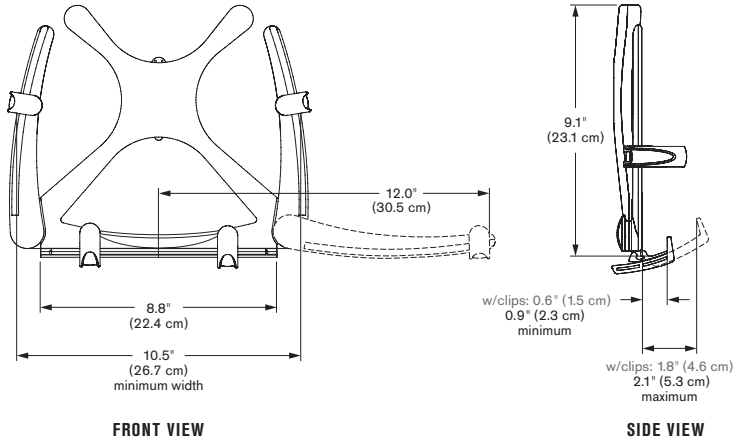


Model 7050

Specifications

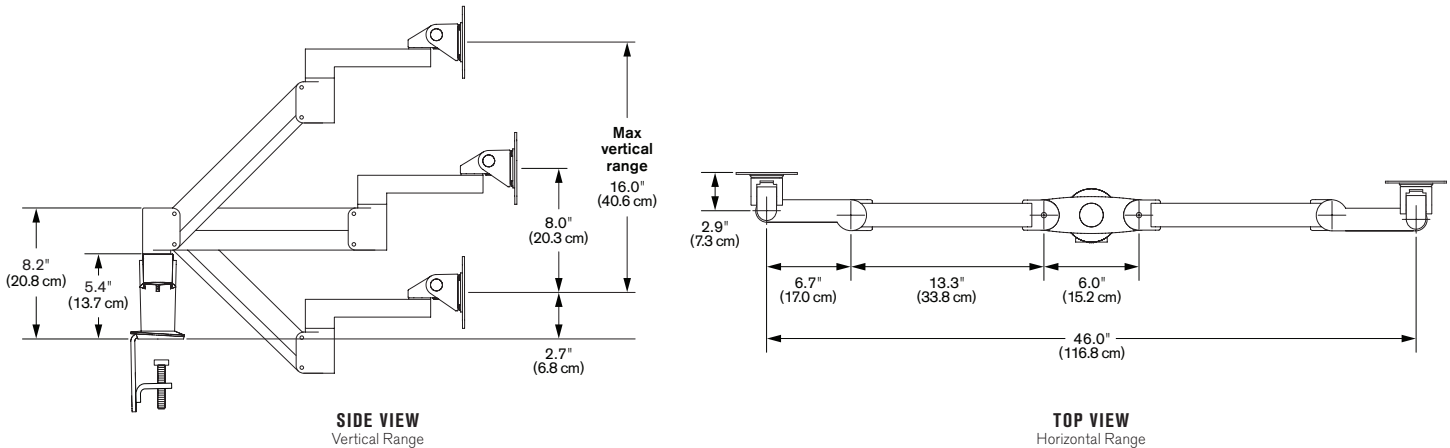


LAPTOP HOLDER

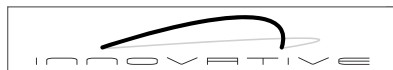
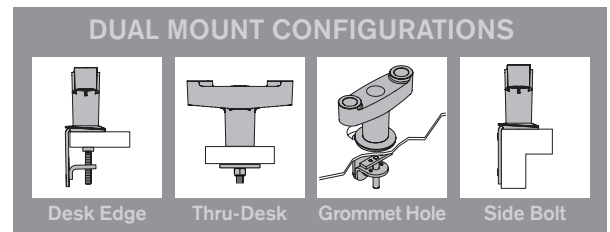


**For ultra thin laptops/
tablet PCs:**
The supplied clips can be attached to the clasps to ensure a secure grasp.

ARMS



- Vertical range** +/- 8.0" (20.3 cm) from horizontal
- Horizontal range, per arm** 24.0" (61.0 cm)
- Rotation** 360 degrees at three joints
- Monitor tilt** 200 degrees
- Monitor pivot** Landscape to portrait
- Monitor compatibility** VESA® 75mm and 100mm
- Cable management** Cables are clipped beneath arm
- Mounting options** Desk Edge, Grommet, Thru-Desk, Side Bolt
- Laptop weight** 1 - 14 lbs (0.5 - 6.4 kg)
- Monitor weight & model number** 3 - 12.5 lbs (1.4 - 5.7 kg), 7050-500-500HY
 9 - 30 lbs (4.1 - 13.6 kg), 7050-800-500HY
 10 - 33 lbs (4.5 - 15 kg), 7050-1000-500HY



Phone: 800.524.2744 | Fax: 610.253.9521 | E-mail: sales@LCDarms.com | Web: www.LCDarms.com

This product is protected by one or more of the following U.S. Patent Nos., and other United States and foreign patents applied for: 119,345, 119,346, 1,324,842, 2,470,525, 6,076,785, 6,273,383, 6,409,134, 6,478,274, 6,499,704, 6,505,988, 6,609,691, 6,119,606, 6,719,253, 6,726,167, 6,736,364, 6,783,105, 6,854,698, 6,915,994, 6,935,883, 6,955,328, 6,983,917, 6,986,489, 7,014,157, 7,017,874, 7,048,242, 7,059,574, 7,063,296, 7,066,433, 7,066,435, 7,389,965, 7,665,699, D435,852, D491,952, D492,893, D670,853, D675,293.