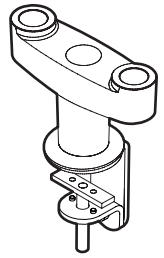
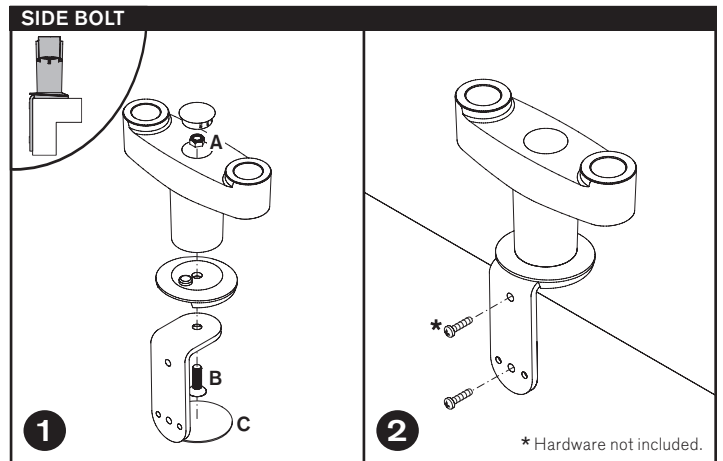
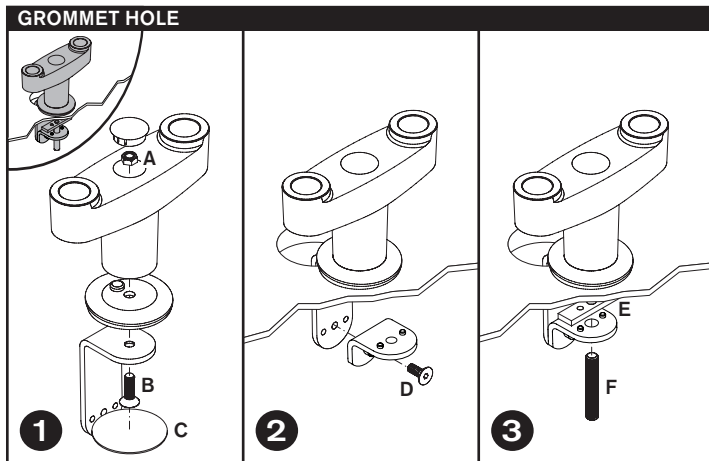
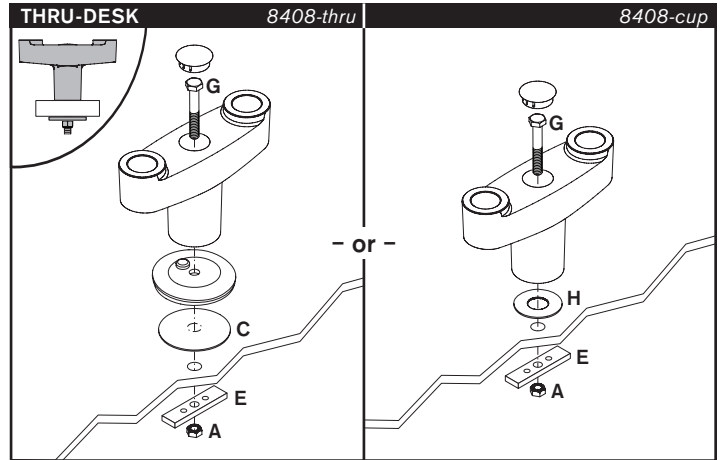
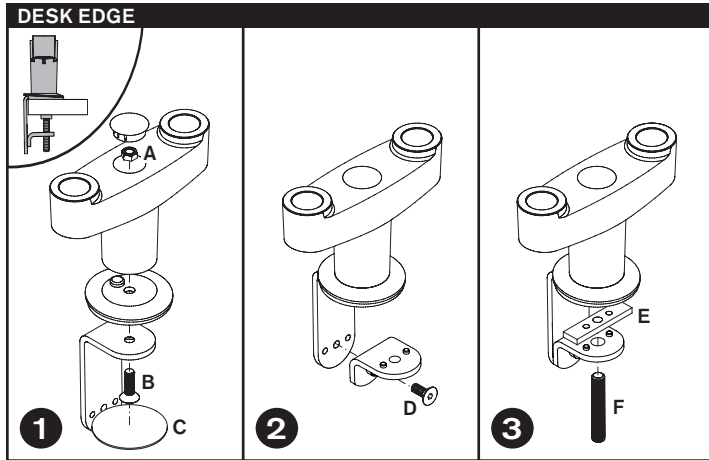


# MODEL 8408

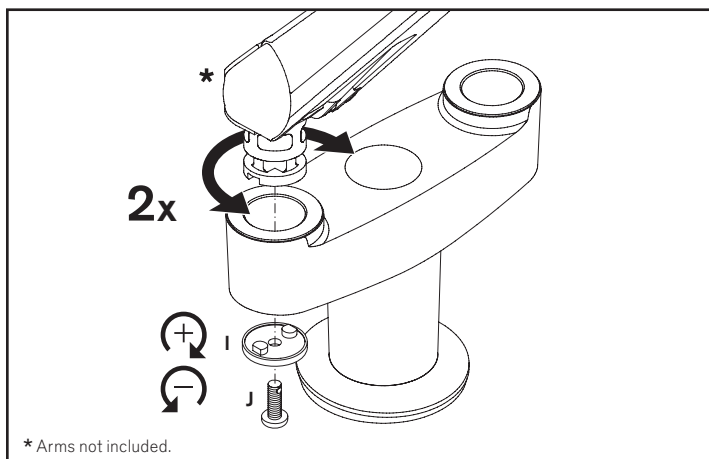
## Installation Instructions



### STEP 1 CHOOSE MOUNT CONFIGURATION

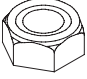
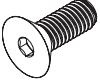
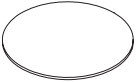
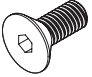
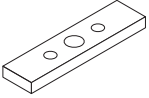
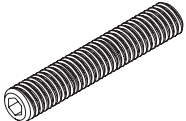


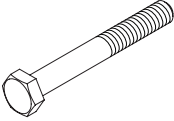

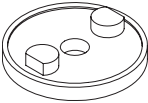
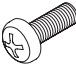
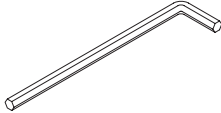
### STEP 2 ADJUST ARM ROTATION FRICTION



# MODEL 8408

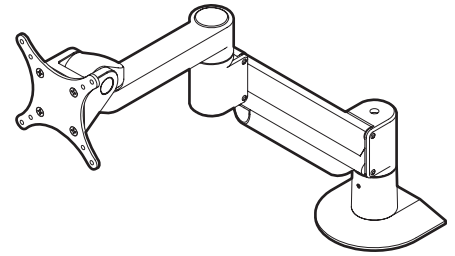
## Parts List

ITEM	DESCRIPTION / PART NO.	QUANTITY
A	<b>3/8-16 Nylon Stop Nut</b> 701418	1
		
B	<b>3/8-16 x 1-1/4" Flat Socket Cap Screw</b> 1 701855	
		
C	<b>Foam Pad</b> 1 701565 <i>Included with Models 8408 &amp; 8408-thru only</i>	
		
D	<b>3/8-16 x 7/8" Flat Socket Cap Screw</b> 1 701799	
		
E	<b>Rectangular Spacer</b> 1 701544	
		
F	<b>1/2-13 x 3" Socket Set Screw</b> 1 701126	
		

ITEM	DESCRIPTION / PART NO.	QUANTITY
G	<b>3/8-16 x 2-1/2" Hex Head Bolt</b> 1 700268 <i>Included with Models 8408-thru &amp; 8408-cup only</i>	
		
H	<b>Foam Pad</b> 1 701120 <i>Included with Model 8408-cup only</i>	
		
I	<b>End Cap Dog Washer</b> 2 104989	
		
J	<b>M6-1 x 18mm Phillips Pan Head Screw</b> 2 105304	
		
K	<b>7/32" Allen Wrench</b> 1 701127	
		

# MODEL 7000

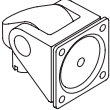


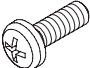
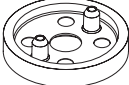
## Installation Instructions


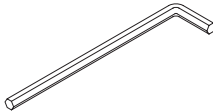

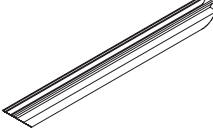


<p><b>1</b></p>	<p><b>2</b></p>	<p><b>3</b></p> <p><small>* Some monitors may require a spacer hardware kit. See page 2 for details.</small></p>
<p><b>4</b></p>	<p><b>5</b></p>	<p><b>6</b></p>
<p><b>7</b></p>	<p><b>8</b></p>	<p style="text-align: center;"><b>?</b></p> <p style="text-align: center;">800.524.2744 www.LCDarms.com</p>

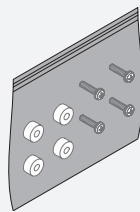
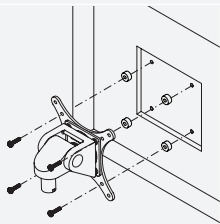
# MODEL 7000

## Parts List

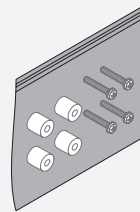
ITEM	DESCRIPTION / PART NO.	QUANTITY
A	 <b>Monitor Tilter</b> 405397	1
B	 <b>75/100mm VESA® Adapter Plate</b> 1 105587	1
C	 <b>10-32 x 3/8" Phillips Pan Head Screw</b> 1 702281 (4-pack)	1
D	 <b>M4 x 12mm Phillips Pan Head Screw</b> 1 702096 (4-pack)	1
E	 <b>Dog Washer</b> 105189	1

ITEM	DESCRIPTION / PART NO.	QUANTITY
F	 <b>10-32 x 3/8" FPhMS w/Lock Patch</b> 1 705198	1
G	 <b>7/32" Allen Wrench</b> 701127	1
H	 <b>3/32" Allen Wrench</b> 700146	1
I	 <b>Cable Cap</b> 102043-9.5	1

**OPTIONAL SPACER KITS** In some cases, the mounting surface on your monitor may be recessed further than permitted by VESA® standards. As a result, a spacer kit may be required.



**.25" Spacer Hardware Kit**  
 (4) .25" Spacers  
 (4) M4 x 18mm Phillips Pan Head Screws  
 Order # P404923-B



**.5" Spacer Hardware Kit**  
 (4) .5" Spacers  
 (4) M4 x 25mm Phillips Pan Head Screws  
 Order # P404923-C

# How do I counterbalance my arm?

## 1

7/32" Allen Wrench

**IMPORTANT!**

- Monitor must be on arm
- Arm must be in mount

**Press the arm down to approximately parallel** with the desk prior to turning the strength adjustment screw.

If the arm **drifts upward**, turn the adjustment screw clockwise.

If the arm **drifts downward**, turn the adjustment screw counter-clockwise.

Depending on the weight of your monitor, **you may have to make 15-20 turns.**

## 2

3/32" Allen Wrench

**In some instances**, further counterbalance adjustments are needed to allow the arm's instant height adjustment function to work properly.

If your arm is not staying in position after performing step 1, follow these steps:

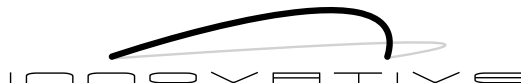
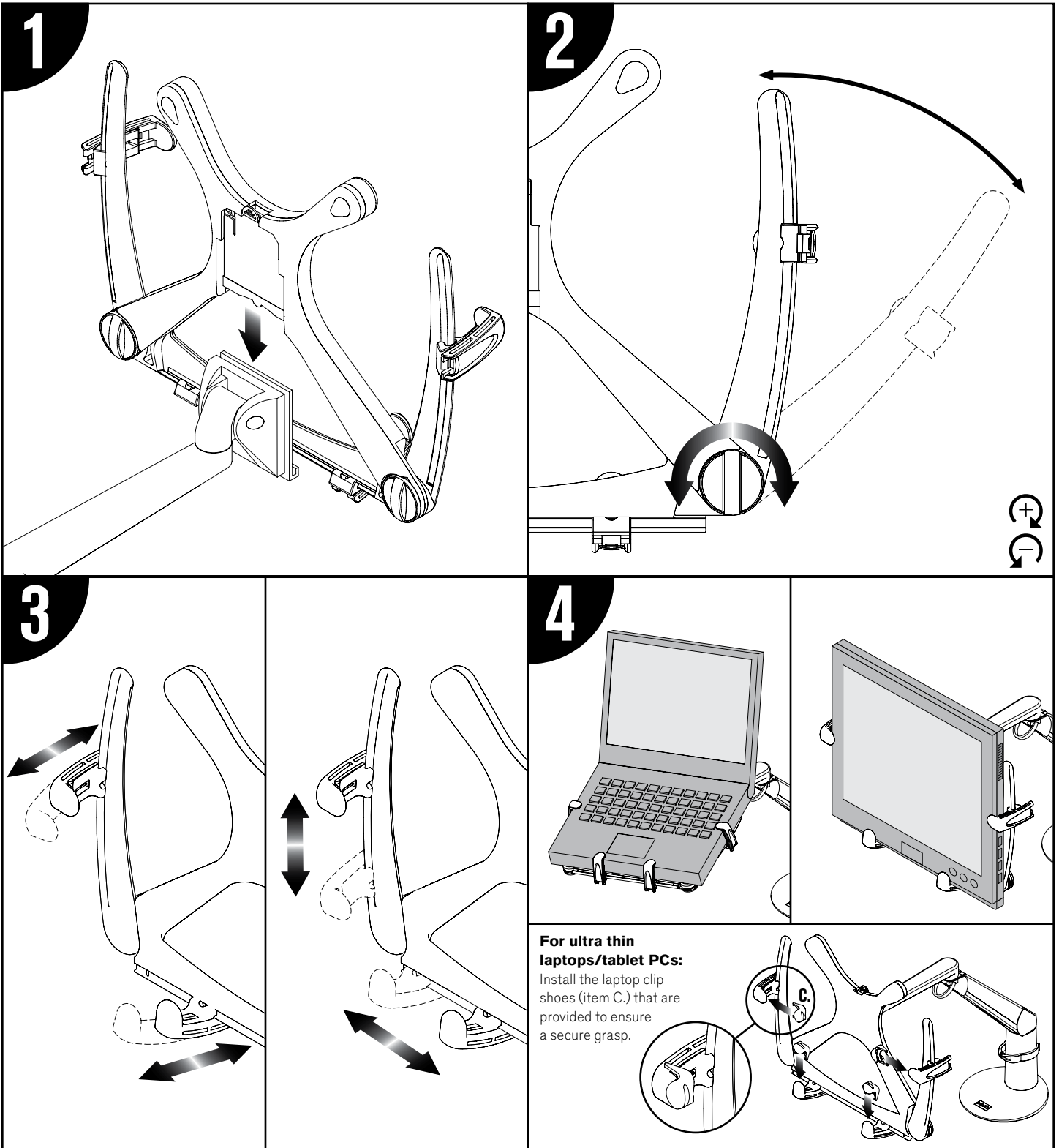
With arm in raised position, tighten set screw **(A)**.

With arm in horizontal position, tighten set screw **(B)**.

**Do not over tighten screws.**

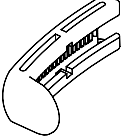
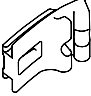

# EVO™ 5501 Installation Instructions

www.LCDarms.com | 800.524.2744



# EVO™ 5501 Parts List

www.LCDarms.com | 800.524.2744

ITEM	DESCRIPTION / PART NO.	QUANTITY
A. 	<b>Adjustable clasp</b> 105479	4
B. 	<b>Adjustable clasp base</b> 105478	4
C. 	<b>Laptop clip shoe</b> 106096	4