

Technical Specifications

Sit-to-Stand Workstation

Freestanding

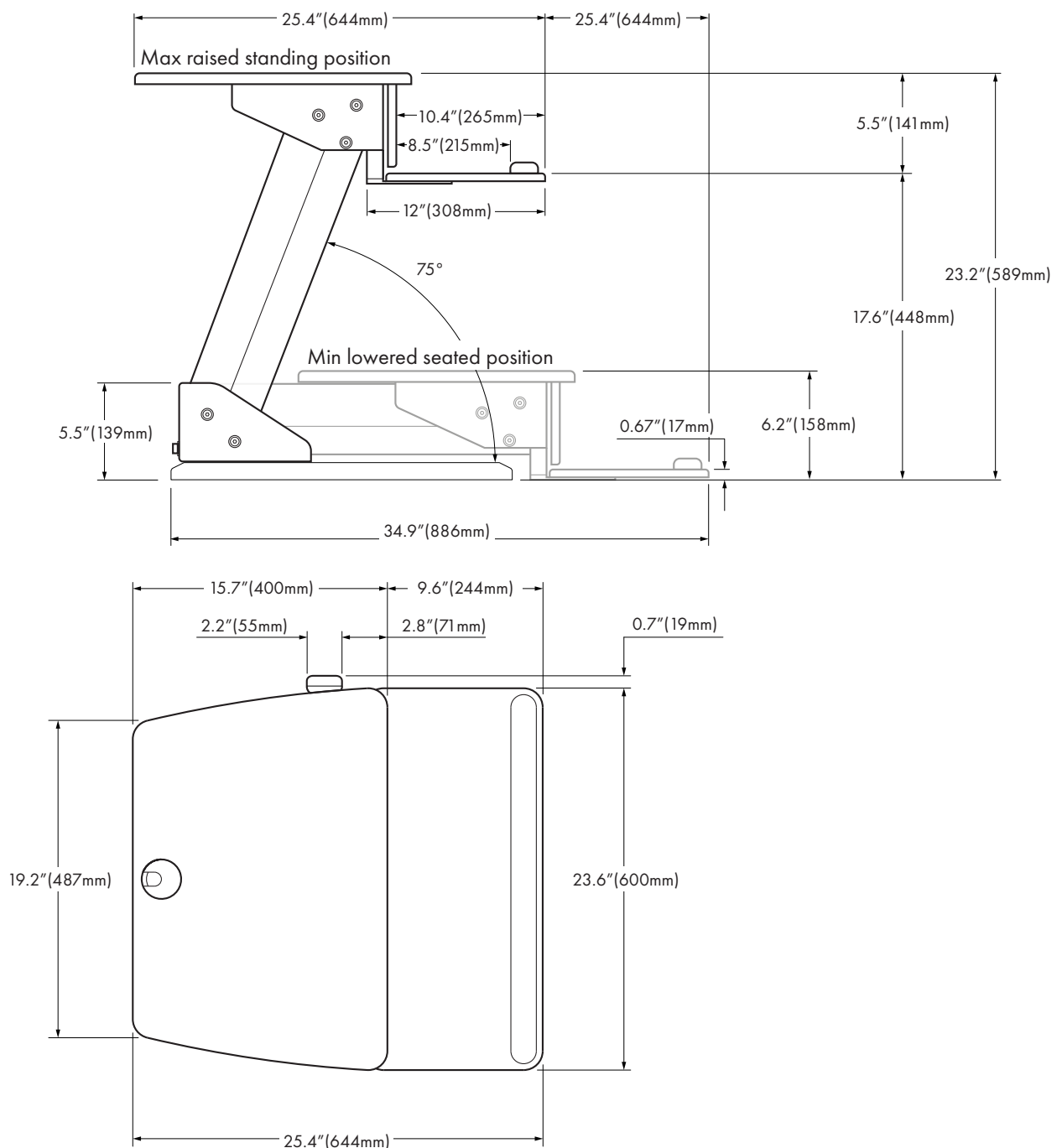
General Features

Maximum Load:
28.6Lbs (13.0KG)

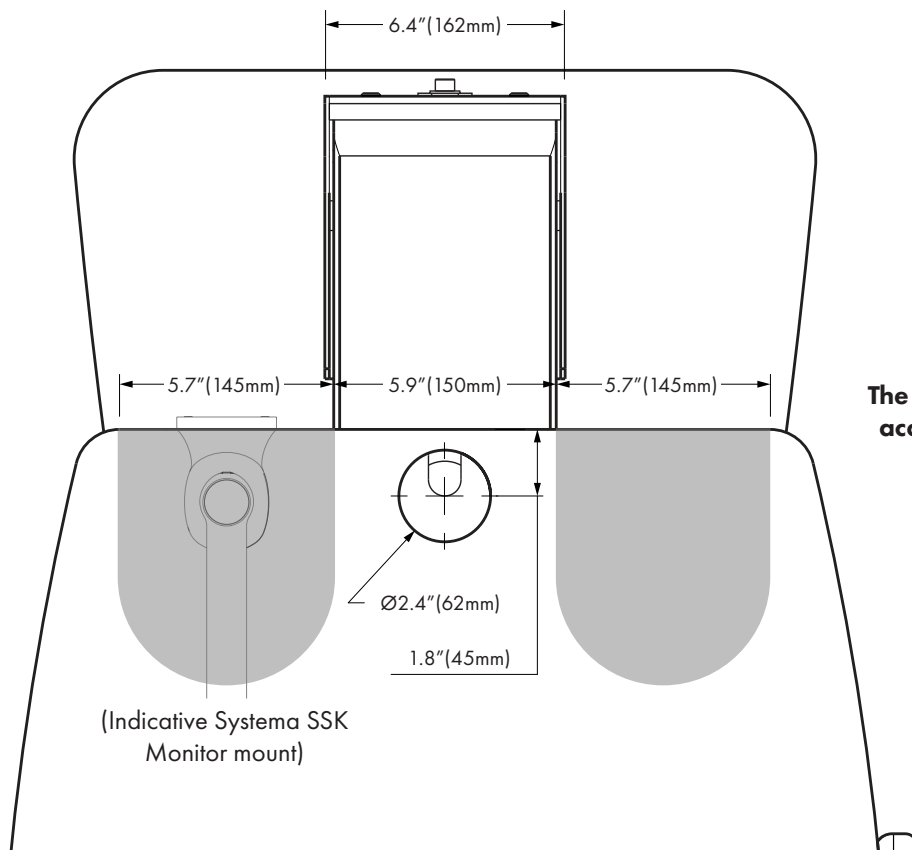
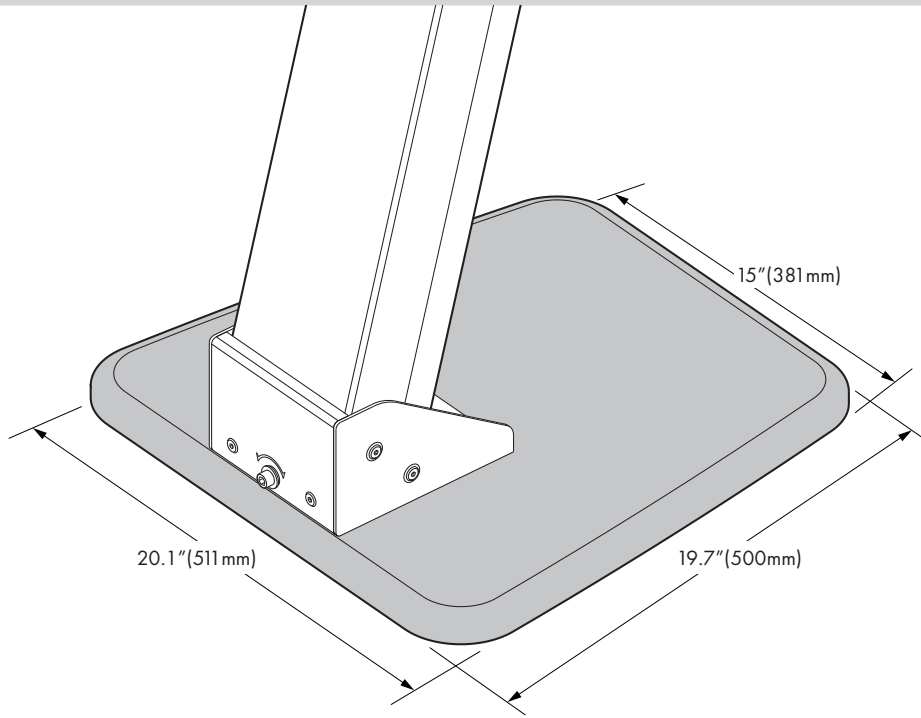
-Supports all VISIDECand SYSTEMA monitor mounts (within specified load capacity).

Included Hardware:
All fasteners and hardware included.

Dimensions



Dimensions



The shaded areas indicate where accessories can be mounted on the work surface.

