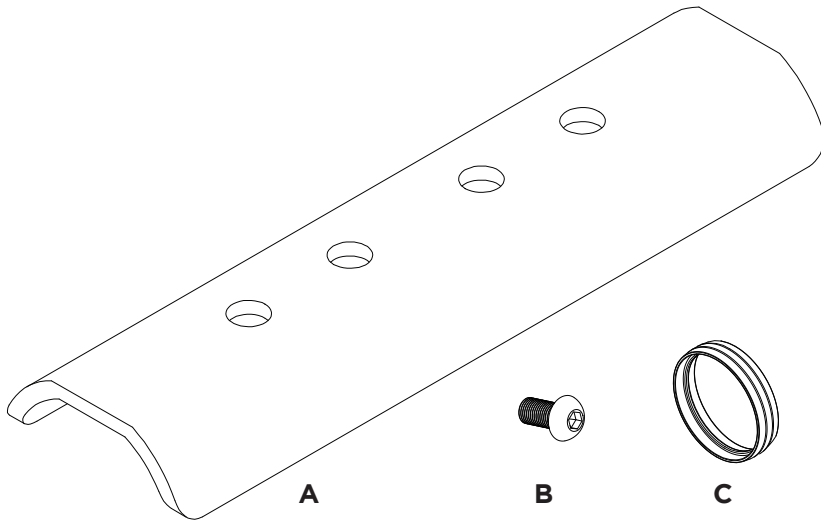


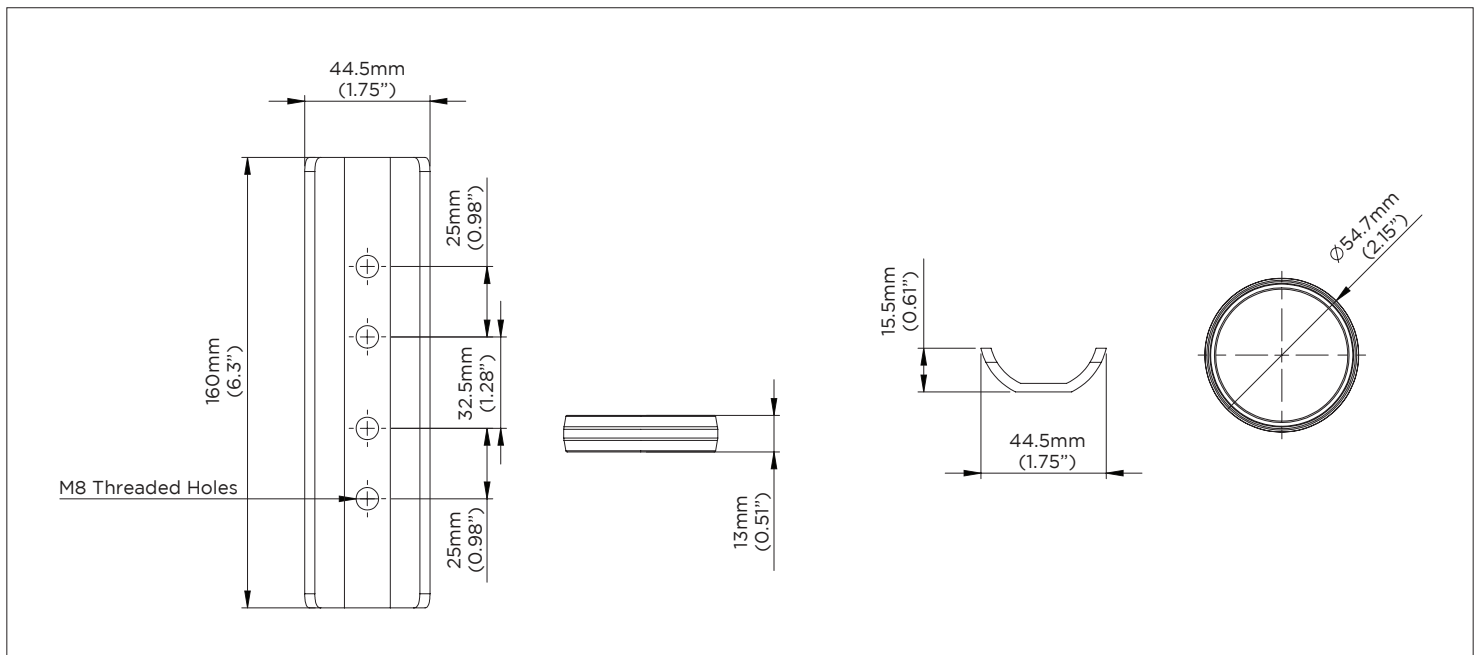
# Pole Extension Kit

### COMPONENT CHECKLIST

Item	Name	QTY
A	Joiner Plate	2
B	M8 x 12mm Screw	8
C	Joiner Ring	1

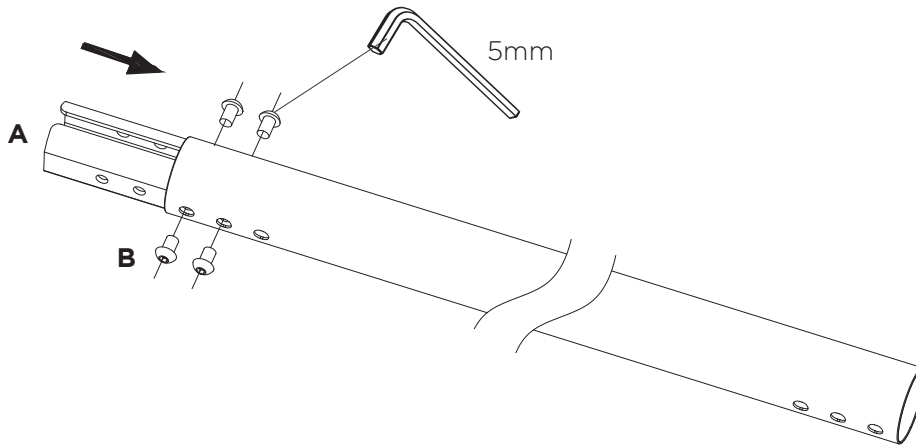


### PRODUCT DIMENSIONS

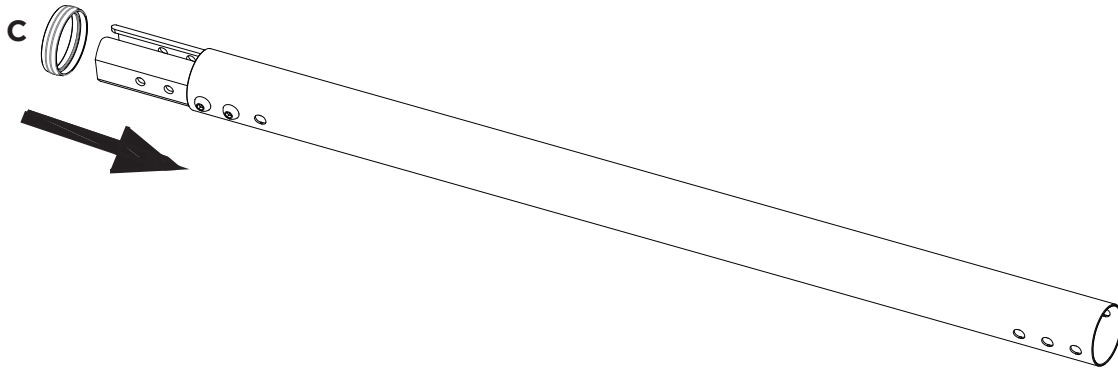


# INSTALLATION INSTRUCTION

1. Fasten joiner plate to pole end



2. Slip joiner ring onto pole end



3. Attach additional pole

