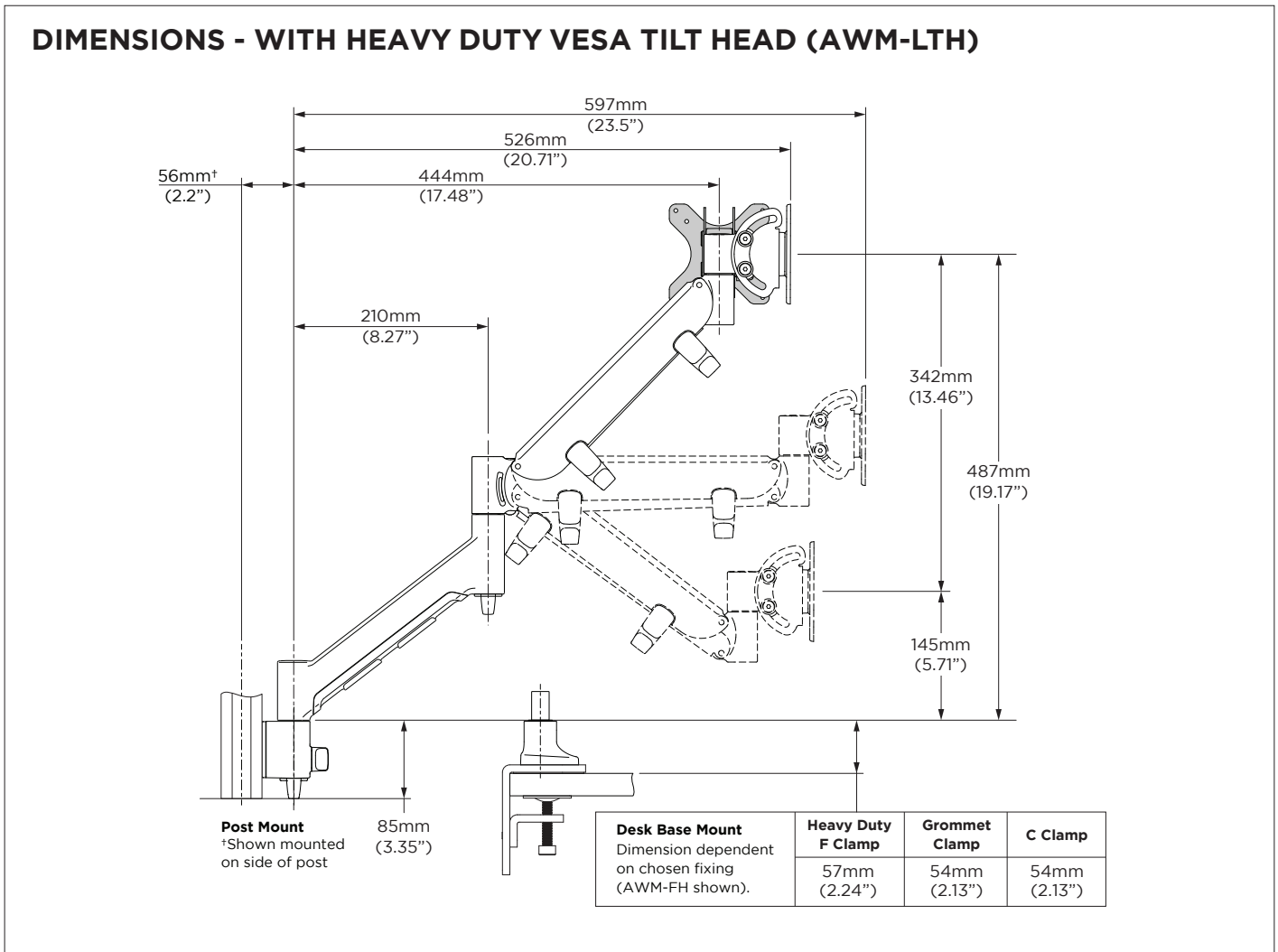
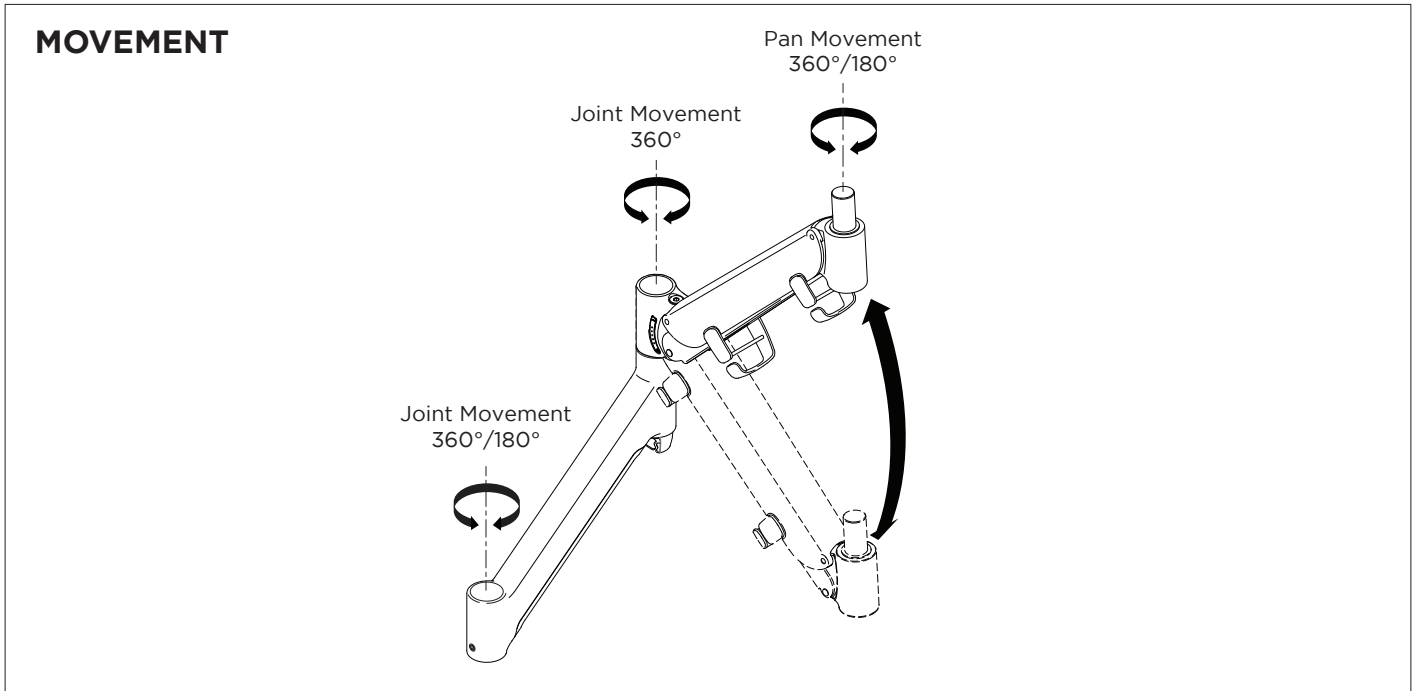
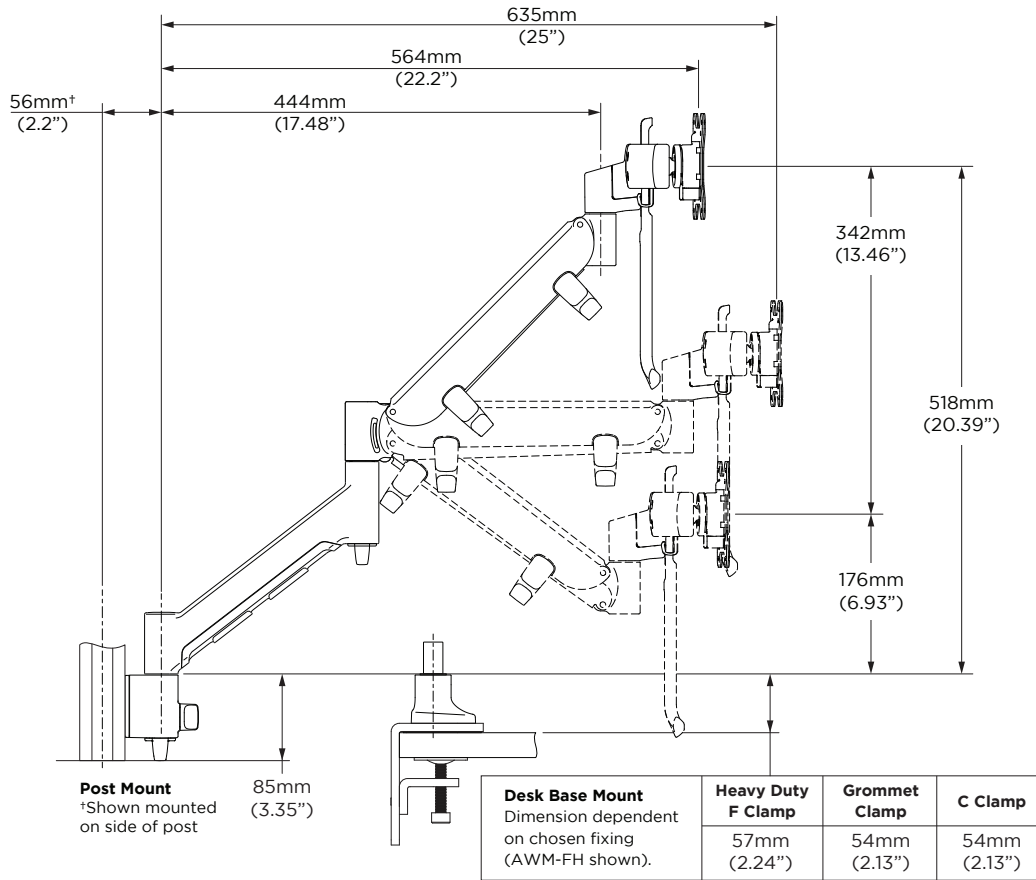


Heavy Duty Dynamic Arm



DIMENSIONS - WITH DUAL CROSSBAR (AWM-LR)



FEATURES

- Counterbalanced vertical adjustment for larger, heavier monitors.
- Compatible with AWM-LTH and AWM-LR.
- Tension gauge makes installation of multiple arms faster.
- Integrated 180° rotation limiter to prevent interference with desk mounted panels and dividers.
- Generous cable management guides cables discreetly down the arm to the work surface.

Monitor weight range

Desk Base Mount 6 - 16kg (13 - 35lb)*

Post Mount 6 - 14kg (13 - 31lb)*

Horizontal Adjustment 444mm (17.48")

Vertical Adjustment 342mm (13.46")

*Monitor weight should be within the weight range of all modular elements that make up the complete monitor mounting solution.

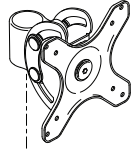
*Curved monitors, deep devices (such as all-in-one PCs) and offset VESA locations exert additional leverage that can exceed the capacity of the mount even though the monitor weight may be within the stated range. Please contact Atdec if you would like further information.

WARRANTY

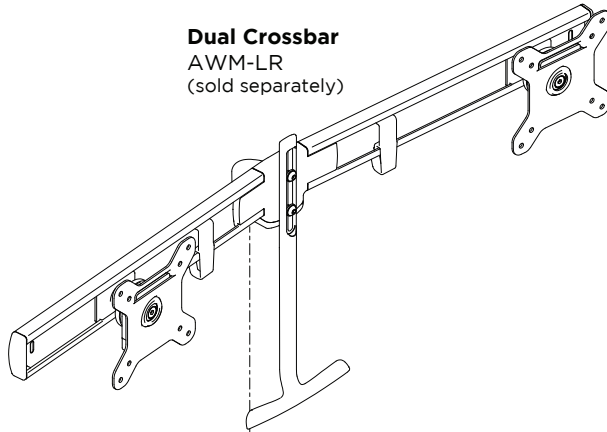
10 years limited

COMPATIBILITY

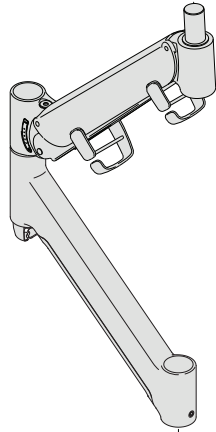
**Heavy Duty
VESA Tilt Head**
AWM-LTH
(sold separately)



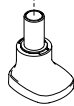
Dual Crossbar
AWM-LR
(sold separately)



**Heavy Duty
Dynamic Arm**
AWM-AHX



Arm Base
AWM-LB
(sold separately)



Arm Channel Clamp
AWM-LC
(sold separately)

