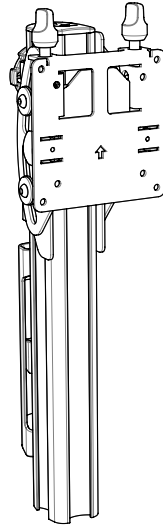


Post Mounted Heavy Duty Monitor Mount



FEATURES

- Heavy duty desk mounting solution for a single large, deep and/or curved display
- Tool free tilt adjustment for quick viewing angle selection
- Balanced tilt for easy adjustment of heavy displays
- 400mm Post (AWM-P40G) compatible with C Clamp (AWM-FC), Heavy Duty F Clamp (AWM- FH) or Grommet Clamp (AC-GC)
- Future extension of post height possible by using 400mm Stackable Post (AWM-P40X) with heavy duty F clamp (AWMS-BT40X-H) or Grommet Clamp (AWMS-BT40X-G)
- Quick connect display attachment

Monitor weight

Flat

4.5 - 25kg (10 - 55lb)*

Curved

4.5 - 18kg (10 - 40lb)*

Monitor size

24" - 55"

Max. overall monitor depth

300mm (12")

Tilt adjustment

+12° / -8°

Height adjustment

224mm (8.82")**

Micro adjustment

Fine tune height

+6mm/-6mm (+¼"/-¼")

Levelling

+3° / -3°

VESA mounting

75x75 | 100x100

Primary materials

Aluminium, Steel

*Offset VESA locations exert additional leverage that can exceed the capacity of the mount even though the monitor weight may be within the stated range. Please contact Atdec if you would like further information.

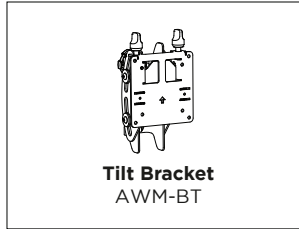
**Height adjustment reduced by 26mm (1") when C Clamp used

WARRANTY

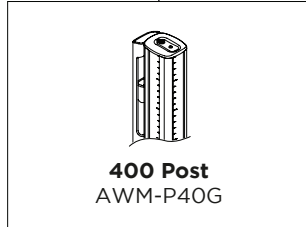
10 years limited

PRODUCT DIAGRAM

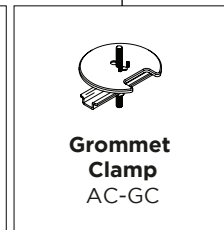
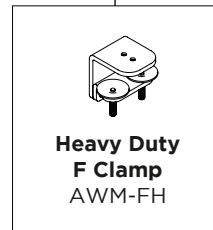
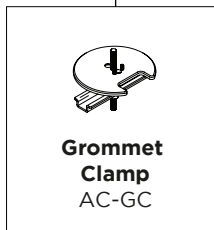
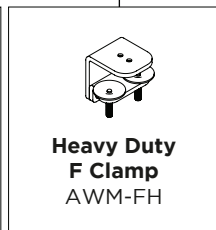
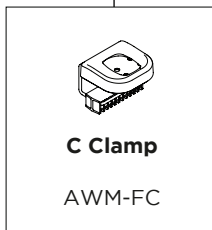
HEAD



POST



FIXING



PRODUCT CODE

AWMS-BT40-C

AWMS-BT40-H

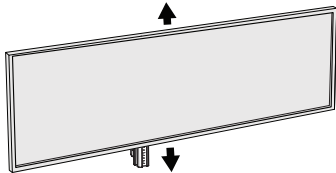
AWMS-BT40-G

AWMS-BT40X-H

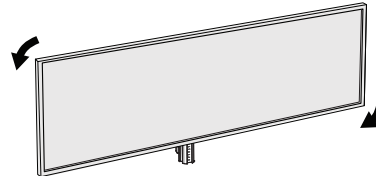
AWMS-BT40X-G

MOVEMENT

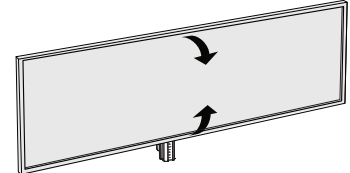
Micro adjustment - Fine tune height
+/- 6mm (0.25")



Micro adjustment - Levelling
+/- 3°

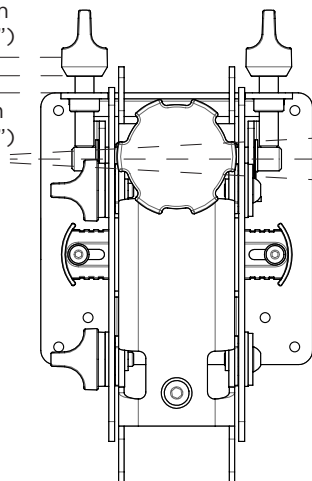


Tilt angle
+12°/-8°



Fine tune height adjustment

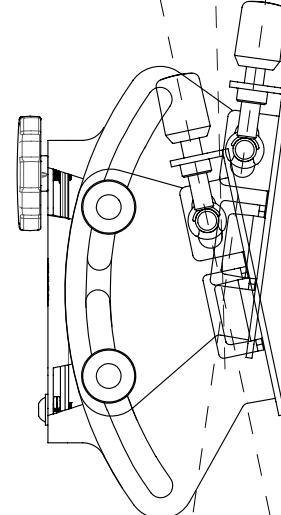
+6mm (0.25")
-6mm (0.25")



Levelling adjustment
+3°
-3°

BACK VIEW

Tilt angle +12° -8°

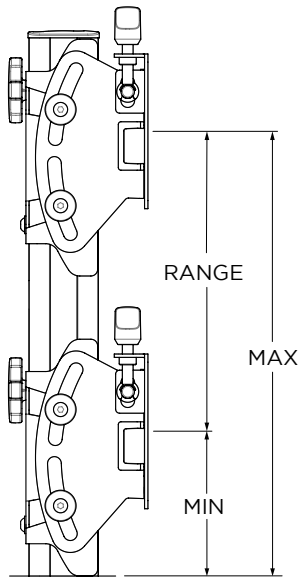


SIDE VIEW

DIMENSIONS - TILT BRACKET ON 400MM POST & 400MM STACKABLE POST

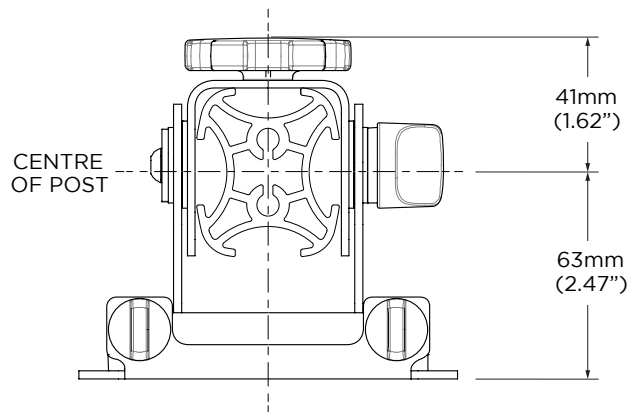
Important Note:

Measurements taken from centre of VESA mount.

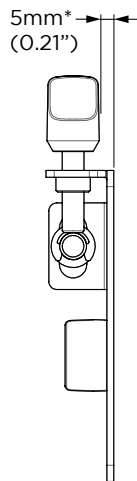


HEIGHT ON 400 POST	MIN	MAX	RANGE
Grommet Clamp (AC-GC)	108mm (4.23")	332mm (13.07")	224mm (8.78")
Heavy Duty F Clamp (AWM-FC)	108mm (4.23")	332mm (13.07")	224mm (8.78")
C Clamp (AWM-FC)	134mm (5.27")	332mm (13.07")	198mm (7.80")

DIMENSIONS - TILT BRACKET ON POST

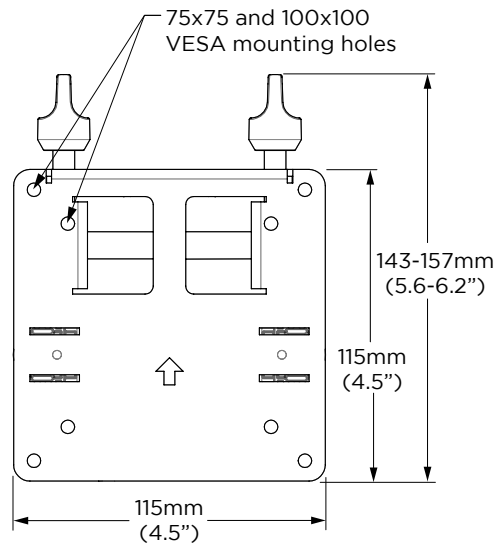


VESA BRACKET DIMENSIONS



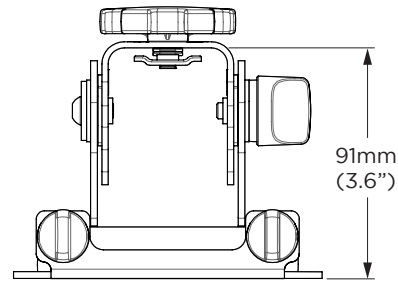
* Supplied 10mm spacers may be required for recessed monitor surfaces

SIDE VIEW

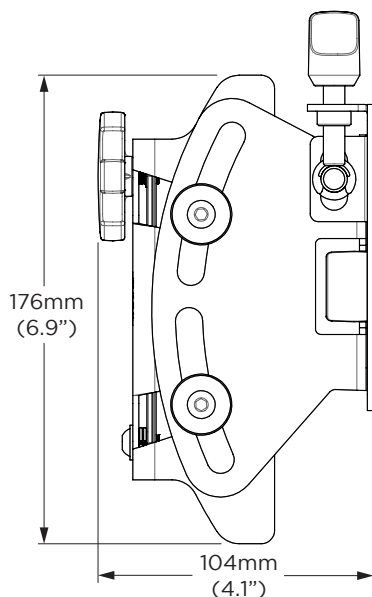


FRONT VIEW

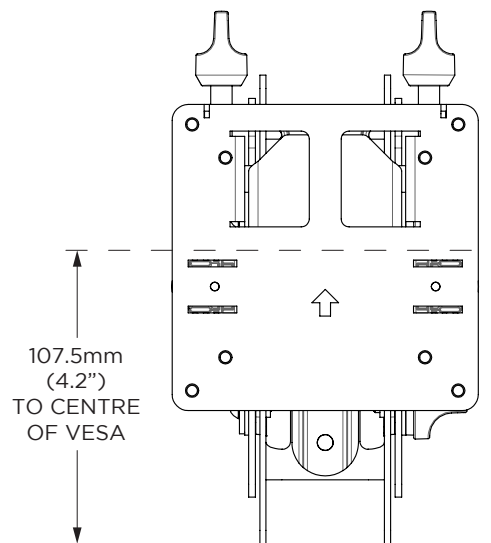
TILT BRACKET DIMENSIONS



TOP VIEW

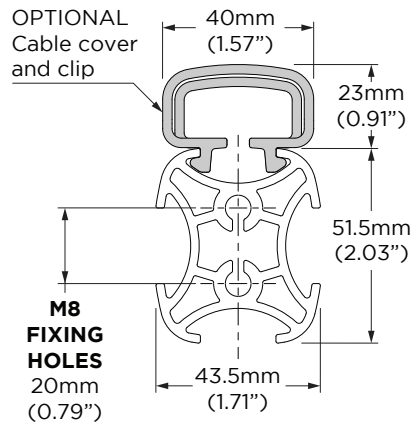


SIDE VIEW



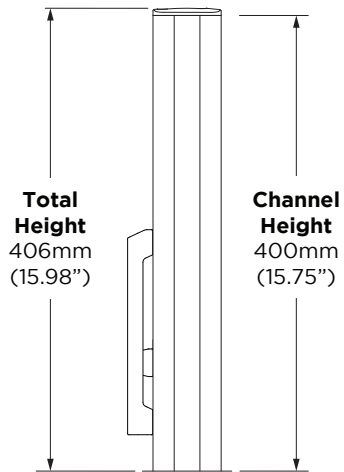
FRONT VIEW

DIMENSIONS - POST



TOP VIEW

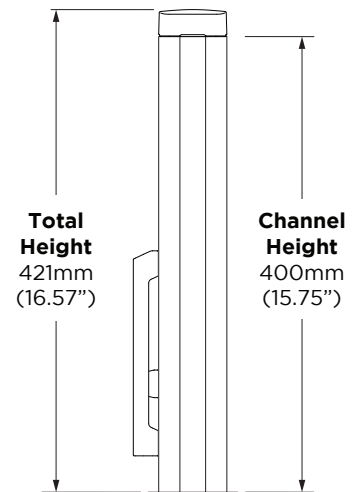
400 Post AWM-P40G



SIDE VIEW

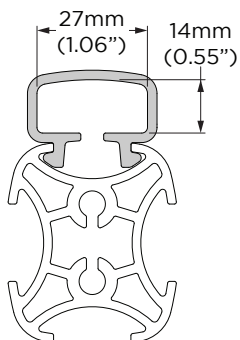
AWM Post 40 Stackable AWM-P40X

NOTE:
Not compatible with C Clamp (AWM-FC) when stacked



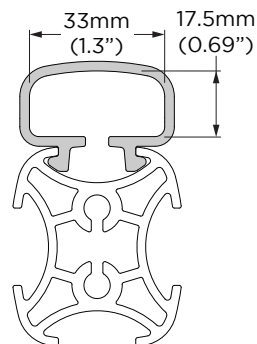
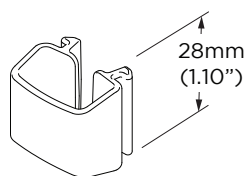
SIDE VIEW

DIMENSIONS - CABLE MANAGEMENT



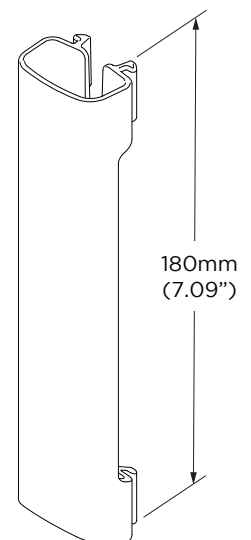
CABLE CLIP - TOP VIEW

NOTE: Fits approximately six 7mm ($\frac{1}{8}$ ") cables



CABLE COVER - TOP VIEW

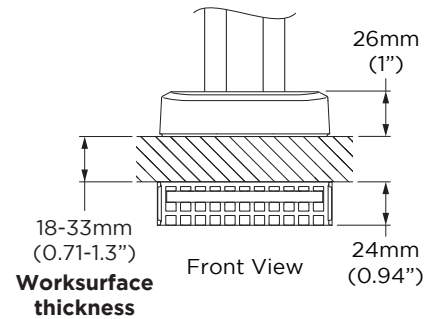
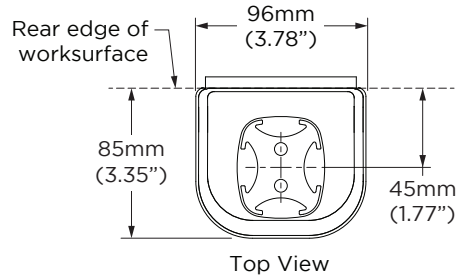
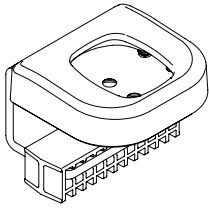
NOTE: Fits approximately ten 7mm ($\frac{1}{8}$ ") cables



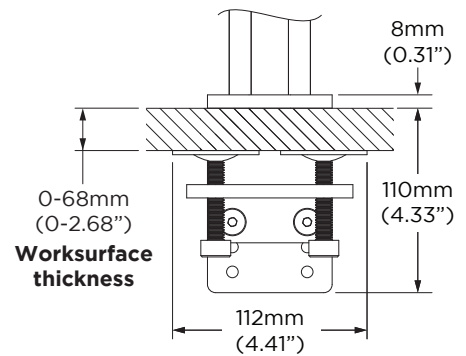
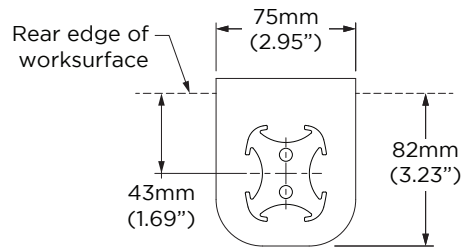
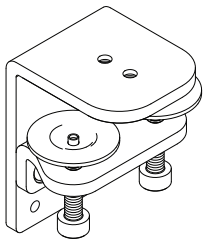
DESK FIXING

Below are the fixing options. For more information and detailed specifications for these products please see the separate Technical Specifications available on the Atdec website.

C Clamp AWM-FC



Heavy Duty F Clamp AWM-FH



Grommet Clamp AC-GC

