



Ceiling Mount | Dual back to back accessory TH-1040-CT-B2B

The Telehook TH-1040-CT-B2B is an accessory kit that enables attachment of the second screen to the TH-1040-CTS and TH-1040-CTL ceiling mounts in a dual back-to-back configuration.



Mounting hole pattern:
75mm x 75mm
100mm x 100mm
200mm x 100mm
200mm x 200mm

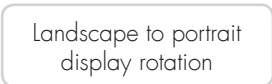
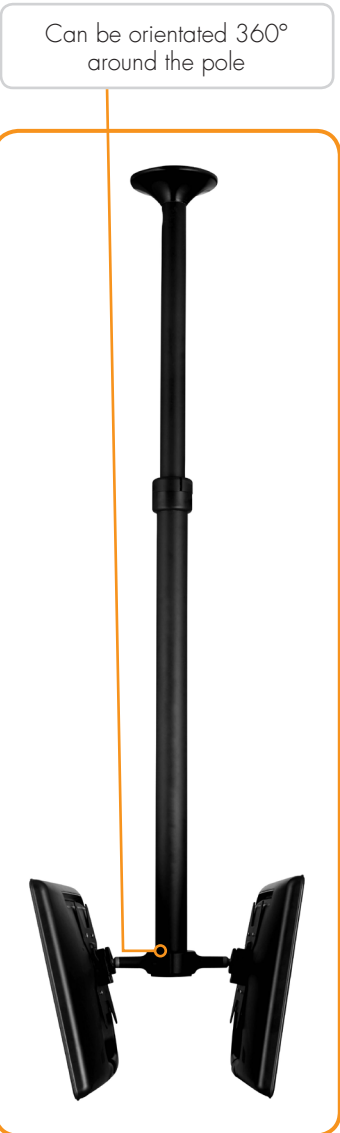


Maximum weight carrying capacity:
25kg (55lbs)



Product key features:

- Designed for use with the TH-1040-CTS & TH-1040-CTL ceiling mounts
- Durable materials: aluminium and steel
- All mounting hardware included



Atdec Global www.atdec.com.au
Atdec North America www.atdec.com

Product information

Product Code	Load capacity	Material	Colour
TH-1040-CT-B2B	25kg (55lbs) per mount	Aluminium & Steel	Black

Package information, single unit

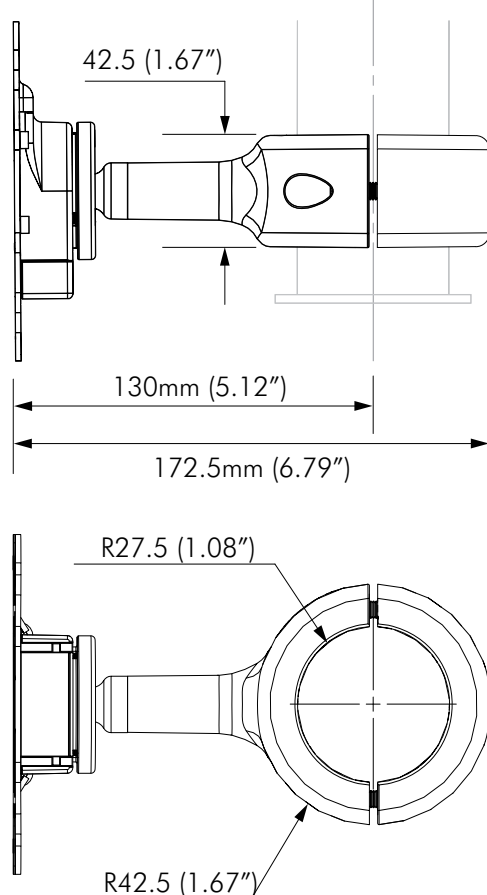
Size (L x W x H)	Ship weight	UPC code	Contents
22.5cm x 22.5cm x 9.5cm (8.9" x 8.9" x 3.5")	1.25kg (2.75lbs)	881493006041	All hardware required for installation supplied

Package information, master pack

Size (L x W x H)	Ship weight	UPC code	Units per master pack
116.5cm x 24cm x 20cm (45.9" x 9.4" x 7.9")	13.66kg (30.05lbs)	881493006058	10

Technical drawings

Dimensions



Note: Refer to the TH-1040-CTS and TH-1040-CTL Technical Specifications for pole dimensions.

