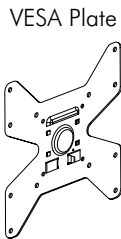


Component Checklist



Hardware



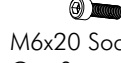
Security Screw
(optional)



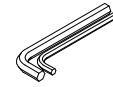
M6/8 Spacer (x4)



M4/5 Washer (x4)



M6x20 Socket
Cap Screw (x2)



5mm/3mm
Allen Keys
(x1 each)



M4/5 Spacer (x4)

Display Mounting Screws



M4x16/25mm
(x4 each)



M5x16/25mm
(x4 each)



M6x16/30mm
(x4 each)

NOTE: Phillips-head
screwdriver not supplied

IMPORTANT INFORMATION:

! IMPORTANT - Install Telehook 1040 Additional Mount Accessory as per Installation Instructions.

! This product is to be installed in conjunction with TH-1040-CTS and TH-1040-CTL Ceiling Mounts only.

! The manufacturer accepts no responsibility for incorrect installation.

Step 1. Check Components

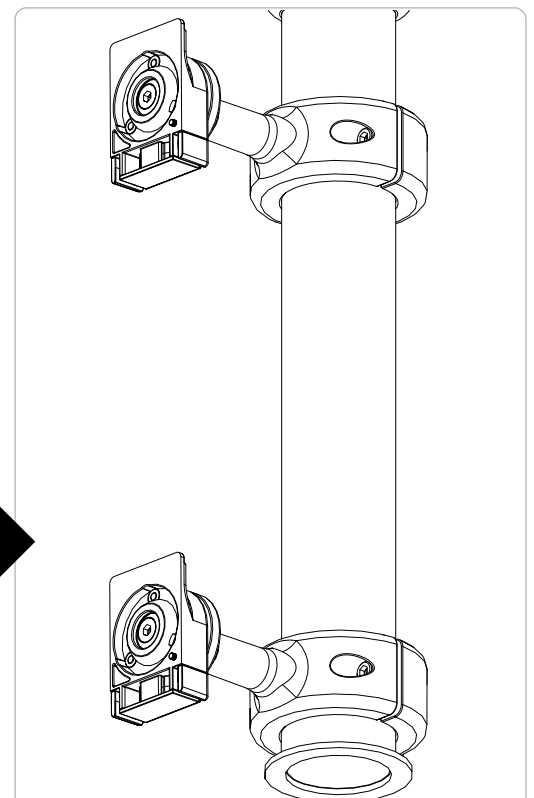
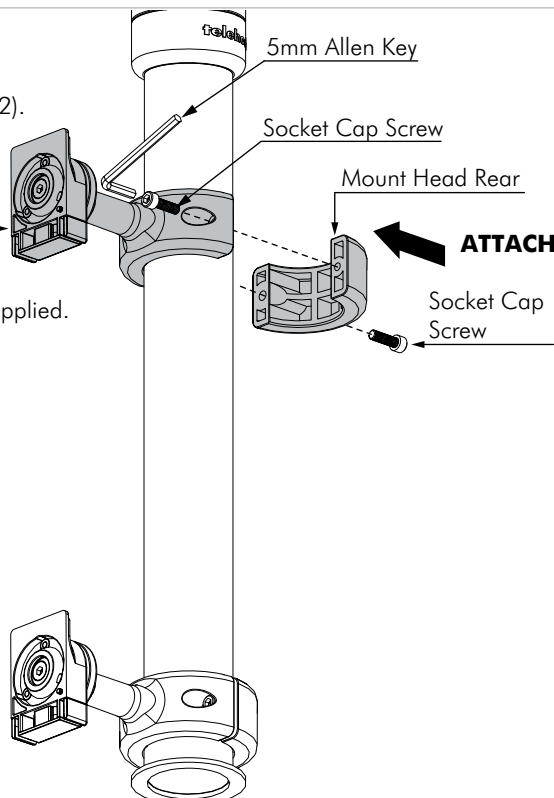
Check you have received all parts against the Component Checklist and Hardware above.

Step 2. Install Mount Head Accessory on TH-1040-CTS or TH-1040-CTL

Attach Mount Head Rear
to Mount Head Accessory
with Socket Cap Screws (x2).

Mount Head Accessory

Use the 5mm Allen Key supplied.



Refer to TH-1040-CTS/TH-1040-CTL Installation Instructions, Step 8. Attach VESA Plate to Display.

Installation Complete

