



Flat screen wall mount | full motion TH-1040-VFM

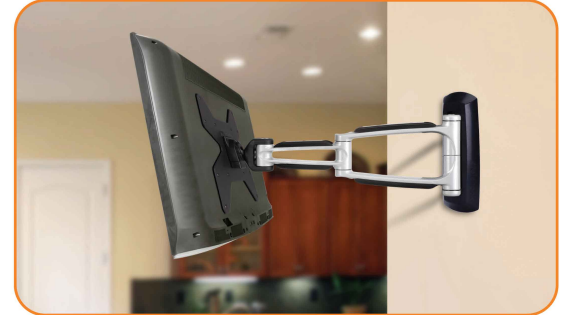


Mounting hole pattern:  
75mm x 75mm  
100mm x 100mm  
200mm x 100mm  
200mm x 200mm



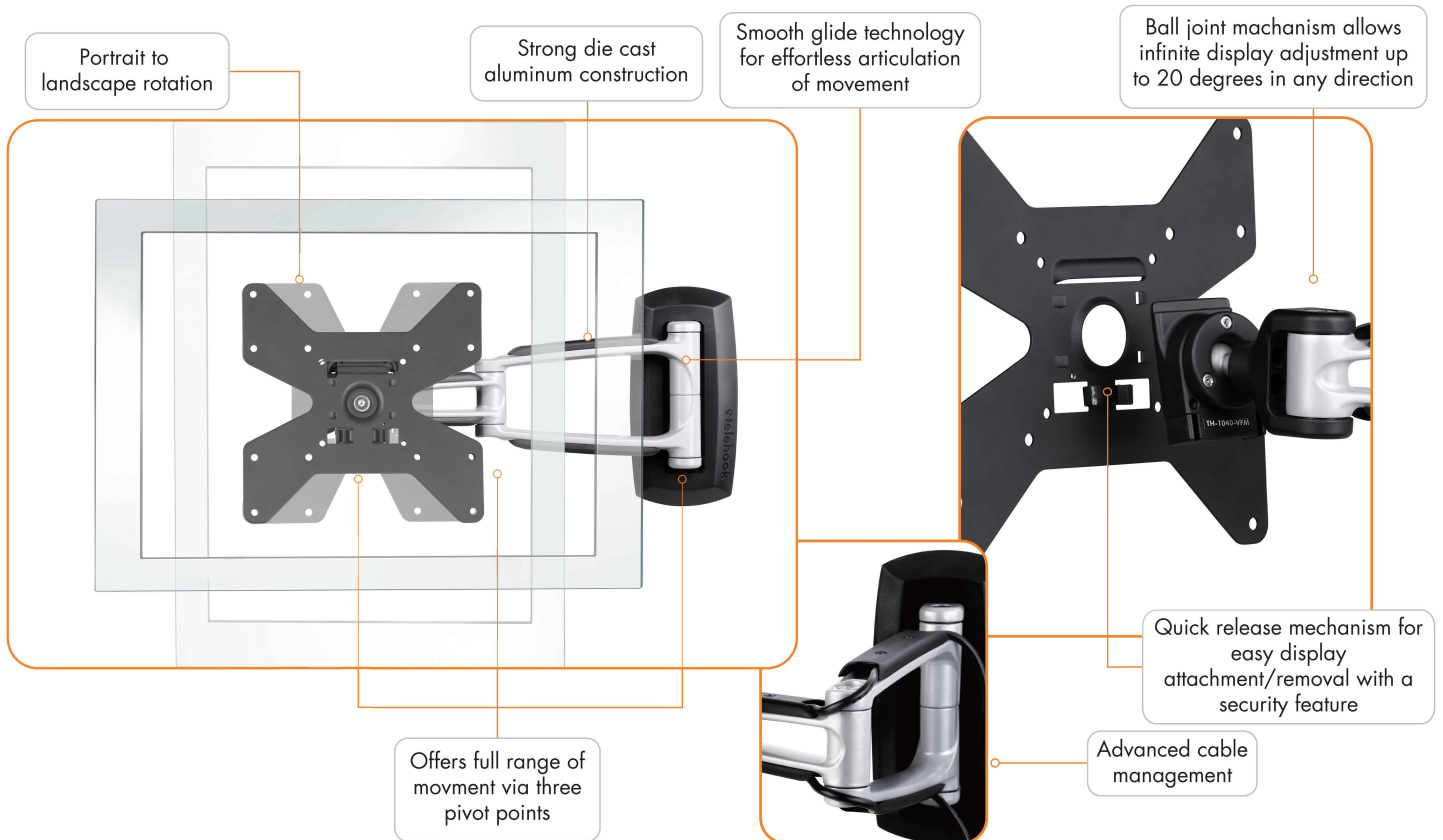
Maximum weight carrying capacity:  
25kg (55lbs)

The TH-1040-VFM offers sophisticated technology alongside superior aesthetics. Made from die cast aluminium, this mount has three pivot points and a ball joint mechanism to give you infinite adjustment and complete control over tilt, pan, and portrait to landscape rotation. Telehook's Smooth Glide™ thrust bearing technology allows the display to be moved smoothly and effortlessly, even with a heavy display. This mount comes pre-assembled for quick and easy installation, with advanced cable management to give you a professional finish. The quick attachment/quick release mechanism allows you to install and detach your display in seconds.



### Product key features:

- Contemporary design
- Offers a full range of motion for any viewing angle
- Comes pre-assembled for quick and easy installation
- Infinite display adjustment of 20° in any direction
- Portrait to landscape rotation
- Maximum distance from wall: 455mm (17.91")
- Minimum distance from wall: 106mm (4.17")
- Quick attachment/quick release mechanism with security features
- Advanced cable management
- Comes with all mounting hardware for masonry and timber stud installation



Atdec North America [www.atdec.com](http://www.atdec.com)  
Atdec Global [www.atdec.com.au](http://www.atdec.com.au)

## Product information, single unit

Model code	Load capacity	Material	Color
TH-1040-VFM	25kg (55lbs)	Steel/Aluminum	Silver with Black

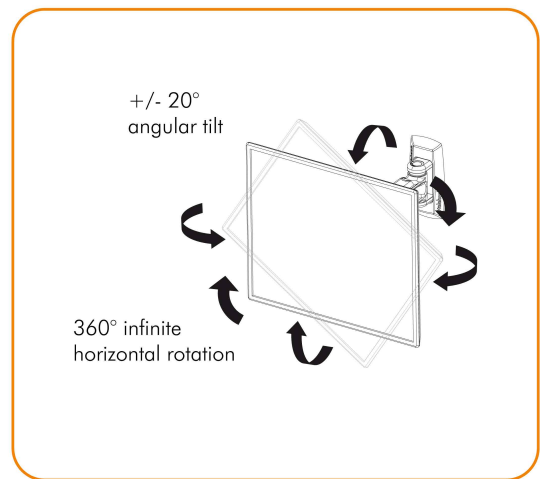
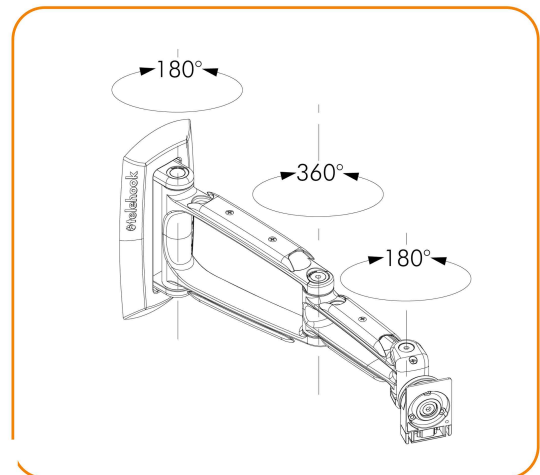
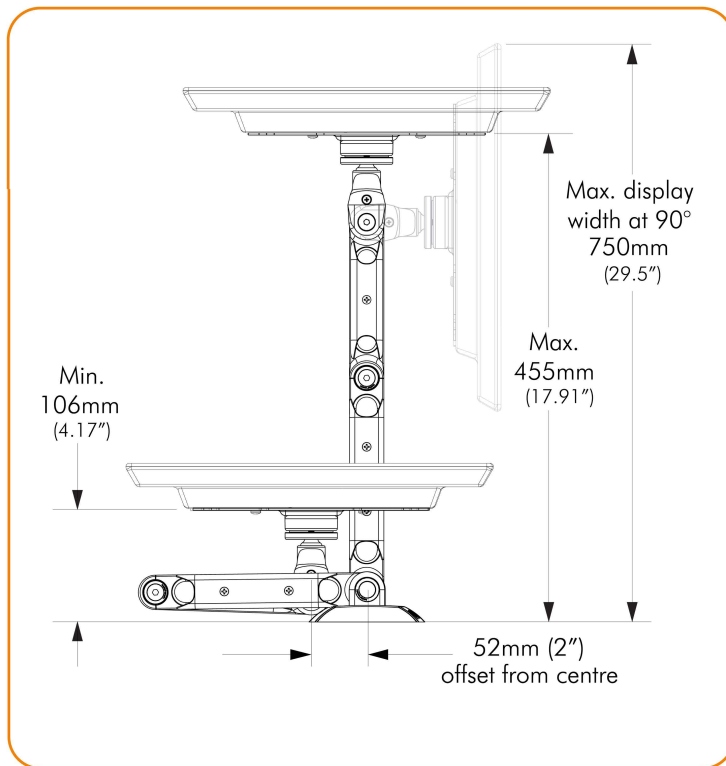
## Package information, single unit

Size	Ship weight	UPC code	Contents
32mm x 26.5mm x 15mm (12.5" x 10.5" x 6")	3.2kg (7.2lbs)	881493004702	All hardware required for installation supplied

## Package information, master pack

Size	Ship weight	UPC	Units per master pack
64mm x 35mm x 29mm (13.5" x 11.25" x 25")	14kg (30.2lbs)	881493004719	4

## Technical drawings



Atdec mounts are designed, developed and tested in Australia. We manufacture an extensive range of display and projector mountings for a variety of user types and situations. While all efforts have been made to ensure the information in this brochure was correct as of the date of printing, we reserve the right to change specifications without notice. Please refer to the web site for our full range along with the latest details on specifications, compatibility and dealer location. Atdec and Telehook are registered trademarks with all rights reserved. Copyright July 2011 V2.0



Atdec North America [www.atdec.com](http://www.atdec.com)  
Atdec Global [www.atdec.com.au](http://www.atdec.com.au)