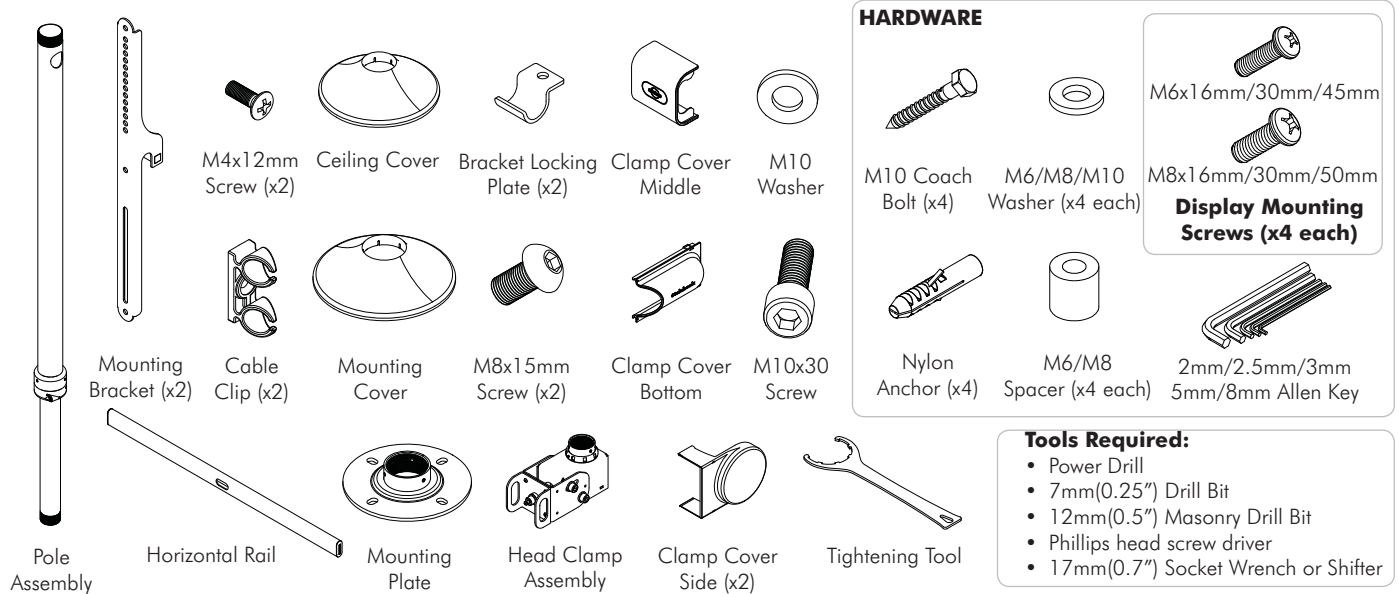


Component Checklist



IMPORTANT INFORMATION:

! IMPORTANT - Install Telehook Ceiling Mount as per installation instruction.

! This product supports a maximum load of 65kg (143lbs.).

! This product has a universal mounting hole pattern that suits a broad range of TV's:

From 200-800mm in width and 200-500mm in height.

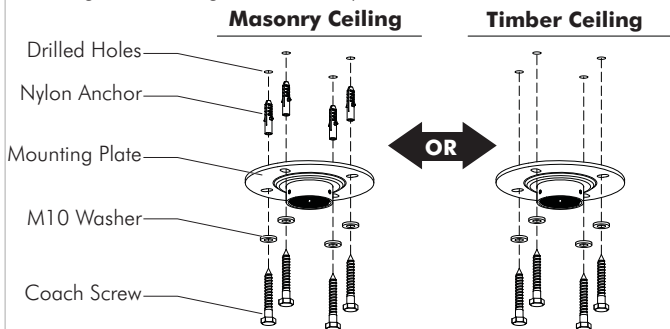
! The manufacturer accepts no responsibility for incorrect installation.

Step 1. Check Components

Check you have received against the component checklist and hardware above.

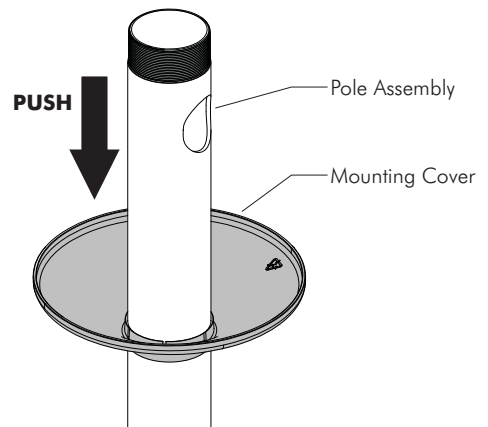
Step 2. Install Mounting Plate to the ceiling

Using the Mounting Plate as a template, mark and drill 4 holes.

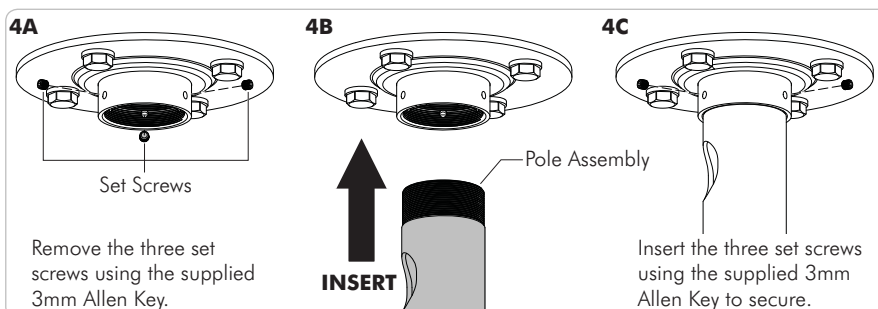


NOTE: Drilled hole sizes,
For Masonry Ceiling, Ø12mm (0.5") and 70mm (2.75") deep.
For Timber Ceiling, Ø7mm (0.75").

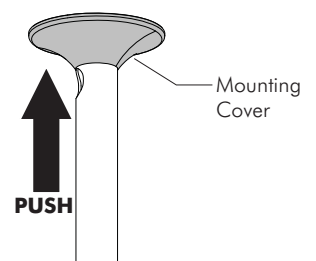
Step 3. Install Mounting Cover



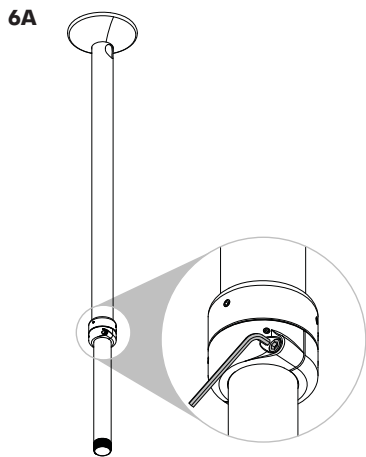
Step 4. Attach Pole Assembly to Base Plate



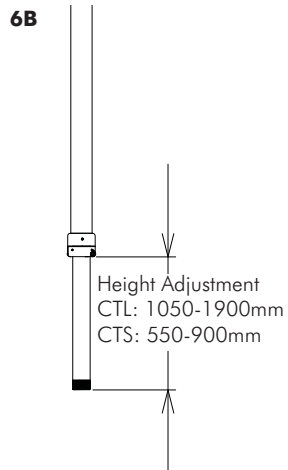
Step 5. Position Mounting Cover



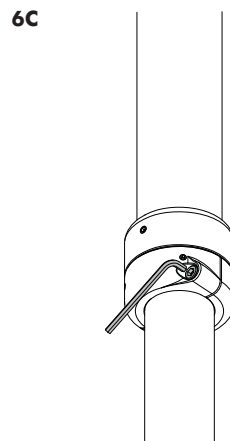
Step 6. Set the Height of the Pole



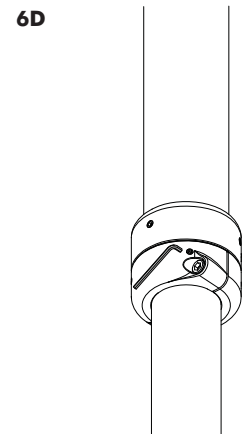
Whilst supporting the lower half of Pole Assembly loosen the Socket Cap Screws (x2) using the supplied 5mm Allen Key.



Slide Pole Assembly to the desired height.



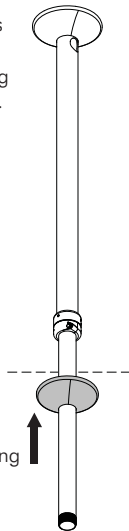
Tighten the Socket Cap Screws (x2) to set the height using the supplied 5mm Allen Key.



If necessary, centralise the Pole Joint by tightening the Set Screws (x2) to suit using the 2.5mm Allen Key.

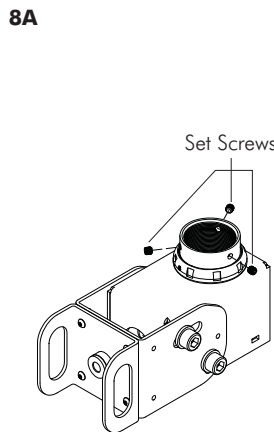
Step 7. Install the Ceiling Cover

If the lower pole hangs below a suspended ceiling, push the ceiling cover up to the ceiling.

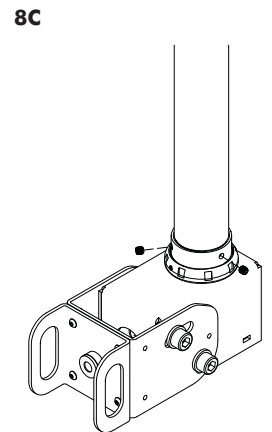
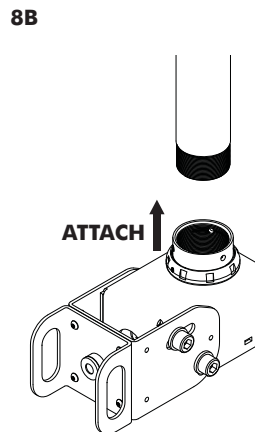


Push up to the ceiling

Step 8. Install the Clamp Head



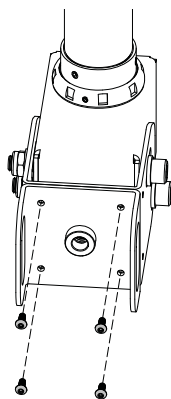
Loosen the three set screws using the supplied 3mm Allen Key.



Secure the collar with the three set screws using the supplied 3mm Allen Key.

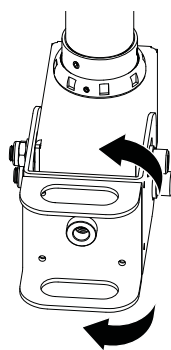
Step 9. Install the Horizontal Rail

9A. To Set Orientation



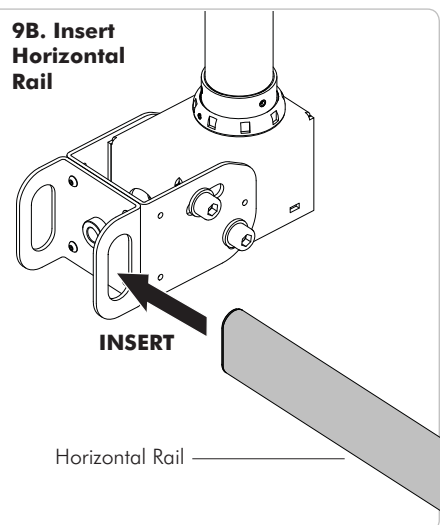
1. Loosen the 4 screws using the supplied 2.5mm Allen Key.

NOTE: The rail mount is factory set in the horizontal axis.



2. Rotate the head clamp 90° and insert the 4 screws again using the supplied 2.5mm Allen Key.

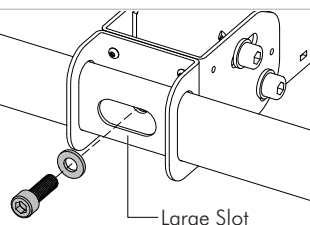
9B. Insert Horizontal Rail



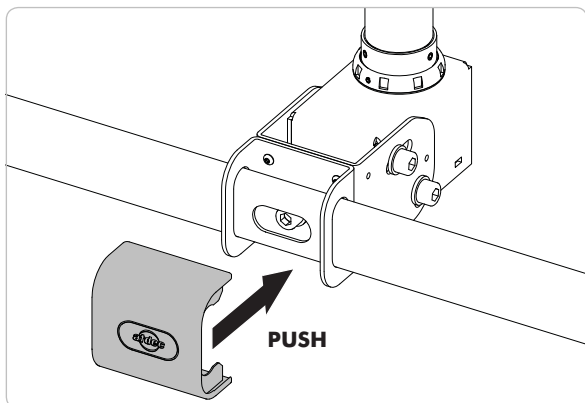
Horizontal Rail

9C. Secure Horizontal Rail

1. Make sure the large slot of Horizontal Rail is facing front.
2. Align the holes of the Horizontal Rail and Head Clamp.
3. Lock in place with M10 Screw and Washer using the supplied M8 Allen Key.

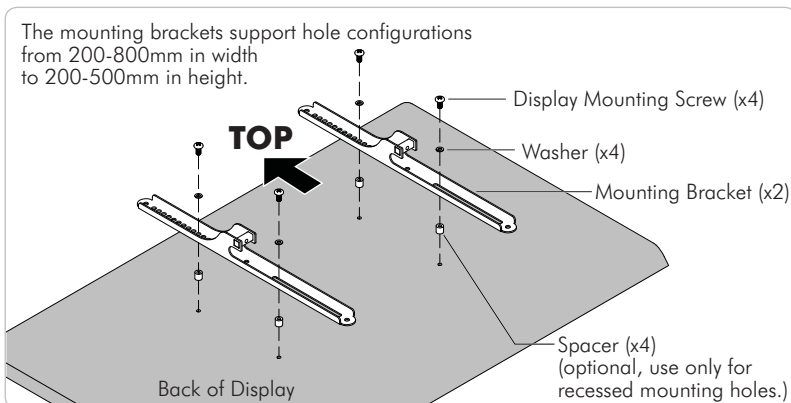


Step 10. Install the Head Clamp Front Cover

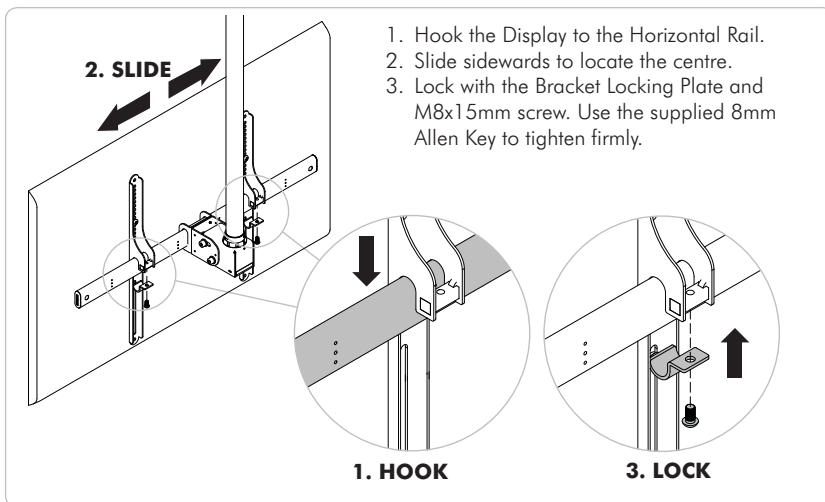


Step 11. Attach Mounting Brackets to the Display

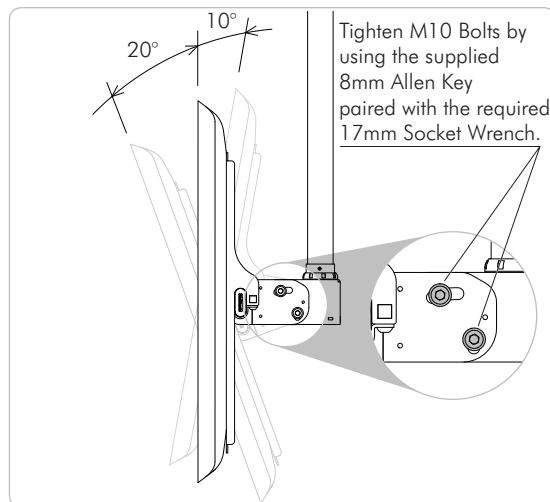
The mounting brackets support hole configurations from 200-800mm in width to 200-500mm in height.



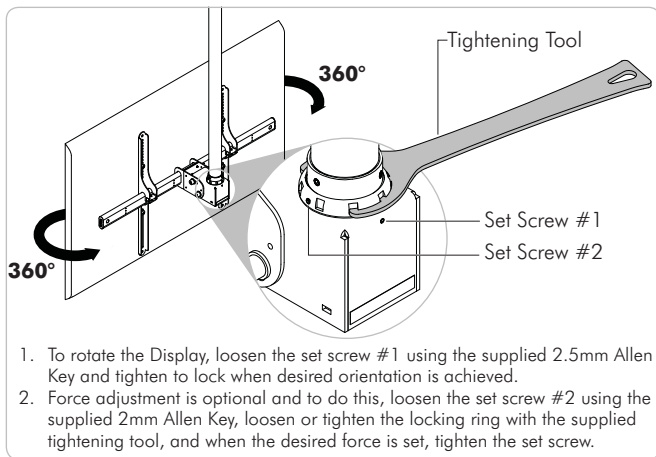
Step 12. Attach the Display to the Horizontal Rail



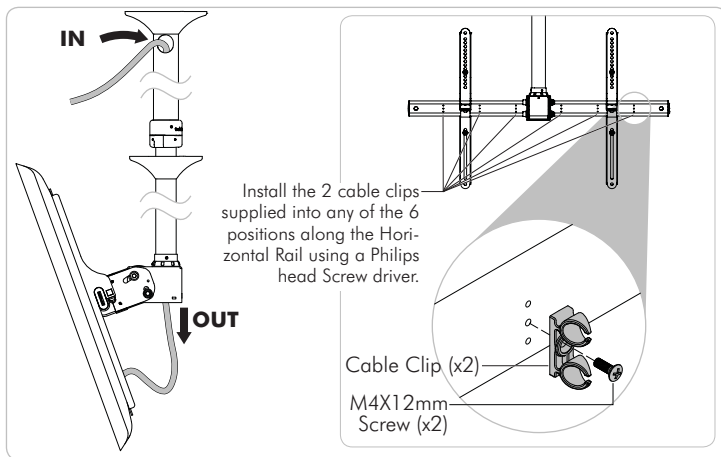
Step 13. Tilt Adjustment



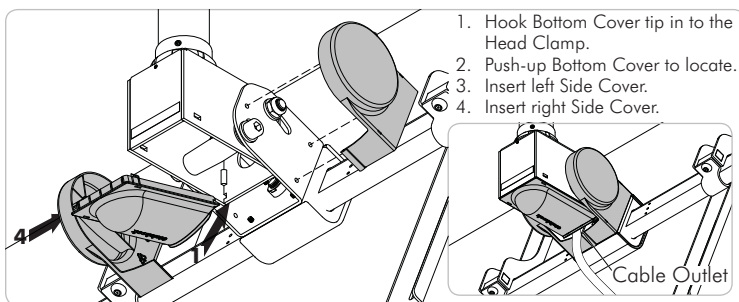
Step 14. Rotational Adjustment



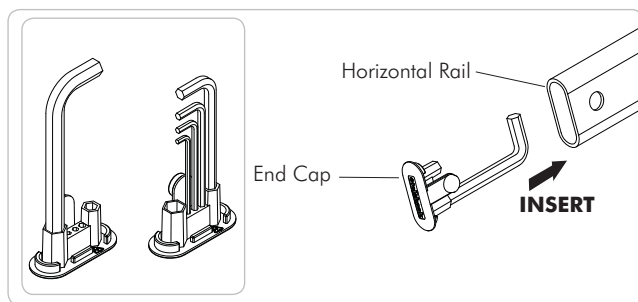
Step 15. Cable Management



Step 16. Put on Clamp Covers



Step 17. Store Supplied Allen Keys



Installation Complete



No portion of this document or any artwork contained herein should be reproduced in any way without the express written consent of Atdec Pty Ltd. Due to continuing product development, the manufacturer reserves the right to alter specifications without notice. Published 08.04.13 ©