











Professional mounting solutions for the home and office

Focus | Micro desk monitor mount VF-M

The Visidec Focus VF-M is designed for areas where space is limited but flexibility is key. It's elegant design and polished aluminum finish will add style and functionality to any workspace. This compact mount provides extensive adjustment including 360 degree rotation around the pole for easy screen sharing. Bolt through and desk clamp mounting options are included while cables are managed internally for a clean look with reduced clutter. The mount has facility to be upgraded with additional display and/or notebook arms for a truly integrated

-  Suits 75x75mm & 100x100mm mounting (100x200mm optional)*
-  max display weight: 8kg (17.5lbs)
-  Allows rotation around pole (optional fixed)
-  Adjustable tilt and pan
-  Suits monitors 12" or larger
-  Flexible desk mounting
-  Tool-less height adjustment
-  Adjustable screen orientation



Product key features:

- ✕ Designed for monitors 12" or larger up to 8kg (17.5lbs)
- ✕ Minimal 115mm (4.5") pole offset for high density installation
- ✕ Allows 360° rotation around the pole with facility for angle locking
- ✕ Adjustable tilt: +/-70°
- ✕ Adjustable pan: +/-70°
- ✕ Allows landscape to portrait screen rotation
- ✕ 345mm (13.5") height adjustment range
- ✕ Bolt through and desk clamp mounting options included
- ✕ Integrated cable management
- ✕ Comes with all mounting hardware
- ✕ Durable design with 10 year warranty



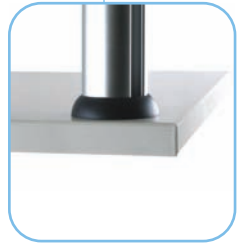
Sleek & contemporary design

360° rotation around the pole with optional locking

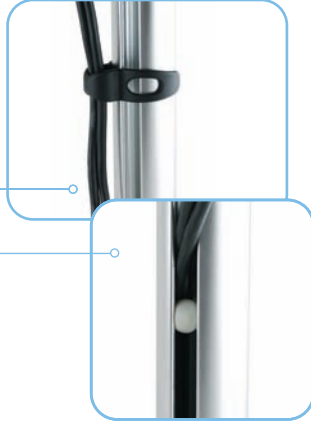
Tool-less height adjustment

Attachment head allows for screen tilt, pan & rotation

Bolt through & desk clamp mounting options included



Internal & external cable management options



Can be upgraded with additional notebook and/or display accessory arms



* 200x100 VESA mounting support via optional adaptor accessory



Atdec Global www.atdec.com.au
Atdec North America www.atdec.com

Product information, single unit

Load capacity	Material	Color
8kg (17.5lbs)	Aluminum	Polished

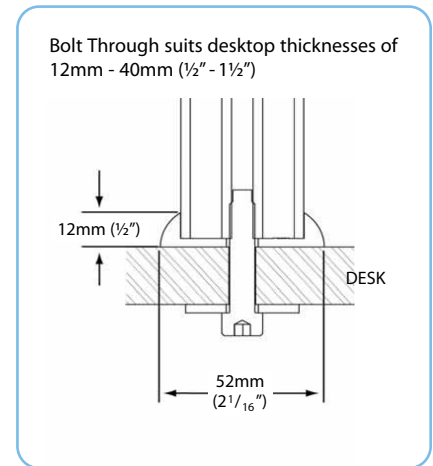
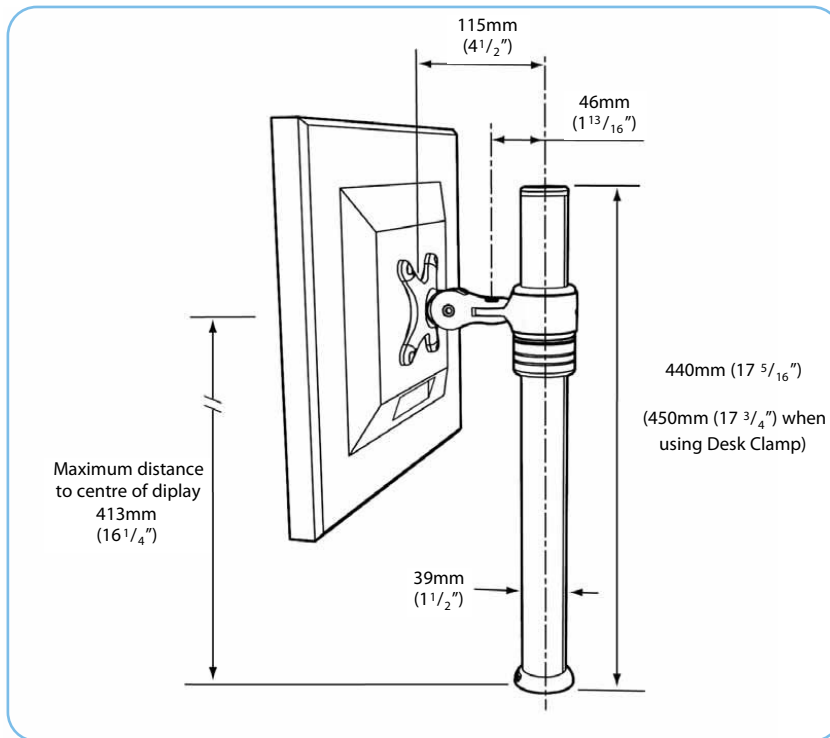
Package information, single unit

Size	Ship weight	UPC code	Contents
50cm x 22cm x 20cm (2" x 8" x 3.75")	2kg (5lbs)	881493004405	All hardware required for installation supplied

Package information, master pack

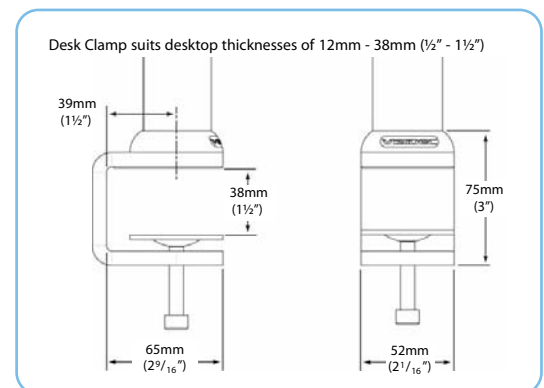
Size	Ship weight	UPC	Units per master pack
61cm x 51cm x 22cm (25" x 20.25" x 8.5")	14kg (29.8lbs)	881493004412	6

Technical drawings



Accessory Options

VF-AT-AA	Additional Display Arm
VF-AT-NK	Additional Notebook Arm



Atdec mounts are designed, developed and tested in Australia. We manufacture an extensive range of display and projector mountings for a variety of user types and situations. While all efforts have been made to ensure the information in this brochure was correct as of the date of printing, we reserve the right to change specifications without notice. Please refer to the website for our full range along with the latest details on specifications, compatibility and dealer location. Atdec and telehookare registered trademarks with all rights reserved. Copyright May 2011 V2.0



Atdec Global www.atdec.com.au
Atdec North America www.atdec.com