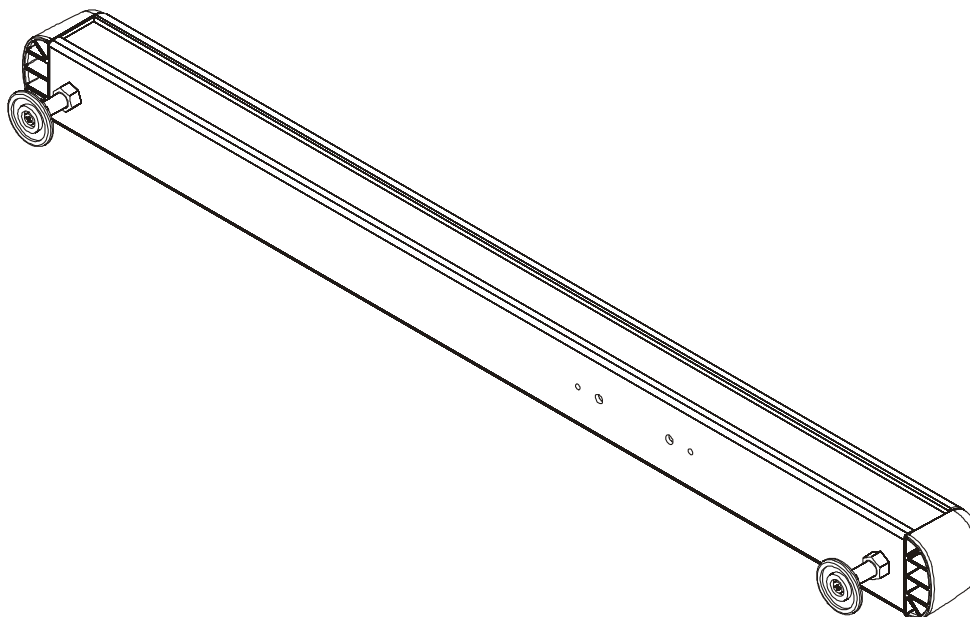

INSTALLATION INSTRUCTIONS



Leveling Feet Accessory

DISCLAIMER

Milestone AV Technologies and its affiliated corporations and subsidiaries (collectively "Milestone"), intend to make this manual accurate and complete. However, Milestone makes no claim that the information contained herein covers all details, conditions or variations, nor does it provide for every possible contingency in connection with the installation or use of this product. The information contained in this document is subject to change without notice or obligation of any kind. Milestone makes no representation of warranty, expressed or implied, regarding the information contained herein. Milestone assumes no responsibility for accuracy, completeness or sufficiency of the information contained in this document.

Chief® is a registered trademark of Milestone AV Technologies. All rights reserved.

! IMPORTANT SAFETY INSTRUCTIONS!

! WARNING: A WARNING alerts you to the possibility of serious injury or death if you do not follow the instructions.

! CAUTION: A CAUTION alerts you to the possibility of damage or destruction of equipment if you do not follow the corresponding instructions.

! WARNING: Failure to read, thoroughly understand, and follow all instructions can result in serious personal injury, damage to equipment, or voiding of factory warranty! It is the installer's responsibility to make sure all components are properly assembled and installed using the instructions provided.

! WARNING: Failure to provide adequate structural strength for this component can result in serious personal injury or damage to equipment! It is the installer's responsibility to make sure the structure to which this component is attached can support five times the combined weight of all equipment. Reinforce the structure as required before installing the component.

! WARNING: Exceeding weight capacity can result in serious personal injury or damage to equipment! It is the installer's responsibility to make sure the combined weight of all components does not exceed the maximum allowable weight of the mount to which this accessory is being installed.

! WARNING: Use this mounting system only for its intended use as described in these instructions. Do not use attachments not recommended by the manufacturer.

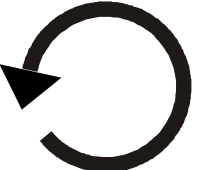
! WARNING: Never operate this mounting system if it is damaged. Return the mounting system to a service center for examination and repair.

! WARNING: Do not use this product outdoors.

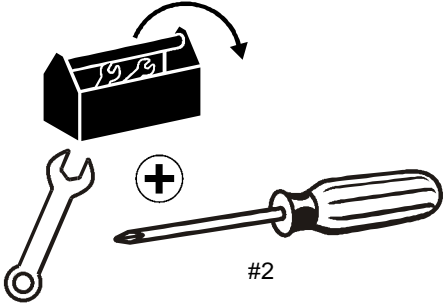
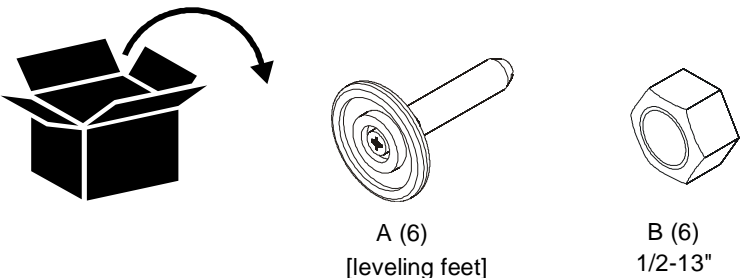
--SAVE THESE INSTRUCTIONS--

LEGEND

	Tighten Fastener
	Apretar elemento de fijación
	Befestigungsteil festziehen
	Apertar fixador
	Serrare il fissaggio
	Bevestiging vastdraaien
	Serrez les fixations

	Loosen Fastener
	Aflojar elemento de fijación
	Befestigungsteil lösen
	Desapertar fixador
	Allentare il fissaggio
	Bevestiging losdraaien
	Desserrez les fixations

TOOLS AND PARTS REQUIRED FOR INSTALLATION

 <p>1/2" #2</p>	 <p>A (6) [leveling feet] B (6) 1/2-13"</p>
--	---

ASSEMBLY

IMPORTANT ! : The FCA776 leveling feet are designed specifically for Chief's LVM Series Video Wall Mounts. Do not attempt to use FCA776 feet with any other product!

- Using a wrench, loosen the bolts and remove the four casters currently installed on the LVM cart. (See Figure 1)

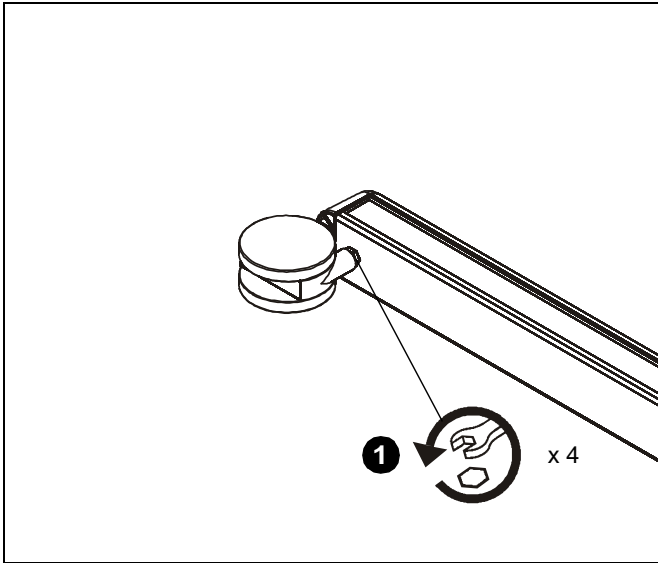


Figure 1

- Thread 1/2-13" hex nuts (B) onto leveling feet (A), if using leveling feature. (See Figure 2)

NOTE: If no leveling is required or desired, feet may be installed directly to legs without hex nuts.

- Install leveling feet (A) into mounting holes on bottom of LVM mount where casters were previously installed. (See Figure 2)

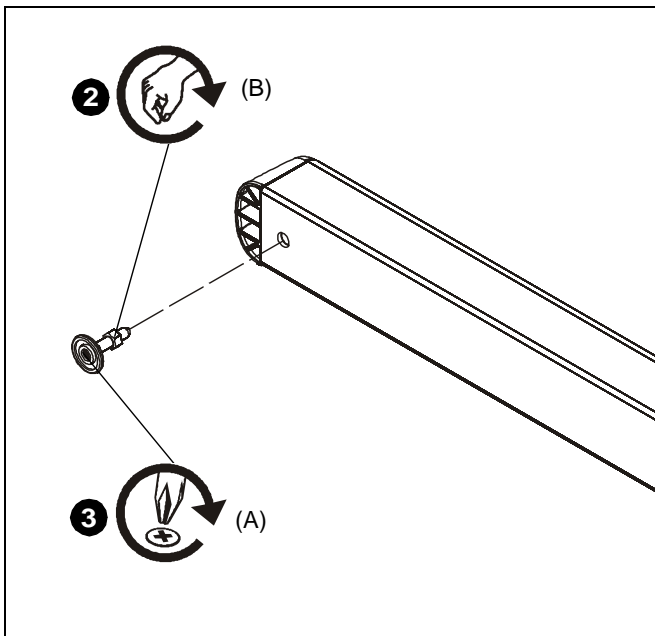


Figure 2

NOTE: If not leveling with hex nuts, tighten feet so that the feet are flush with the bottom of the legs of cart. (See Figure 3)

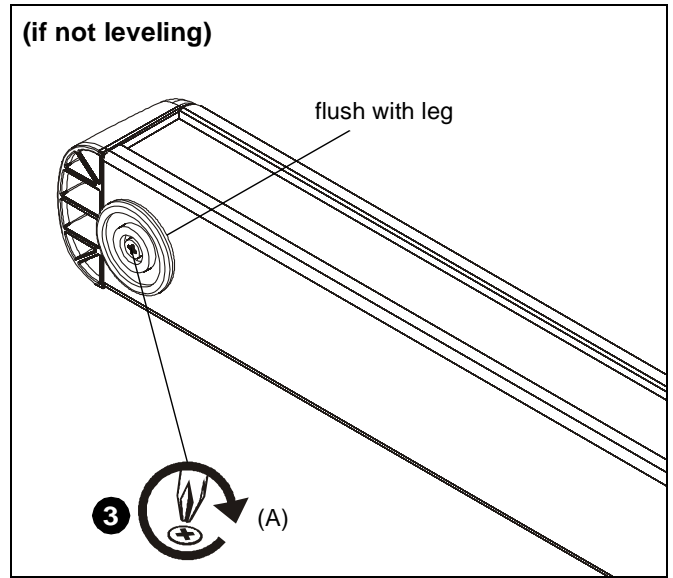


Figure 3

- After all feet (A) have been installed, use hex nuts (B) to adjust height level of each leg. (See Figure 4)

IMPORTANT ! : Hex nuts (B) must be flush with bottom of the legs of cart! (See Figure 4)

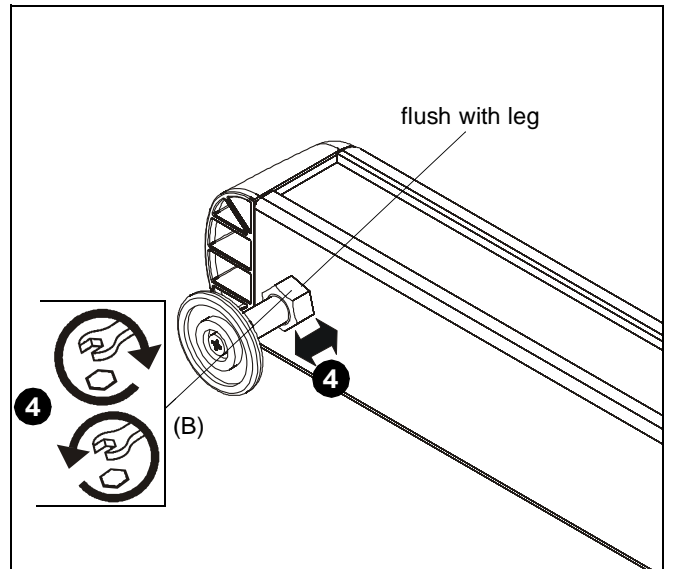


Figure 4

- Complete installation following LVM Series mount installation instructions.



Our Mounts. **Your Vision.**

Chief Manufacturing, a products division
of Milestone AV Technologies

8800-002227 REV 00

©2012 Milestone AV Technologies, a
Duchossois Group Company
www.chiefmfg.com

08/12

USA/International	A 6436 City West Parkway, Eden Prairie, MN 55344 P 800.582.6480 / 952.225.6000 F 877.894.6918 / 952.894.6918
Europe	A Franklinstraat 14, 6003 DK Weert, Netherlands P +31 (0) 495 580 852 F +31 (0) 495 580 845
Asia Pacific	A Office No. 1 on 12/F, Shatin Galleria 18-24 Shan Mei Street Fotan, Shatin, Hong Kong P 852 2145 4099 F 852 2145 4477

