
INSTALLATION INSTRUCTIONS

Small Flat Panel Ceiling Mount with Adjustable Column (FHP18-110)

The FHP is a sleek, Centris™ mounting system designed for all VESA® 75mm/100mm compliant displays. The mount includes an adjustable column, cable management, and a variety of screen positioning options. The all-metal mount is available in either silver or black.

The slender column on the mount is finely finished with easy adjustment between 12 inches and 18 inches in 1 inch increments. The snap on cable management cover, fitting snugly against the column, conceals unsightly cabling.

The mount rotates 360 degrees, allowing portrait or landscape mounting of your display. The friction-adjustable pivot points include 15 degrees of up and down tilt for customized movement.



BEFORE YOU BEGIN

- **Caution:** To prevent damage to the FHP, which could affect or void the Factory warranty, and to the equipment that will be attached to it, thoroughly study all instructions and illustrations before you begin the installation. Pay particular attention to the “Important Warnings and Precautions” on Page 1.
- The maximum weight to be installed on the FHP ceiling mount is 40 pounds (18.1 Kg)
- The FHP ceiling mount is designed to be installed using supporting framework. The structure to which the FHP ceiling mount is anchored must be capable of supporting *five times* the total weight of the mount and all attached equipment.
- If you have any questions about this installation, contact Chief Manufacturing at 1-800-582-6480.



IMPORTANT WARNINGS AND PRECAUTIONS!

WARNING: A **WARNING** alerts you to the possibility of serious injury or death if you do not follow the instructions.

CAUTION: A **CAUTION** alerts you to the possibility of damage or destruction of equipment if you do not follow the corresponding instructions.

- **WARNING: Improper installation can result in serious personal injury! Make sure that the structural members can support a redundant weight factor *five times* the total weight of the equipment: if not, reinforce the structure before installing the FHP.**
- **WARNING: Be aware also of the potential for personal injury or damage to the unit if it is not adequately mounted.**
- **WARNING: The installer is responsible for verifying that the ceiling to which the FHP is anchored will safely support the combined load of all attached components or other equipment.**
- **WARNING: The weight of the display placed on the FHP must not exceed 40 lbs. (18.1 kg), the maximum load capacity of the FHP.**
- **WARNING: Watch for pinch points. Do not put your fingers between movable parts.**
- **WARNING: Make sure the mount and brackets are correctly oriented.**
- **CAUTION:** Check the unit for shipping damage before you begin the installation.

TOOLS REQUIRED FOR INSTALLATION

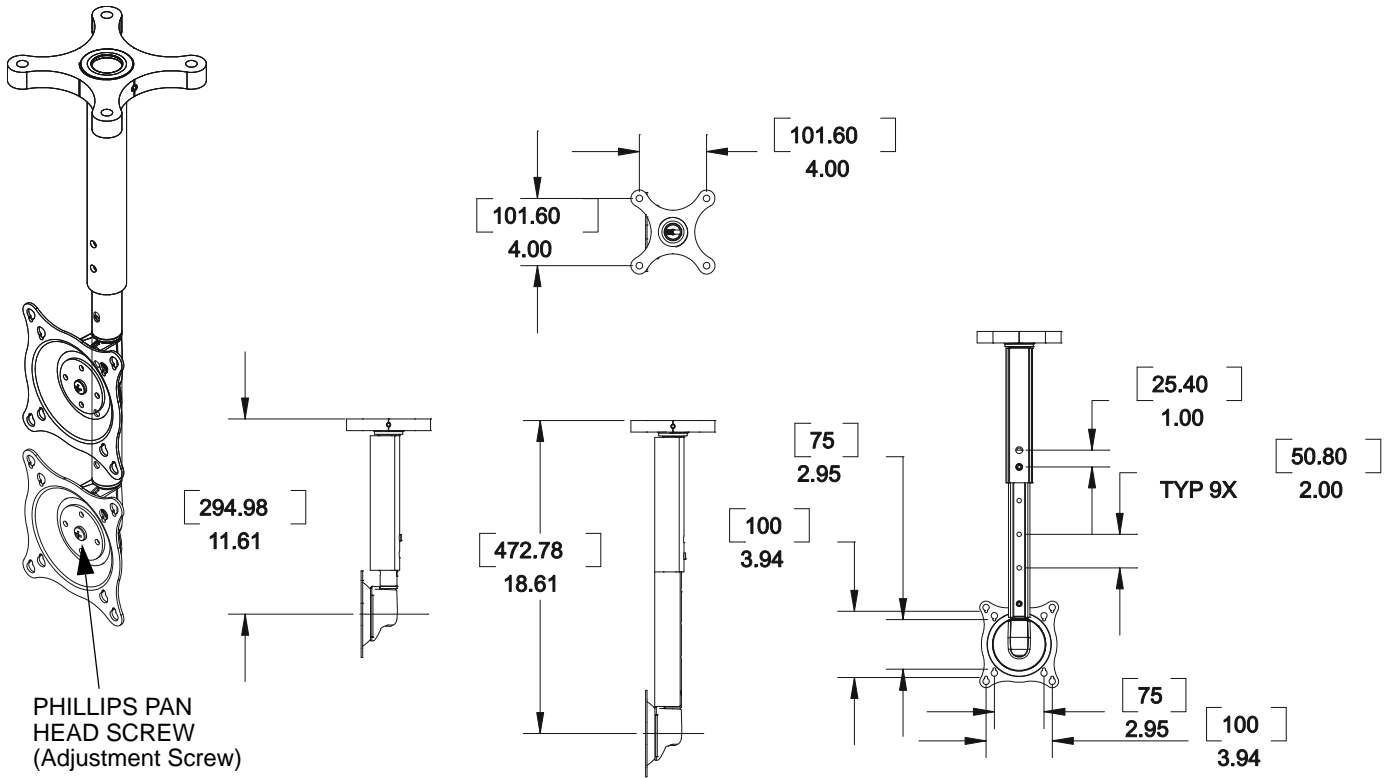
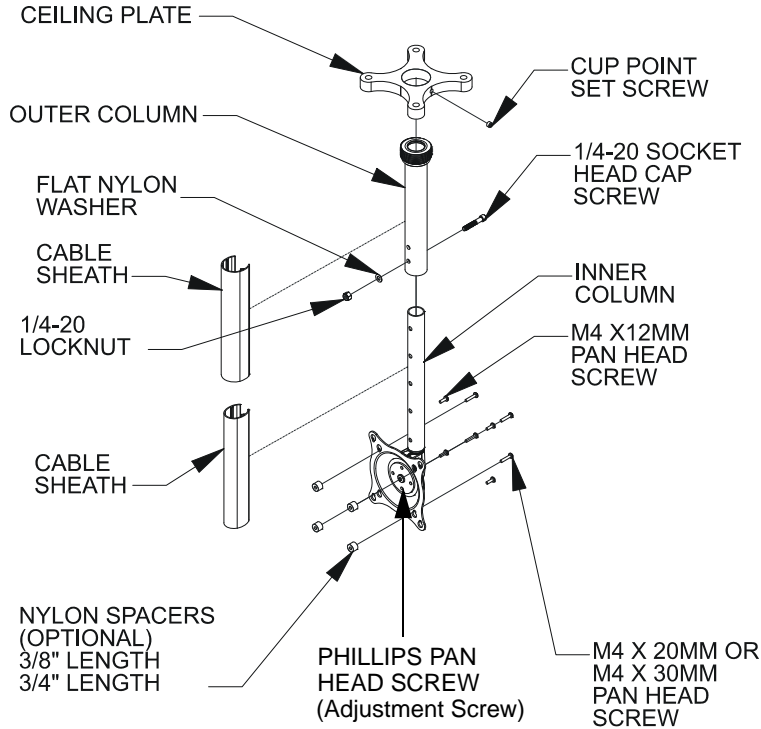
- Saw (to cut plastic)
- Electric drill and bit set
- Phillips Screwdriver
- Level

NOTE: Other tools may be required depending on the mounting surface and method of installation.

CONTENTS

DRAWINGS	2
INSPECT THE UNIT BEFORE INSTALLING	3
FHP INSTALLATION	3
DISPLAY INSTALLATION	4
CABLE MANAGEMENT	5
ADJUSTMENTS	5

DRAWINGS



INSPECT THE UNIT BEFORE INSTALLING

WARNING: Watch for pinch points. Do not put your fingers between movable parts.

1. Carefully inspect the FHP for shipping damage. If any damage is apparent, call your carrier claims agent and do not continue with the installation until the carrier has reviewed the damage.

NOTE: Read all instructions before starting installation.

2. Lay out components to ensure you have all the required parts before proceeding (see FHP drawing on page 2).

FHP INSTALLATION

WARNING: It is the responsibility of the installer to verify that the surface to which the FHP is anchored will safety support the combined load of all attached components and equipment.

Install the FHP as follows:

1. Determine the exact mounting location prior to installation, considering the unit's swing radius.

WARNING: Improper installation can result in serious personal injury! Make sure that the structural members can support a redundant weight factor *five times* the total weight of the equipment: if not, reinforce the structure before installing the FWP.

2. Secure the ceiling plate at the desired location.
3. Thread the outer column with pipe adapter securely into the ceiling plate (see Figure 1).
4. Using the set screw, secure the outer column in the ceiling plate.
5. Install the inner column into outer column at desired height and secure using socket head cap screw, Nylon washer, and lock nut (see Figure 2).

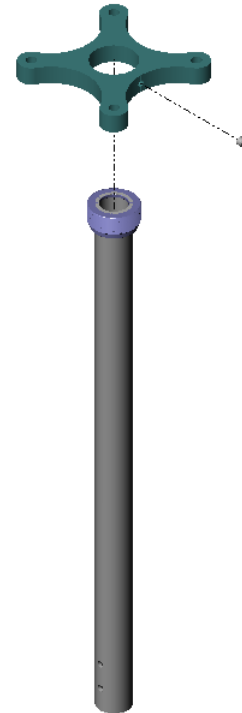


Figure 1. Outer Column Installation

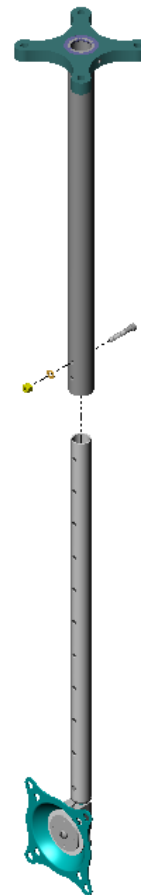


Figure 2. Mount on Outer Column

DISPLAY INSTALLATION

Install the display as follows:

VESA Compliant Flush Mounting

CAUTION: If monitor uses a screw size other than M4, DO NOT use the M4 screws provided. Using the wrong screws could result in damage to your display.

1. Start two M4 X .7 X 12mm Phillips pan head screws in the top mounting holes of your display.
2. Matching the hole pattern on your display with the hole pattern on the mount, hang the mount from the two screws started in Step A (see Figure 3).
3. Install two remaining Phillips pan head screws through the mount and into the mounting holes of your display.
4. Secure your display to the mount by tightening the four Phillips pan head screws.
5. Connect and secure power/audio/video cables, making sure to leave sufficient slack to allow for movement of the display.

VESA Compliant Recessed Mounting

1. Place four 1/2" X 3/8" Nylon spacers or four 1/2" X 3/4" Nylon spacers, as necessary, over the mounting holes of your display (see Figure 4).
2. Place the mount over the Nylon spacers, matching the hole pattern on your display (75mm or 100mm) with the hole pattern on the mount.
3. Using four M4 X .7 X 20mm Phillips pan head screws for 1/2" X 3/8" Nylon spacer installation or four M4 X .7 X 30mm Phillips pan head screws for the 1/2" X 3/4" Nylon spacer installation, secure the mount to your display.
4. Connect and secure power/audio/video cables, making sure to leave sufficient slack to allow for movement of the display.

Non-VESA Compliant Mounts

1. Contact Chief Manufacturing for custom interface brackets.

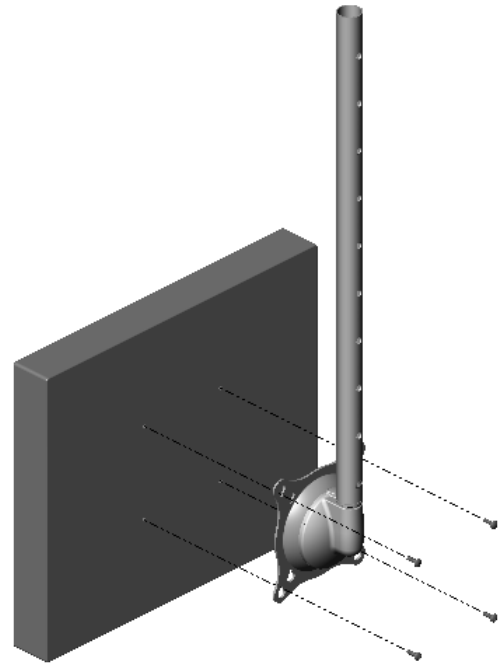


Figure 3. Install Flush Mount Display on Bracket

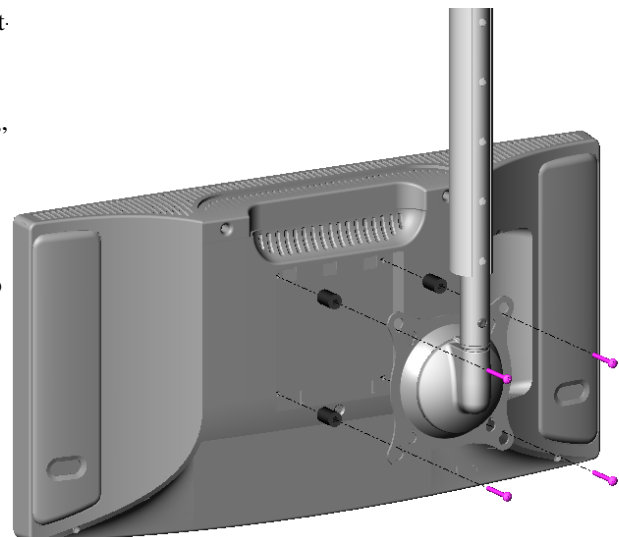


Figure 4. Install Recessed Mount Display on Bracket

CABLE MANAGEMENT

WARNING: Make sure your cables do not run through a pinch point.

1. Route power/audio/video cables against column, allowing sufficient slack in cables for extension and avoiding pinch points.
2. Install top cable cover over cables (see Figure 5).
3. Measure distance of remaining exposed cables and, using a saw or appropriate tool, cut lower cable cover to length.
4. Install bottom cable cover over remaining exposed cables.

ADJUSTMENTS

CAUTION: Overtightening adjustment will cause excessive wear.

Rotational Tilt, Pitch, and Roll Adjustment

1. If necessary, use a Phillips screwdriver to tighten or loosen the Phillips pan head screw (see “DRAWINGS” on page 3).
2. Check for desired tension.
3. Repeat Steps 1 and 2 until desired tension is obtained.

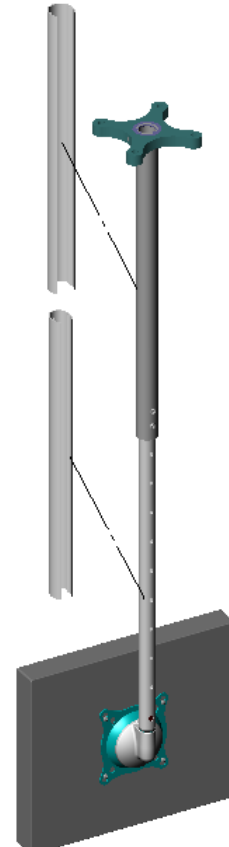


Figure 5. Install Cable Cover

