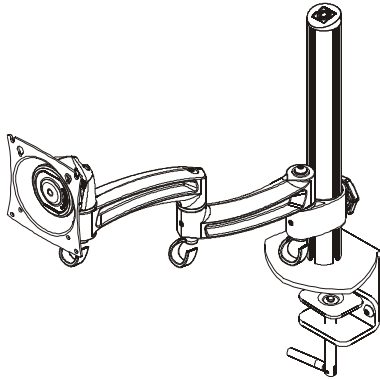
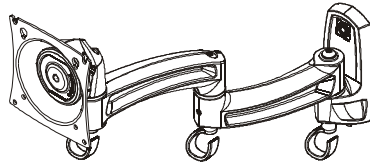


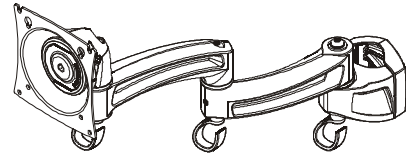
INSTALLATION INSTRUCTIONS



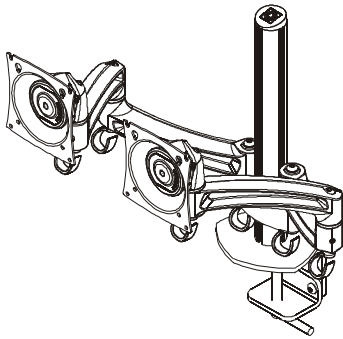
K2C100



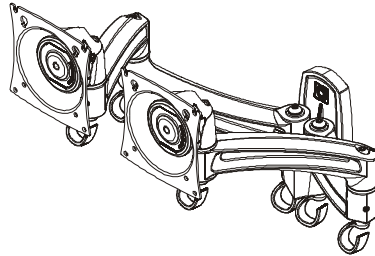
K2W100



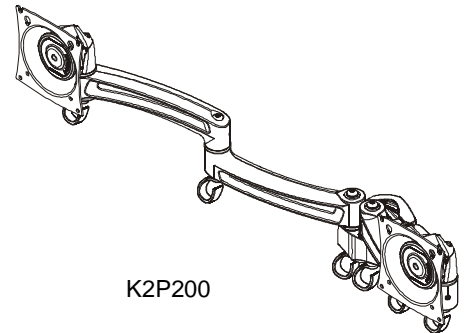
K2P100



K2C200



K2W200



K2P200

Monitor Arm Series

DISCLAIMER

Milestone AV Technologies and its affiliated corporations and subsidiaries (collectively "Milestone"), intend to make this manual accurate and complete. However, Milestone makes no claim that the information contained herein covers all details, conditions or variations, nor does it provide for every possible contingency in connection with the installation or use of this product. The information contained in this document is subject to change without notice or obligation of any kind. Milestone makes no representation of warranty, expressed or implied, regarding the information contained herein. Milestone assumes no responsibility for accuracy, completeness or sufficiency of the information contained in this document.

Chief® is a registered trademark of Milestone AV Technologies. All rights reserved.



WARNING: Never operate this mounting system if it is damaged. Return the mounting system to a service center for examination and repair.



WARNING: Do not use this product outdoors.

--SAVE THESE INSTRUCTIONS!--



IMPORTANT SAFETY INSTRUCTIONS!



WARNING: A WARNING alerts you to the possibility of serious injury or death if you do not follow the instructions.



CAUTION: A CAUTION alerts you to the possibility of damage or destruction of equipment if you do not follow the corresponding instructions.



WARNING: Failure to read, thoroughly understand, and follow all instructions can result in serious personal injury, damage to equipment, or voiding of factory warranty! It is the installer's responsibility to make sure all components are properly assembled and installed using the instructions provided.



WARNING: Failure to provide adequate structural strength for this component can result in serious personal injury or damage to equipment! It is the installer's responsibility to make sure the structure to which this component is attached can support five times the combined weight of all equipment. Reinforce the structure as required before installing the component. The wall to which the mount is being attached may have a maximum drywall thickness of 5/8" (1.6cm).

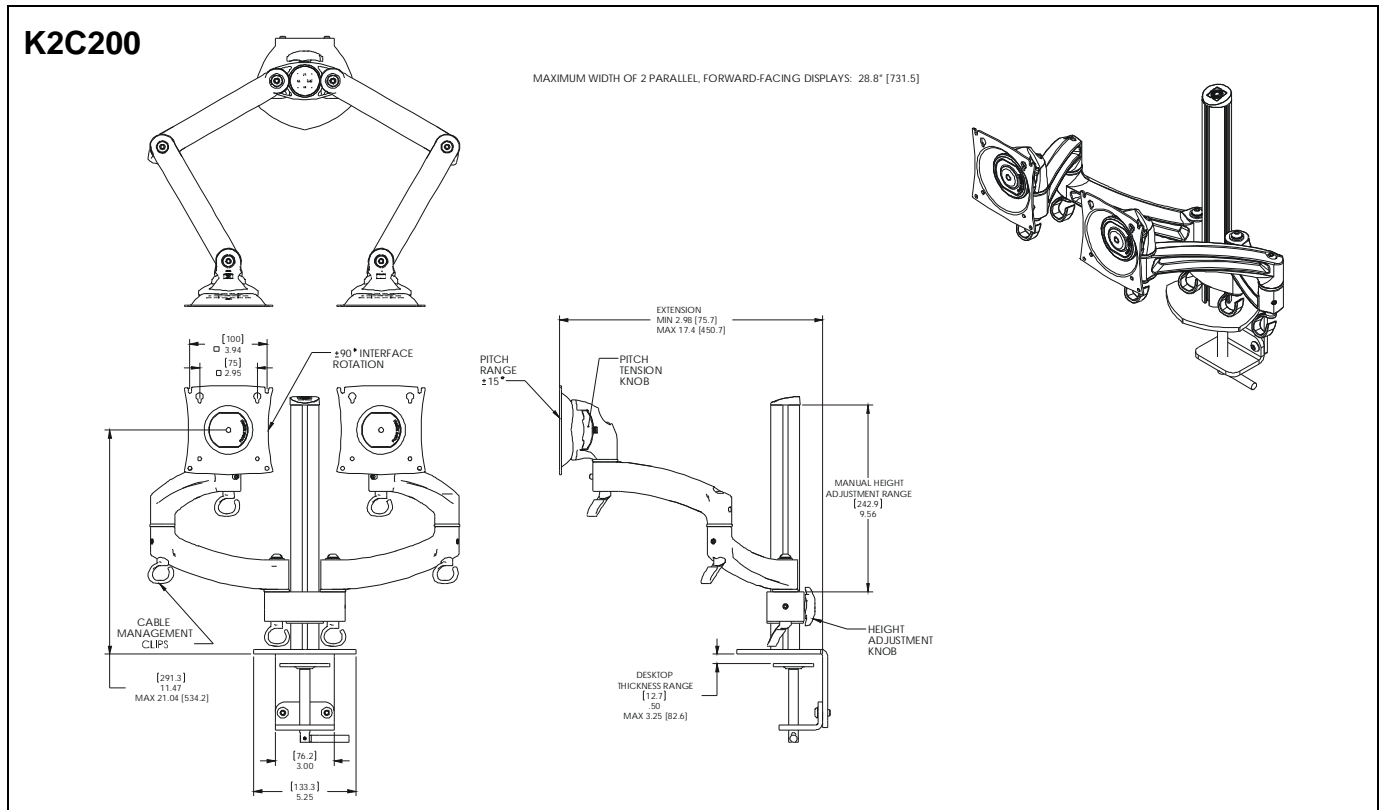
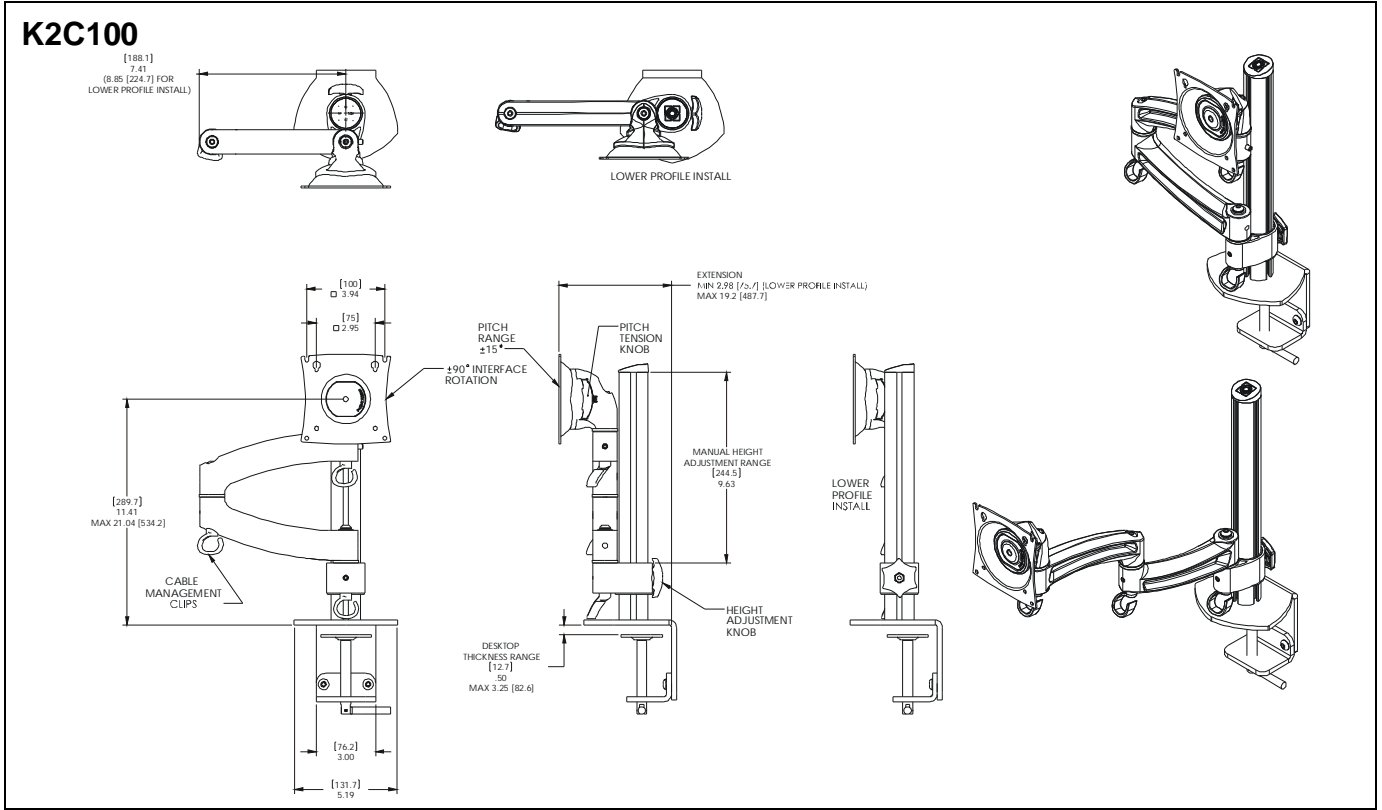


WARNING: Exceeding the weight capacity can result in serious personal injury or damage to equipment! It is the installer's responsibility to make sure the combined weight of all components located between the K2 Series Monitor Arm up to (and including) the display does not exceed 40 lbs (18.14 kg) for single arm mounts or 25 lbs (11.34 kg) per arm on dual arm mounts. Use with products heavier than the maximum weight indicated may result in collapse of the mount and its accessories causing possible injury.



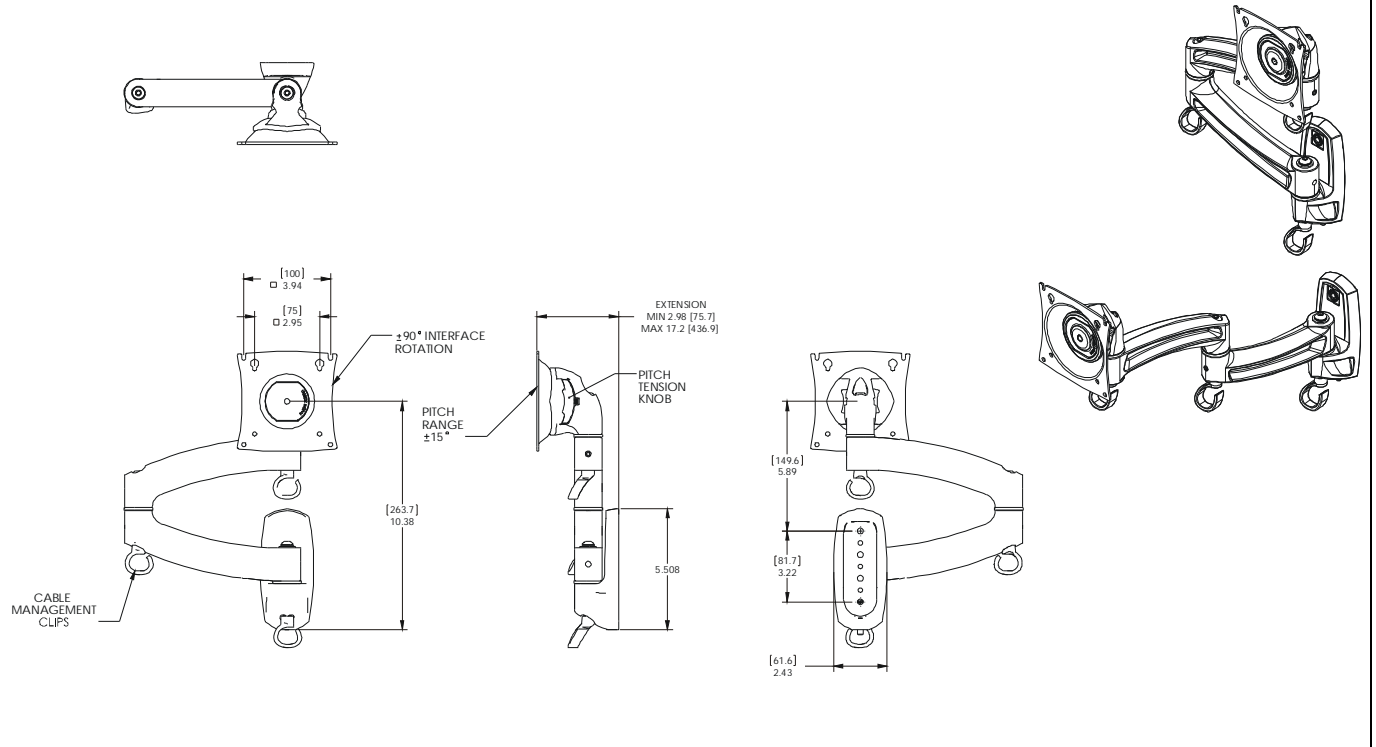
WARNING: Use this mounting system only for its intended use as described in these instructions. Do not use attachments not recommended by the manufacturer.

DIMENSIONS



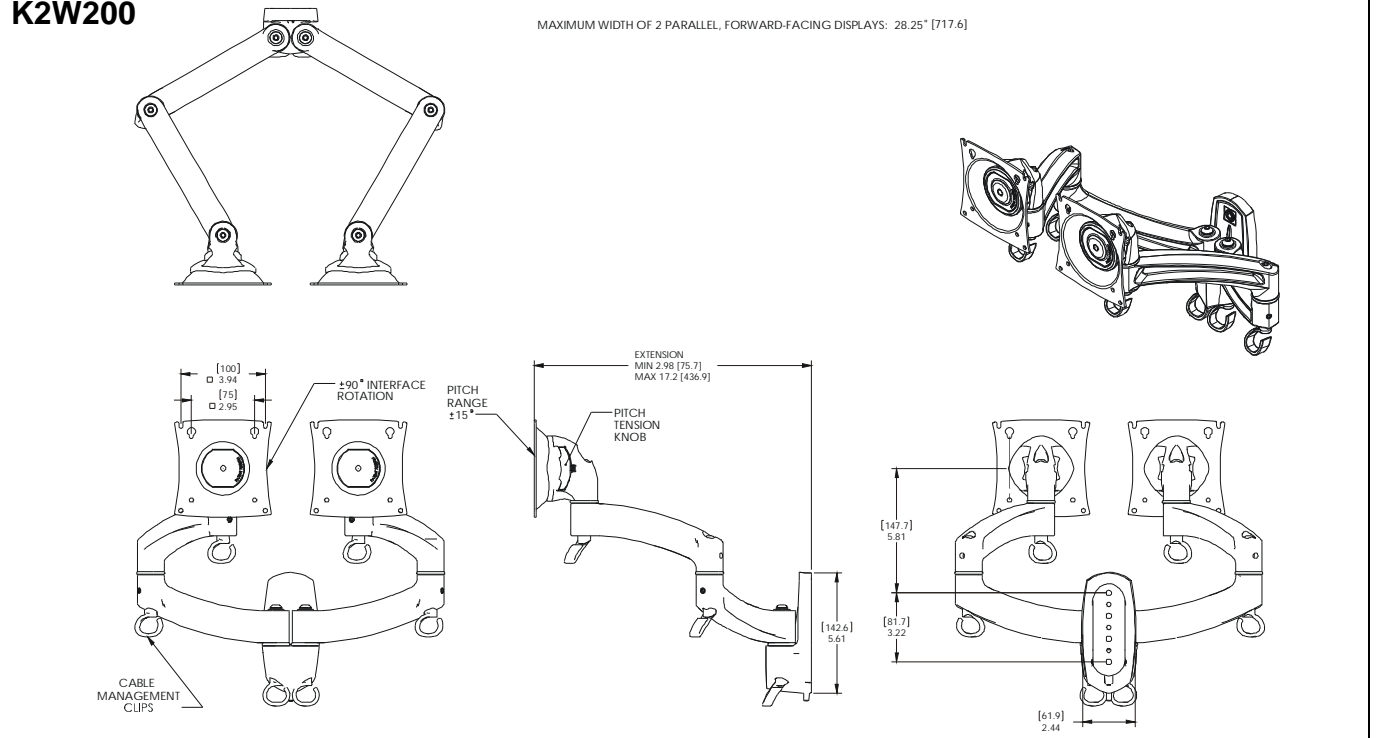
DIMENSIONS (CONTINUED)

K2W100



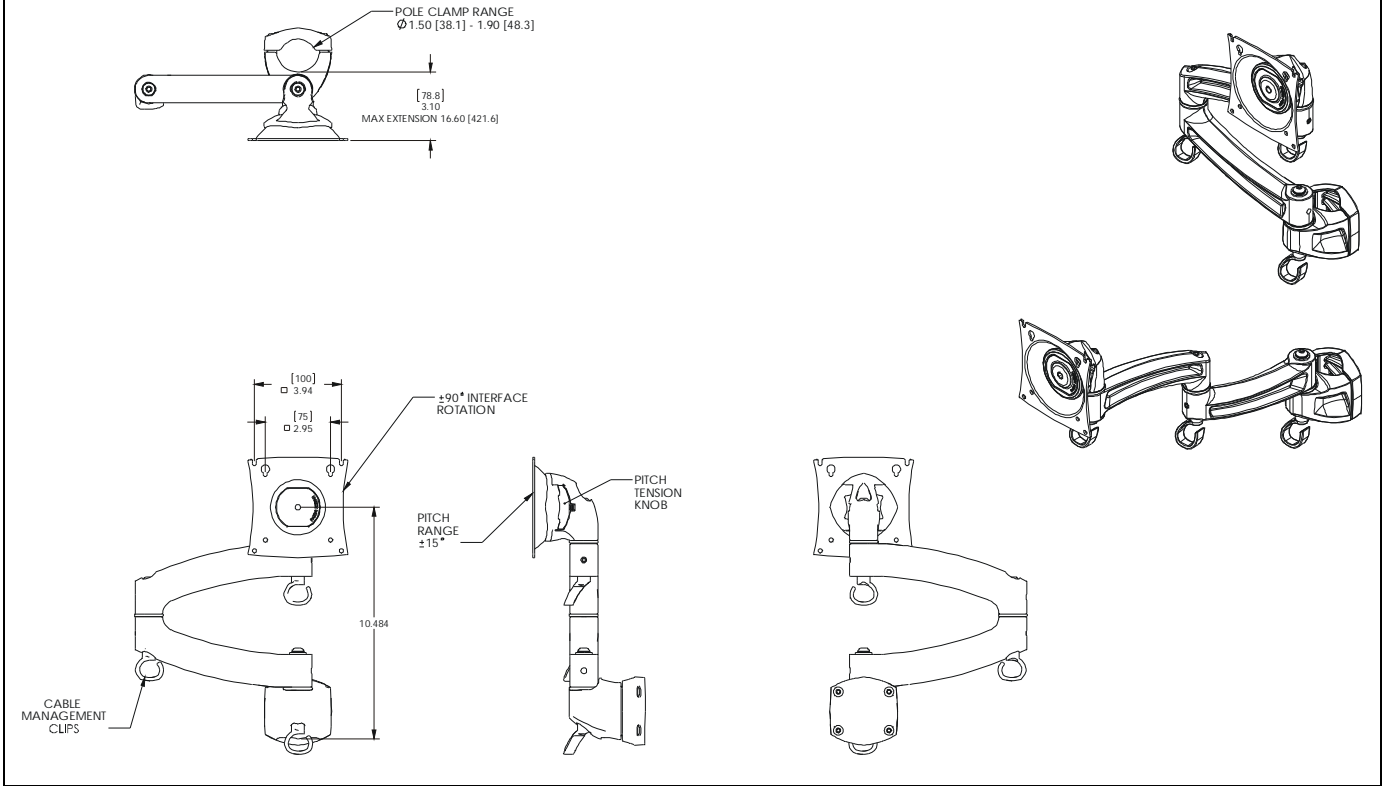
K2W200

MAXIMUM WIDTH OF 2 PARALLEL, FORWARD-FACING DISPLAYS: 28.25" (717.6)

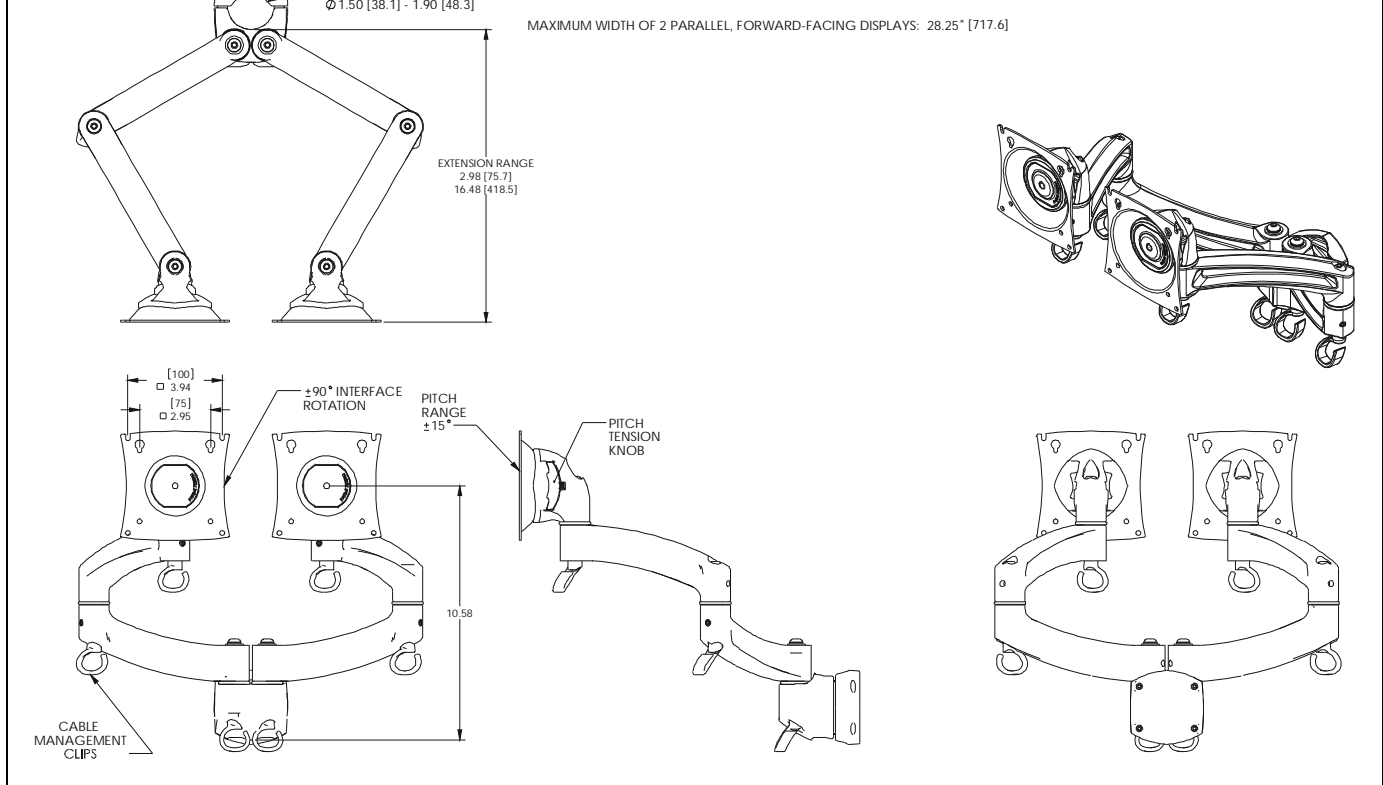


DIMENSIONS (CONTINUED)

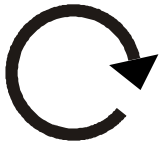

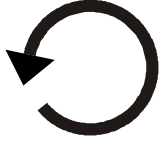









K2P100



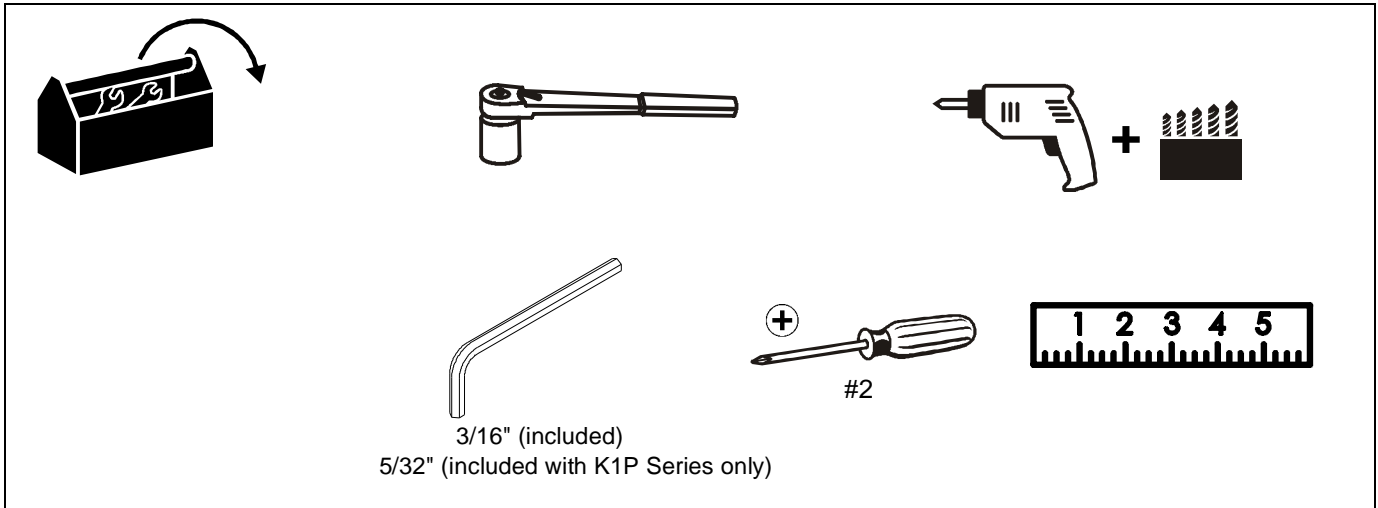
K2P200



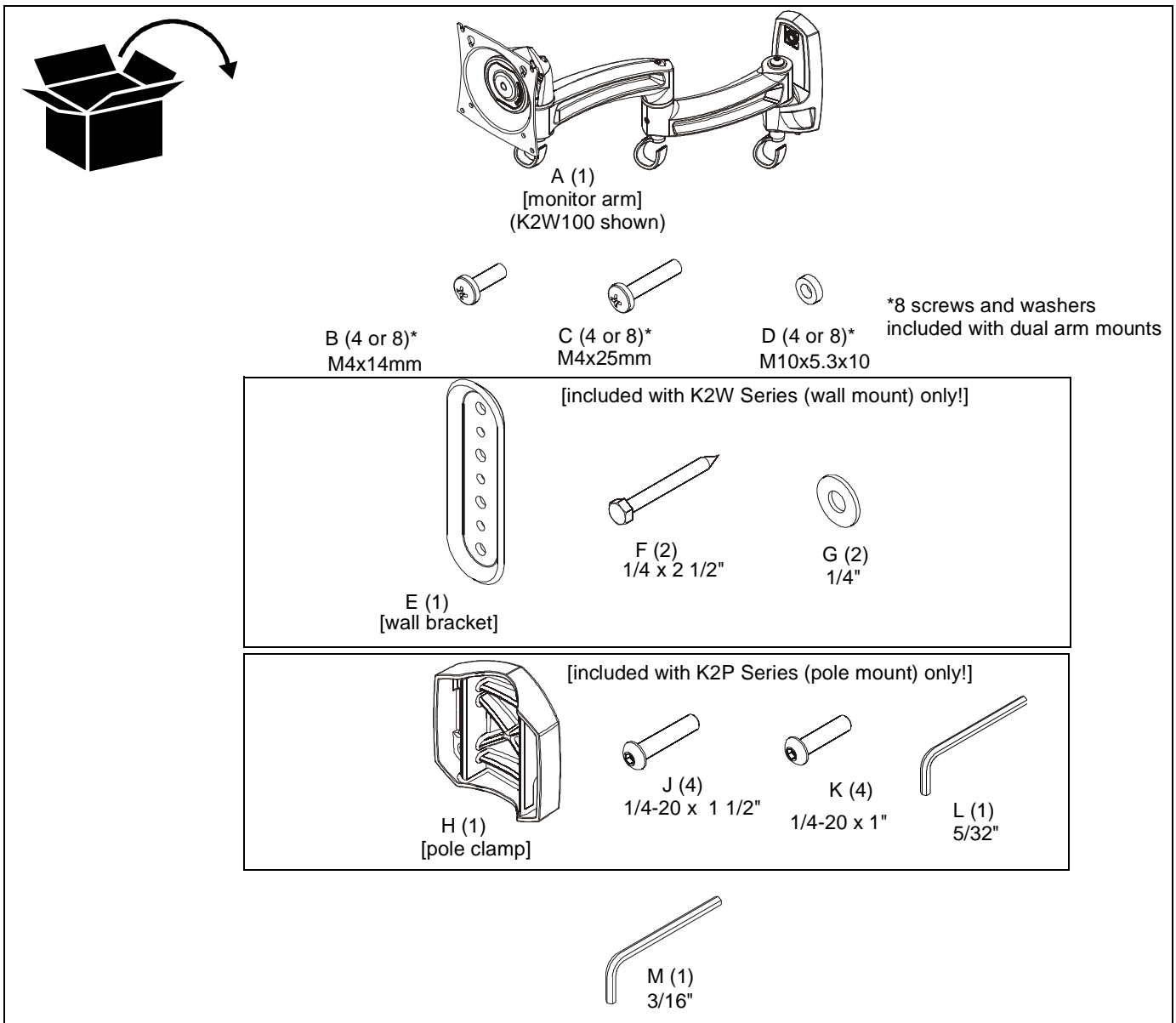
LEGEND

	Tighten Fastener Apretar elemento de fijación Befestigungsteil festziehen Apertar fixador Serrare il fissaggio Bevestiging vastdraaien Serrez les fixations		Pencil Mark Marcar con lápiz Stiftmarkierung Marcar com lápis Segno a matita Potloodmerkten Marquage au crayon
	Loosen Fastener Aflojar elemento de fijación Befestigungsteil lösen Desapertar fixador Allentare il fissaggio Bevestiging losdraaien Desserrez les fixations		Drill Hole Perforar Bohrloch Fazer furo Praticare un foro Gat boren Percez un trou
	Phillips Screwdriver Destornillador Phillips Kreuzschlitzschraubendreher Chave de fendas Phillips Cacciavite a stella Kruiskopschroevendraaier Tournevis à pointe cruciforme		Adjust Ajustar Einstellen Ajustar Regolare Afstellen Ajuster
	Open-Ended Wrench Llave de boca Gabelschlüssel Chave de bocas Chiave a punte aperte Steeksleutel Clé à fourche		Remove Quitar Entfernen Remover Rimuovere Verwijderen Retirez
	By Hand A mano Von Hand Com a mão A mano Met de hand À la main		Optional Opcional Optional Opcional Opzionale Optie En option
	Hex-Head Wrench Llave de cabeza hexagonal Sechskantschlüssel Chave de cabeça sextavada Chiave esagonale Zeskantsleutel Clé à tête hexagonale		Security Wrench Llave de seguridad Sicherheitsschlüssel Chave de segurança Chiave di sicurezza Veiligheidsleutel Clé de sécurité

TOOLS REQUIRED FOR INSTALLATION



PARTS



Assembly And Installation

IMPORTANT ! : IF you will be installing a SINGLE display with RECESSED mounting holes, then proceed to "DISPLAY INSTALLATION" *before continuing* with this mount installation procedure.

Connecting K2C Series (column mount) to Desk Standard Installation

1. Loosen clamp screw until enough space is created between clamp and mount to allow for desk mounting. (See Figure 1)

NOTE: If space is limited behind desk (i.e. against wall, etc.), remove clamp screw and attachment entirely and reattach clamp screw prior to Step 3! (See Figure 2)

2. Place mount on top of desk at desired mounting location. (See Figure 1)
3. Tighten clamp using clamp screw until mount is securely fastened to desk. (See Figure 1)

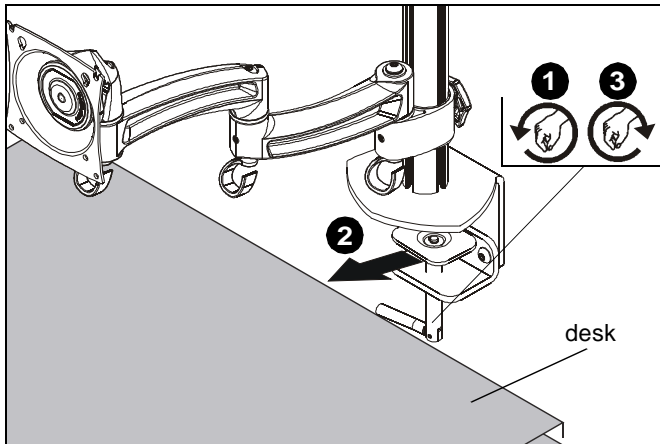


Figure 1

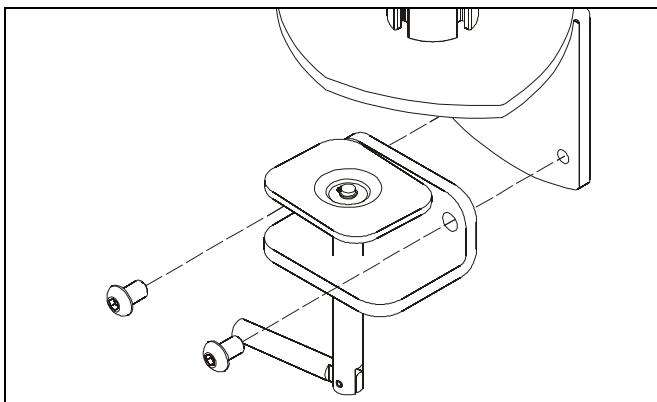


Figure 2

Low Profile Installation (KC2 Series Only)

1. Remove top cap from column. (See Figure 3)
2. Slide mount assembly off of column. (See Figure 3)

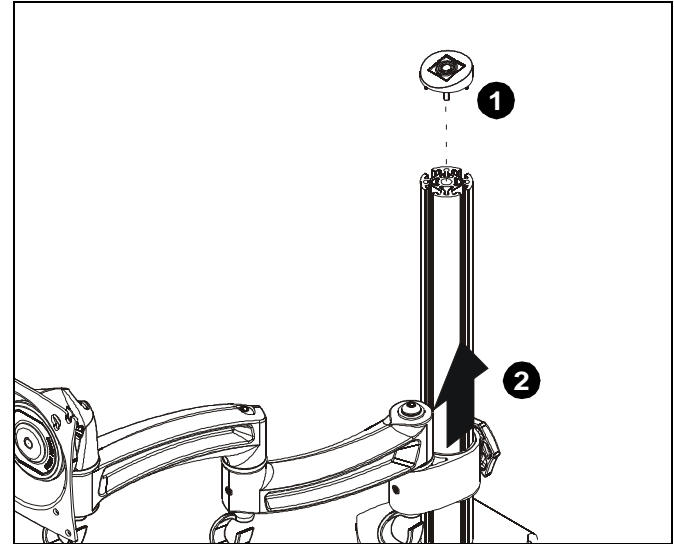


Figure 3

3. Rotate mount in 90 degrees in either direction prior to reinstalling onto column. (See Figure 4)
4. Reinstall onto column and adjust to desired height. (See Figure 4)
5. Reinstall top cap to column. (See Figure 4)

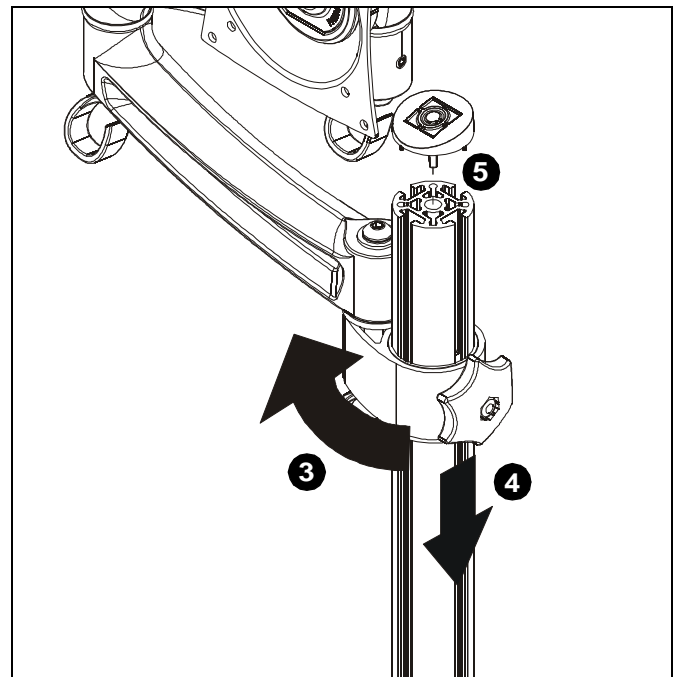


Figure 4

6. Proceed with standard installation to desk as shown in "Standard Installation" section.

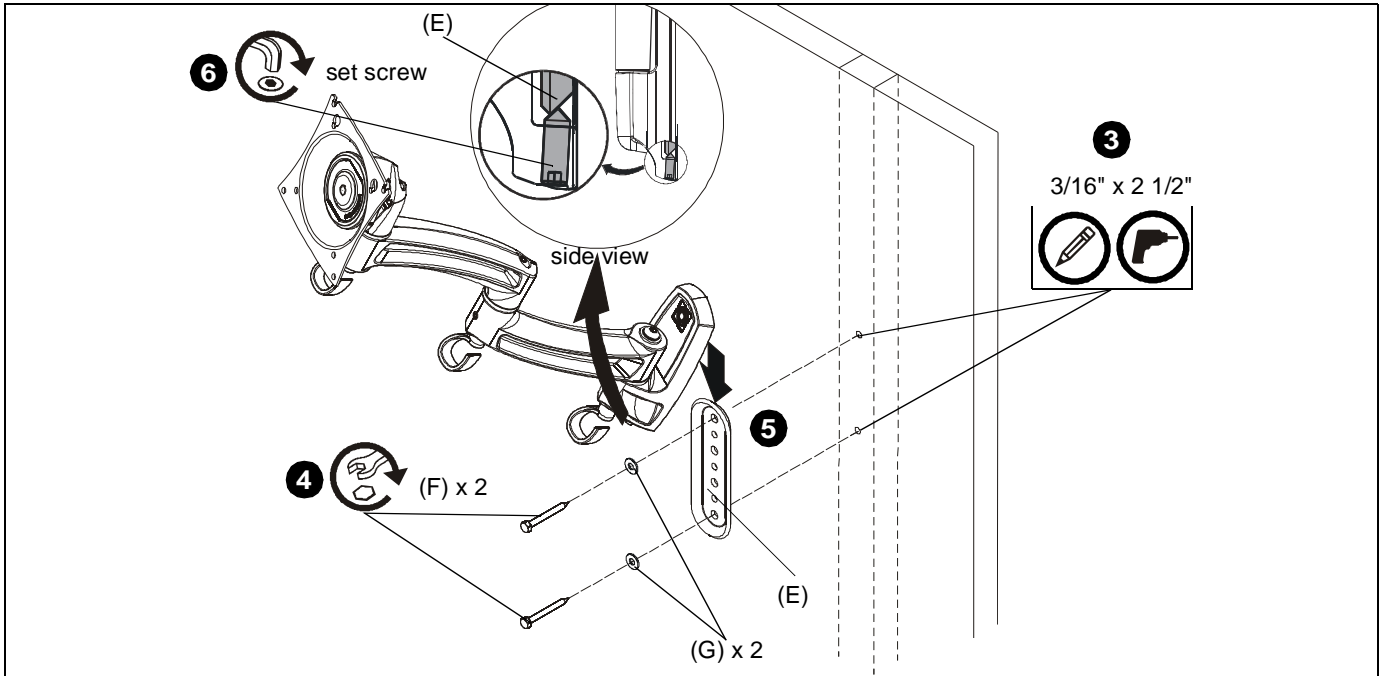


Figure 5

Connecting K2W Series (wall mount) to Wall

1. Determine mounting location on wall.
2. Use a stud finder to locate stud.
3. Use wall bracket to mark and drill two 3/16" x 2 1/2" holes in wall at desired mounting location. (See Figure 5)
4. Use two 1/4-2 1/2" hex head lag screws (F) and two 1/4" washers (G) to install wall bracket onto wall. (See Figure 5)

IMPORTANT ! : Overtightening screws (F) may cause bracket to compress into soft wall surface resulting in difficult mount installation or improper engaging of set screw in Step 6.

5. Hang monitor arm (A) over wall bracket. (See Figure 5)
6. Secure monitor arm to wall bracket by tightening set screw. Ensure set screw engages back side of wall bracket (E) to properly secure mount. (See Figure 5)

Connecting K2P Series (pole mount) to Wall

1. Determine approximate location for mount keeping in mind display size, extension, height adjustment requirements.
2. Place mount (A) against pole with clamp (H) on opposite side of pole. (See Figure 6)
3. Using 5/32" hex key (L) and appropriate length screws, loosely attach K1P assembly to pole clamp (H). If installing to 1 1/2" NPT pipe, use 1/4-20 x 1 1/2" button head cap screws (J). If installing to 1 1/2" diameter pipe, use 1/4-20 x 1" button head cap screws (K). (See Figure 6)
4. Position mount at desired height and orientation.
5. Equally tighten screws against mount and the pole clamp.

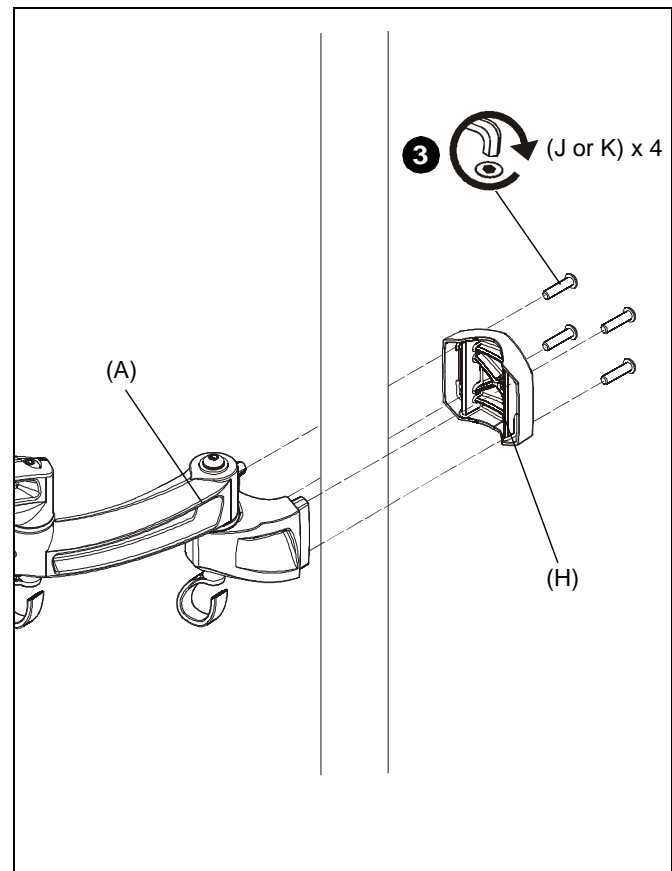


Figure 6

Display Installation

The mounting holes on the back of the display will either be flush with the back surface or recessed into the back surface. Refer to the applicable installation procedure.

Flush Mounting Holes



CAUTION: Using screws of improper size may damage your display! Proper screws will easily and completely thread into display mounting holes.



CAUTION: Inadequate thread engagement in display may cause display to fall! Back out screws **ONLY** as necessary to allow installation of Centris bracket!

1. Ensure faceplate is able to swivel and tilt easily, yet still be tight enough to hold display in desired position. Adjust as required before proceeding. See "ADJUSTMENT" for detail. (See Figure 7)
2. Using Phillips screwdriver, carefully install two M4x12mm screws (B) into the *upper* mounting holes on the display. Thread screws completely into display, then back out 3 complete turns. (See Figure 7)
3. Pick up and align display so that screws (B) (installed on the back of the display in the previous step) fit into the mounting holes on the faceplate. Rotate the bracket as required. Lower the display firmly into place. (See Figure 7)

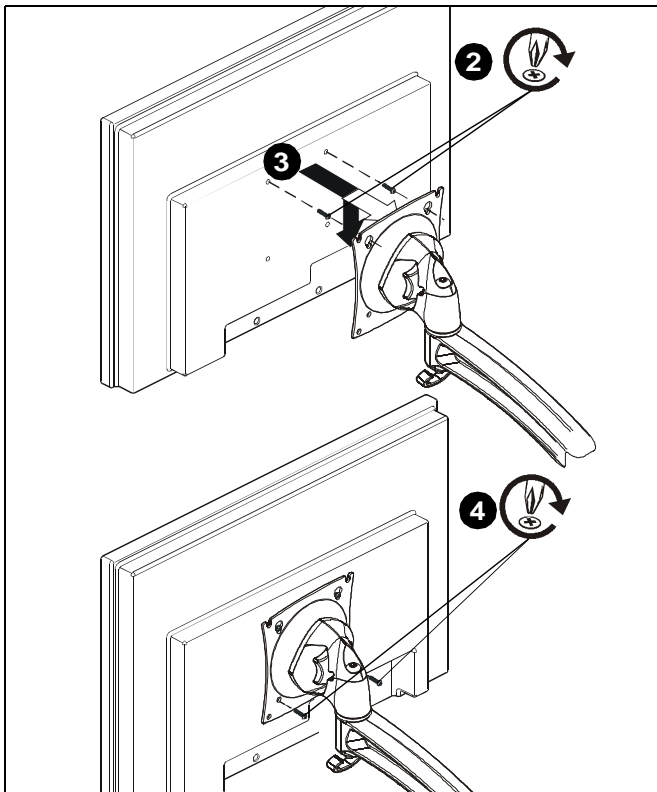


Figure 7

4. Using Phillips screwdriver, install two remaining M4x14mm Phillips screws (B) through the *lower* mounting holes in faceplate into the display. (See Figure 7)
5. Tighten all four screws (B). Do not overtighten!

Recessed Mounting Holes

1. Ensure Centris bracket is able to swivel and tilt easily, yet still be tight enough to hold display in desired position. Adjust as required before proceeding. See "ADJUSTMENT" for detail.
2. Carefully place display face down on protective surface.
3. Place the four spacers (D) over each of the mount holes on the back of the display. (See Figure 8)
4. Pick up and orient the mount (A) so that the mounting holes are aligned with the holes in the spacers; rotate the bracket as required. (See Figure 8)
5. Using Phillips screwdriver, install four M4x25mm screws (C) through the mounting holes, through the spacers and into the display. (See Figure 8)
6. Tighten all four screws. Do not overtighten!

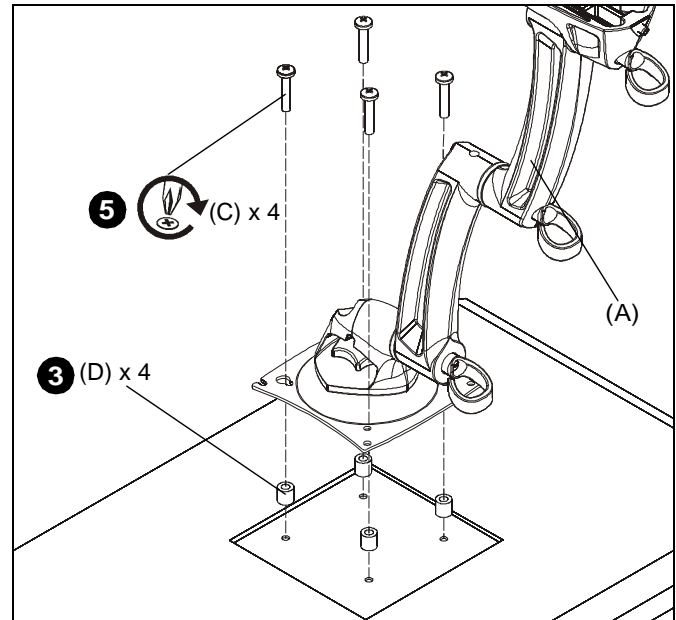


Figure 8

Adjustments

Column Height Adjustment (K2C Series only)

1. Loosen column adjustment knob. (See Figure 9)
2. Adjust height to desired level. (See Figure 9)
3. Tighten column adjustment knob. (See Figure 9)

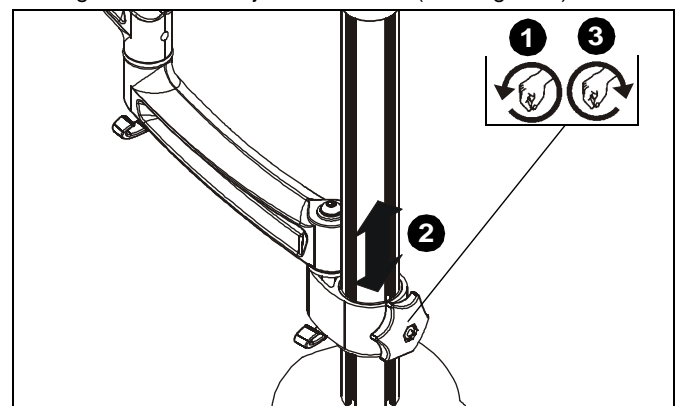


Figure 9

Pivot Adjustment Range

Single Arm Models (K2C100, K2W100 and K2P100)

1. Adjust arm angle as desired up to 90 degrees in either direction. (See Figure 10)



WARNING: Swinging the arm beyond 90 degrees may result in the mount slipping off the desk causing serious injury!

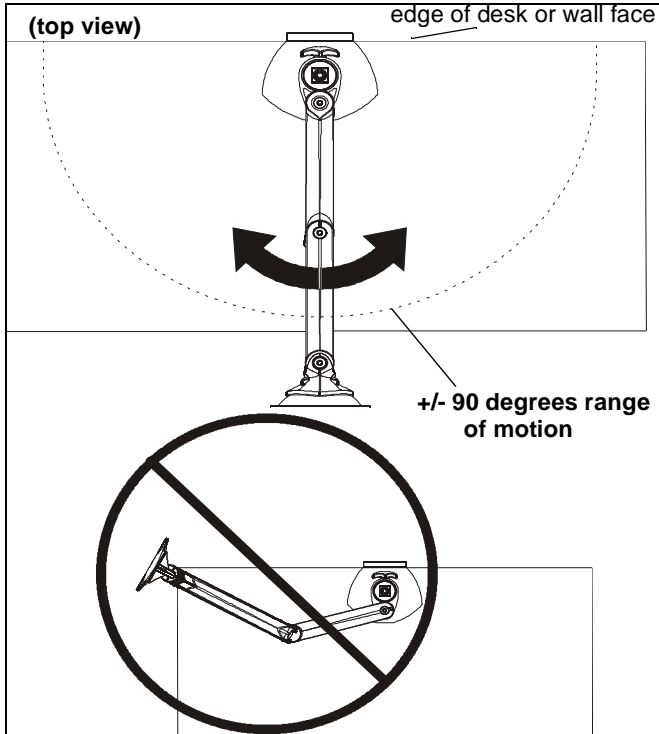


Figure 10

Dual Arm Models (K2C200, K2W200 AND K2P200)

1. Adjust arm angles as desired within a 90 degree range from the edge of desk or wall and a perpendicular centerline of mount. (See Figure 11)



WARNING: Swinging the arm beyond this range may result in the mount slipping of the desk causing serious injury!

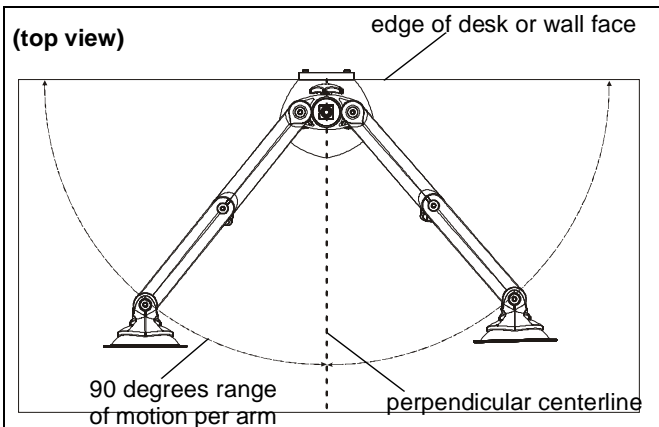


Figure 11

Swing Arm Pivot Adjustment

1. Adjust pivot position as desired. (See Figure 12)
2. Adjust pivot point tension screws to change pivot adjustment tension. (See Figure 12)

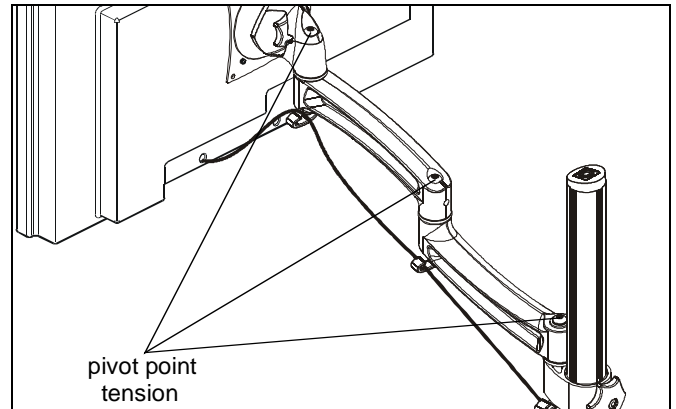


Figure 12

Cable Management

1. Route cables through cable management channels. (See Figure 13)

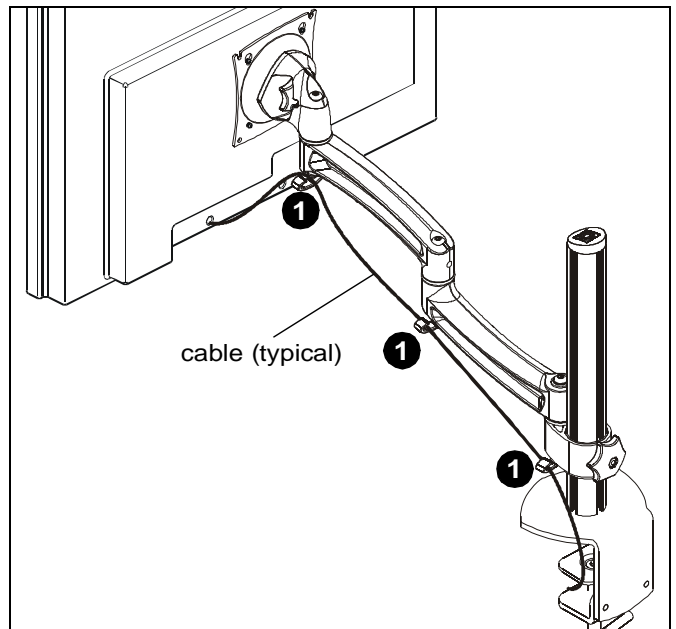


Figure 13



Our Mounts. **Your Vision.**

Chief Manufacturing, a products division
of Milestone AV Technologies

8800-002060 Rev 03
©2011 Milestone AV Technologies, a
Duchossois Group Company
www.chiefmfg.com
12/11

USA/International	A 8401 Eagle Creek Parkway, Savage, MN 55378 P 800.582.6480 / 952.894.6280 F 877.894.6918 / 952.894.6918
Europe	A Fellenoord 130 5611 ZB EINDHOVEN, The Netherlands P +31 (0)40 2668620 F +31 (0)40 2668615
Asia Pacific	A Office No. 1 on 12/F, Shatin Galleria 18-24 Shan Mei Street Fotan, Shatin, Hong Kong P 852 2145 4099 F 852 2145 4477

