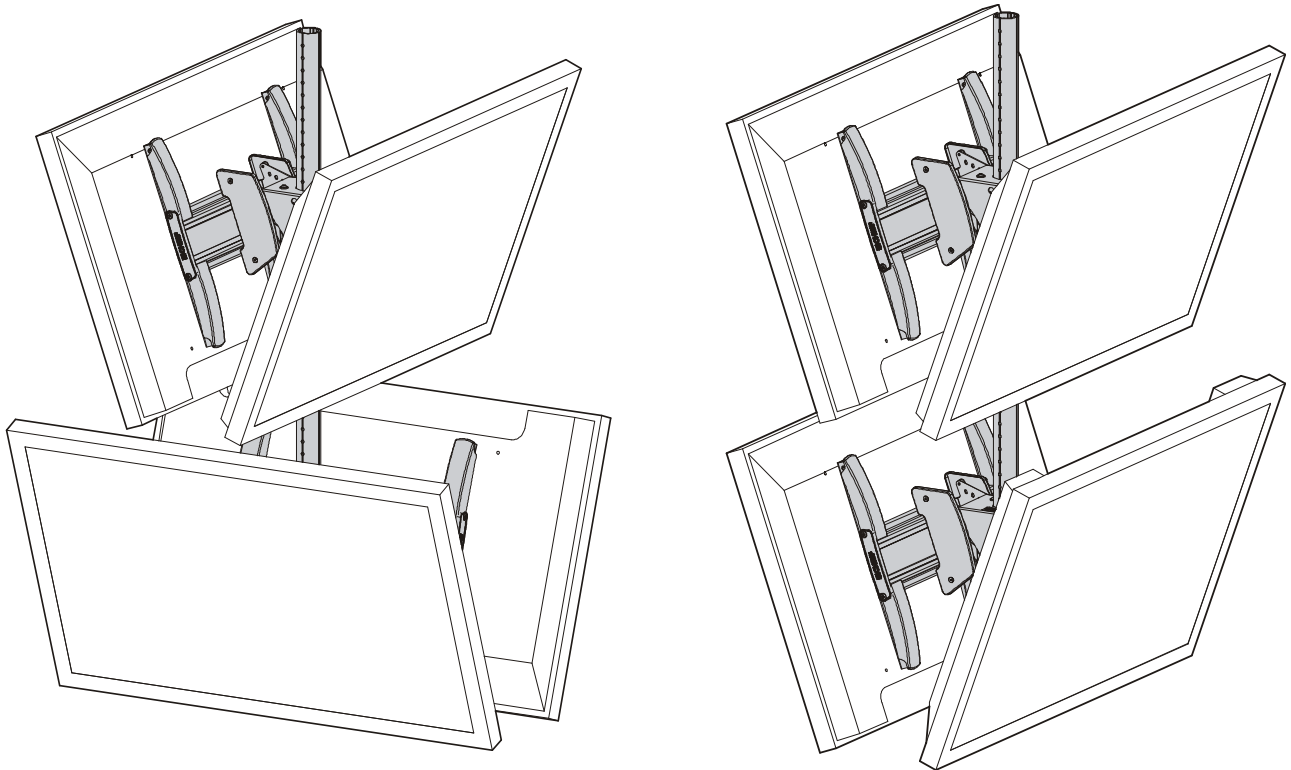


---

# INSTALLATION INSTRUCTIONS

---



(Examples of Possible Configurations)

---

## Stacking Back-to-Back Flat Panel Ceiling Mounts


---


**DISCLAIMER**


Milestone AV Technologies and its affiliated corporations and subsidiaries (collectively "Milestone"), intend to make this manual accurate and complete. However, Milestone makes no claim that the information contained herein covers all details, conditions or variations, nor does it provide for every possible contingency in connection with the installation or use of this product. The information contained in this document is subject to change without notice or obligation of any kind. Milestone makes no representation of warranty, expressed or implied, regarding the information contained herein. Milestone assumes no responsibility for accuracy, completeness or sufficiency of the information contained in this document.


Chief® is a registered trademark of Milestone AV Technologies. All rights reserved.


 **IMPORTANT SAFETY INSTRUCTIONS**


 **WARNING:** A WARNING alerts you to the possibility of serious injury or death if you do not follow the instructions.


 **CAUTION:** A CAUTION alerts you to the possibility of damage or destruction of equipment if you do not follow the corresponding instructions.


 **WARNING:** Failure to read, thoroughly understand, and follow all instructions can result in serious personal injury, damage to equipment, or voiding of factory warranty! It is the installer's responsibility to make sure all components are properly assembled and installed using the instructions provided.

 **WARNING:** Failure to provide adequate structural strength for this component can result in serious personal injury or damage to equipment! It is the installer's responsibility to make sure the structure to which this component is attached can support five times the combined weight of all equipment. Reinforce the structure as required before installing the component.

 **WARNING:** Use this mounting system only for its intended use as described in these instructions. Do not use attachments not recommended by the manufacturer.

 **WARNING:** Never operate this mounting system if it is damaged. Return the mounting system to a service center for examination and repair.

 **WARNING:** Do not use this product outdoors.

 **WARNING:** Exceeding the weight capacity can result in serious personal injury or damage to equipment! It is the installer's responsibility to make sure the combined weight of all components located within the mounting system of the model does not exceed maximum weights listed in table below.

MODEL	Max Weight Allowed for <u>EACH</u> Display	Max Weight Capacity of Entire Mounting System
MCB1X2U	100 lbs (45.4 kg)	400 lbs (181.4 kg)
LCB1X2U	100 lbs (45.4 kg)	400 lbs (181.4 kg)

**IMPORTANT ! :** The MCB1X2U/LCB1X2U mounts are designed to be mounted to a 1-1/2" NPT or NPSM following ANSI/ASME B1.20.1 (Schedule 40, 0.154" minimum thickness steel or aluminum-ASTM B221) threaded extension column (not included); **OR** a UL Listed Chief CPA Series extension column (not included).

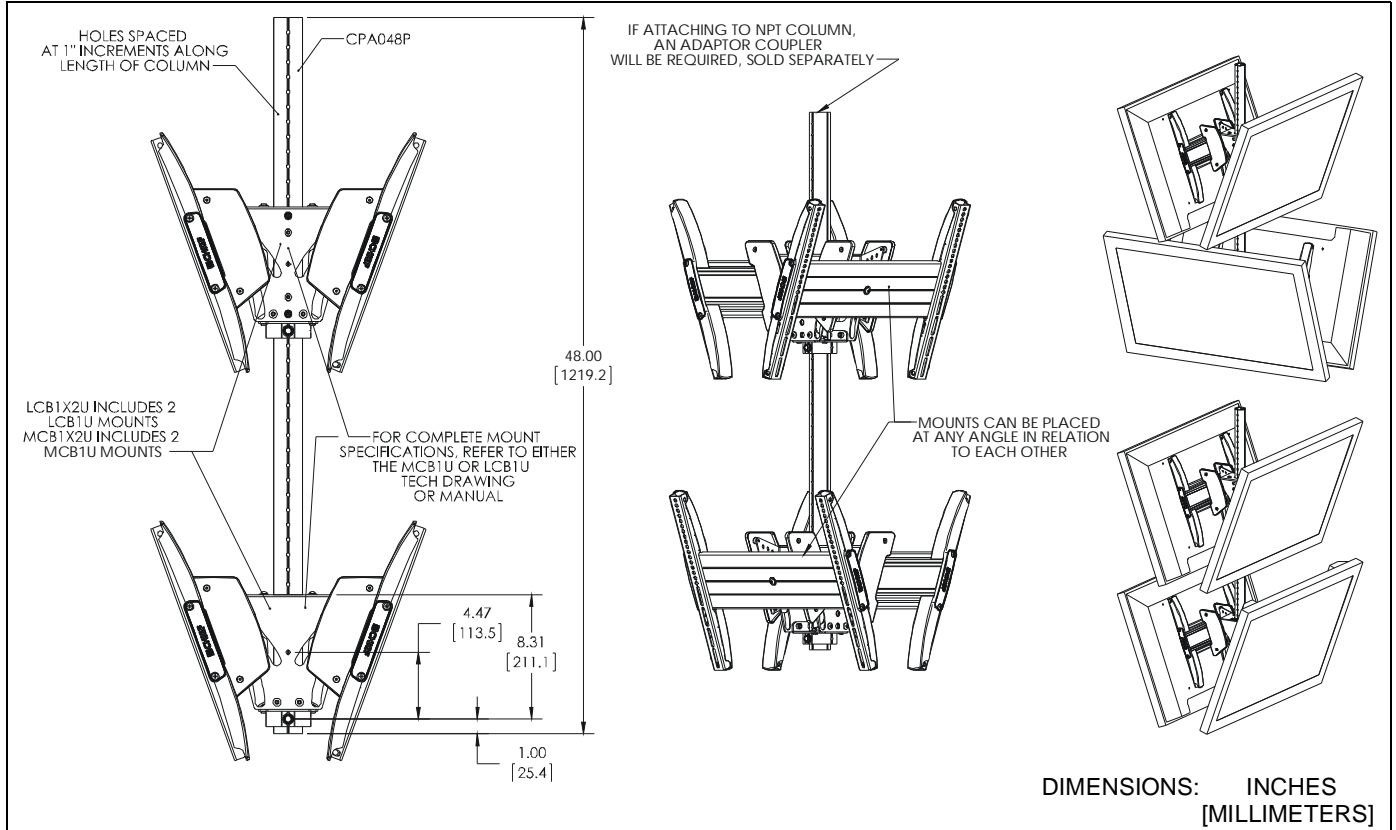
**IMPORTANT ! :** If attaching to a 1-1/2" NPT column, the Chief UL Listed CPA261 or CPA264 adapter (not included) is required.

**NOTE:** The MCB1X2U/LCB1X2U mounts are intended to be used with the UL Listed Chief CPA Ceiling Plates (not included): CPA330, CPA365, CPA395.

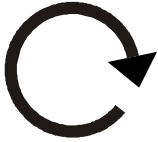











**NOTE:** The following UL Listed Chief ceiling plates WITHOUT swaged collars (not included) may also be used: CMA330, CMA345, CMA395.

**--SAVE THESE INSTRUCTIONS--**

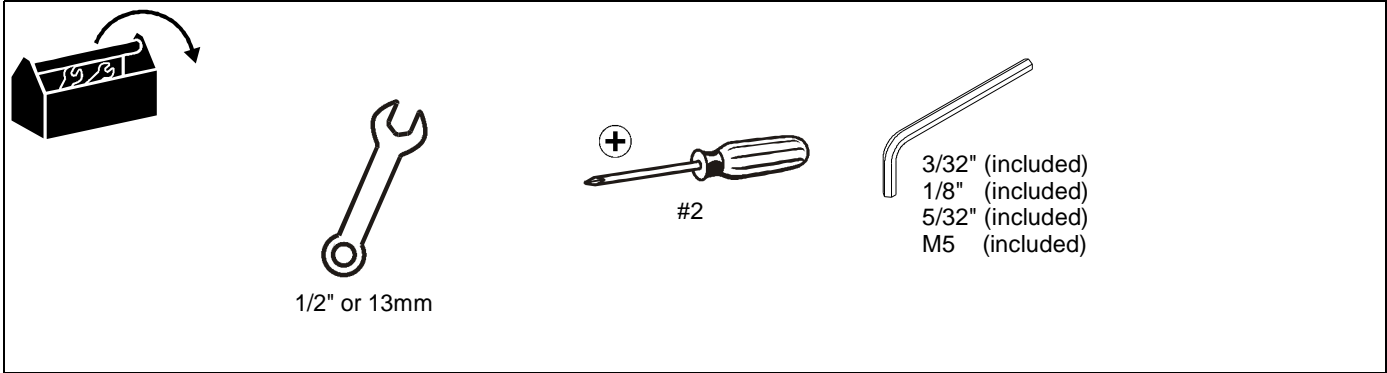
### DIMENSIONS



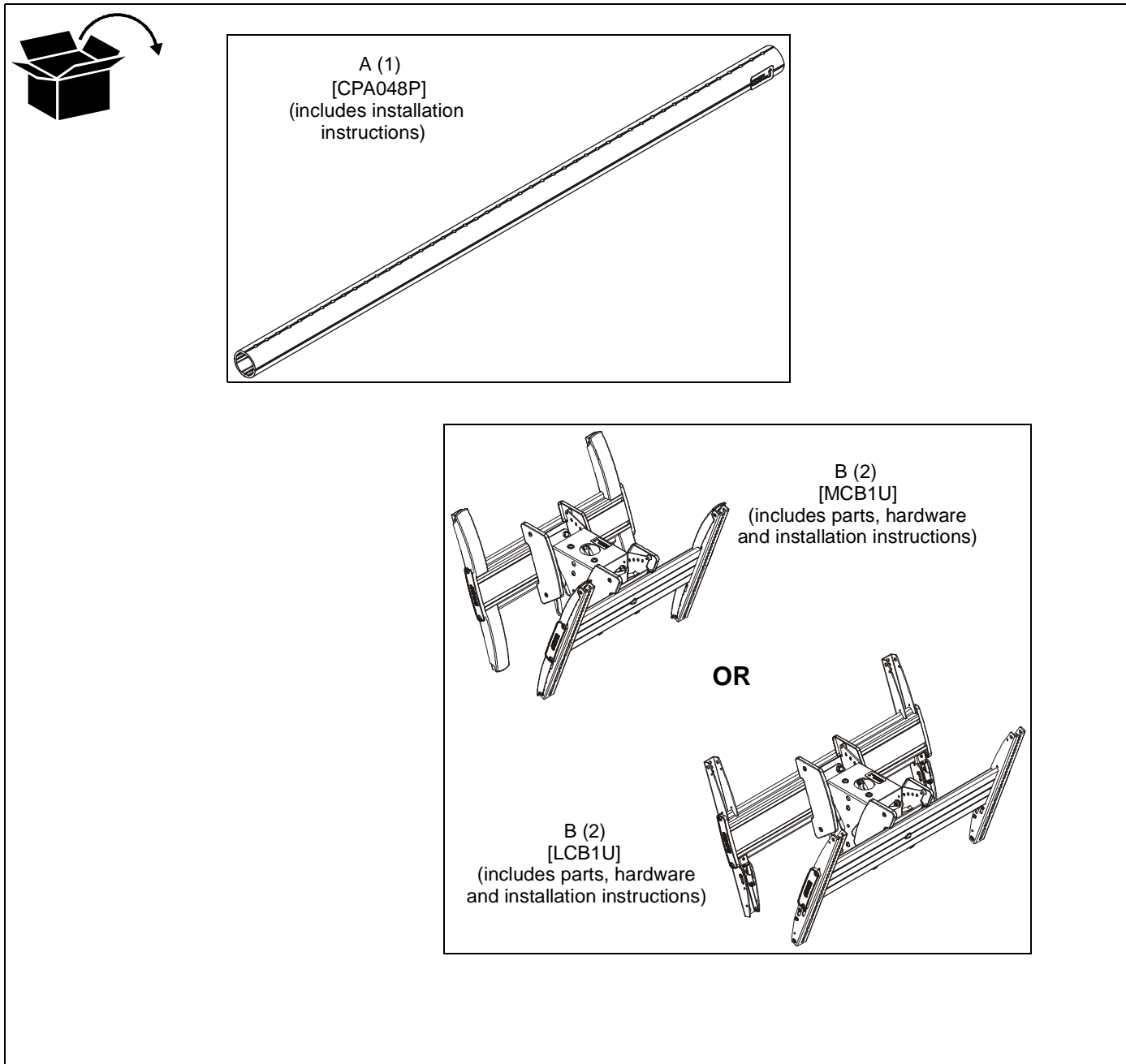
**LEGEND**

	<p><b>Tighten Fastener</b>                      Apretar elemento de fijación                      Befestigungsteil festziehen                      Apertar fixador                      Serrare il fissaggio                      Bevestiging vastdraaien                      Serrez les fixations</p>		<p><b>Pencil Mark</b>                      Marcar con lápiz                      Stiftmarkierung                      Marcar com lápis                      Segno a matita                      Potloodmerkteken                      Marquage au crayon</p>
	<p><b>Loosen Fastener</b>                      Aflojar elemento de fijación                      Befestigungsteil lösen                      Desapertar fixador                      Allentare il fissaggio                      Bevestiging losdraaien                      Desserrez les fixations</p>		<p><b>Drill Hole</b>                      Perforar                      Bohrloch                      Fazer furo                      Praticare un foro                      Gat boren                      Percez un trou</p>
	<p><b>Phillips Screwdriver</b>                      Destornillador Phillips                      Kreuzschlitzschraubendreher                      Chave de fendas Phillips                      Cacciavite a stella                      Kruiskopschroevendraaier                      Tournevis à pointe cruciforme</p>		<p><b>Adjust</b>                      Ajustar                      Einstellen                      Ajustar                      Regolare                      Afstellen                      Ajuster</p>
	<p><b>Open-Ended Wrench</b>                      Llave de boca                      Gabelschlüssel                      Chave de bocas                      Chiave a punta aperte                      Steeksleutel                      Clé à fourche</p>		<p><b>Remove</b>                      Quitar                      Entfernen                      Remover                      Rimuovere                      Verwijderen                      Retirez</p>
	<p><b>By Hand</b>                      A mano                      Von Hand                      Com a mão                      A mano                      Met de hand                      À la main</p>		<p><b>Optional</b>                      Opcional                      Optional                      Opcional                      Opzionale                      Optie                      En option</p>
	<p><b>Hex-Head Wrench</b>                      Llave de cabeza hexagonal                      Sechskantschlüssel                      Chave de cabeça sextavada                      Chiave esagonale                      Zeskantsleutel                      Clé à tête hexagonale</p>		<p><b>Security Wrench</b>                      Llave de seguridad                      Sicherheitsschlüssel                      Chave de segurança                      Chiave di sicurezza                      Veiligheidsleutel                      Clé de sécurité</p>

### TOOLS REQUIRED FOR INSTALLATION



### PARTS



## INSTALLATION

**IMPORTANT ! :** Refer to **Dimensions** section (and to **Dimensions** section in the MCB1U/LCB1U installation instructions) to find specific dimension requirements **BEFORE** proceeding with installation.

**NOTE:** The following procedure assumes that a UL Listed Chief CPA or CMA ceiling plate (not included) has been properly installed following instructions included with ceiling plate.

### Installing Column

1. Lay CPA048P column (A) on floor and carefully place displays next to column. (See Figure 1)
2. Mark center of lower display onto column. (See Figure 1)
3. Measure one screen height up on the column from the first mark. Add approximately 2 inches extra length to allow for display tilt, and add additional length for any extra space desired between displays. (See Figure 1)
4. Mark center of upper display onto column. (See Figure 1)

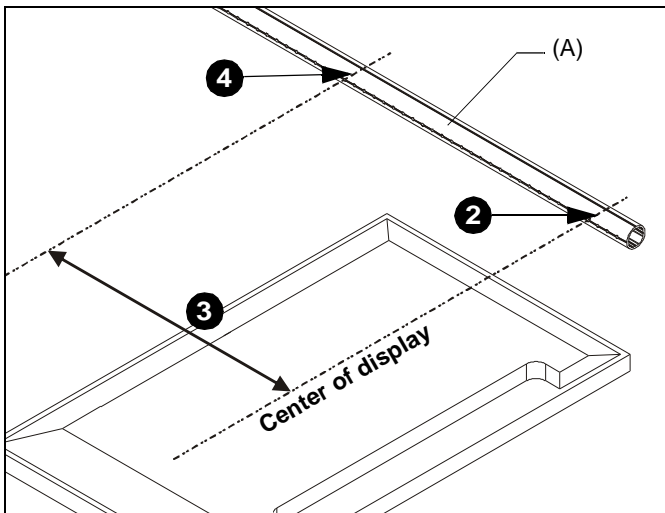


Figure 1

5. Install column following instructions included with column.

### Installing MCB1U / LCB1U

1. Install MCB1U / LCB1U mounts (B) onto column following instructions included with MCB1U/LCB1U.

**IMPORTANT ! :** Match the center marks on the MCB1U/ LCB1U mounts with the marks on the column. (See Figure 2)

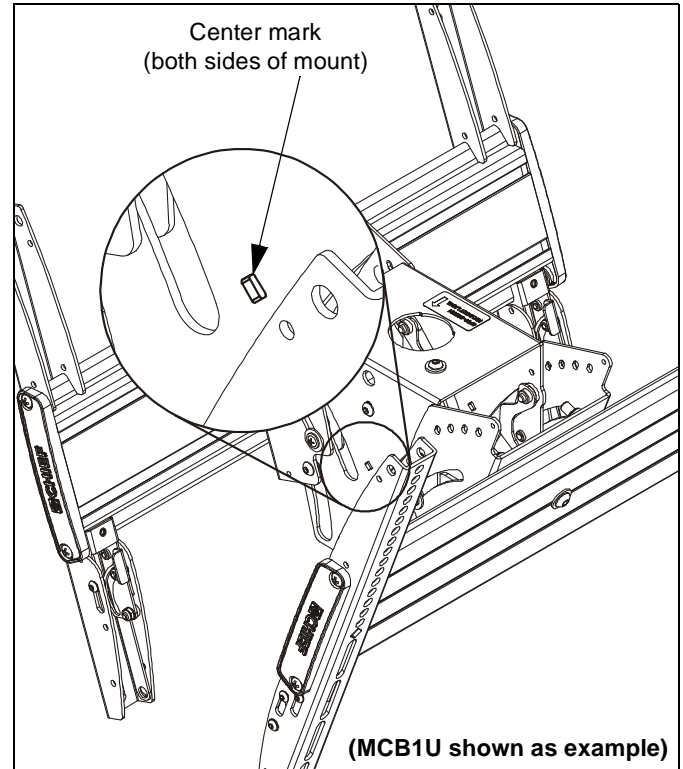


Figure 2

2. Complete installation following instructions included with MCB1U/LCB1U.





Our Mounts. **Your Vision.**

Chief, a products division of  
Milestone AV Technologies

8800-002405 Rev00  
©2014 Milestone AV Technologies, a  
Duchossois Group Company  
[www.chiefmfg.com](http://www.chiefmfg.com)  
02/14

<b>USA/International</b>	<b>A</b> 6436 City West Parkway, Eden Prairie, MN 55344
	<b>P</b> 800.582.6480 / 952.225.6000
	<b>F</b> 877.894.6918 / 952.894.6918
<b>Europe</b>	<b>A</b> Franklinstraat 14, 6003 DK Weert, Netherlands
	<b>P</b> +31 (0) 495 580 852
	<b>F</b> +31 (0) 495 580 845
<b>Asia Pacific</b>	<b>A</b> Office No. 1 on 12/F, Shatin Galleria 18-24 Shan Mei Street Fotan, Shatin, Hong Kong
	<b>P</b> 852 2145 4099
	<b>F</b> 852 2145 4477

