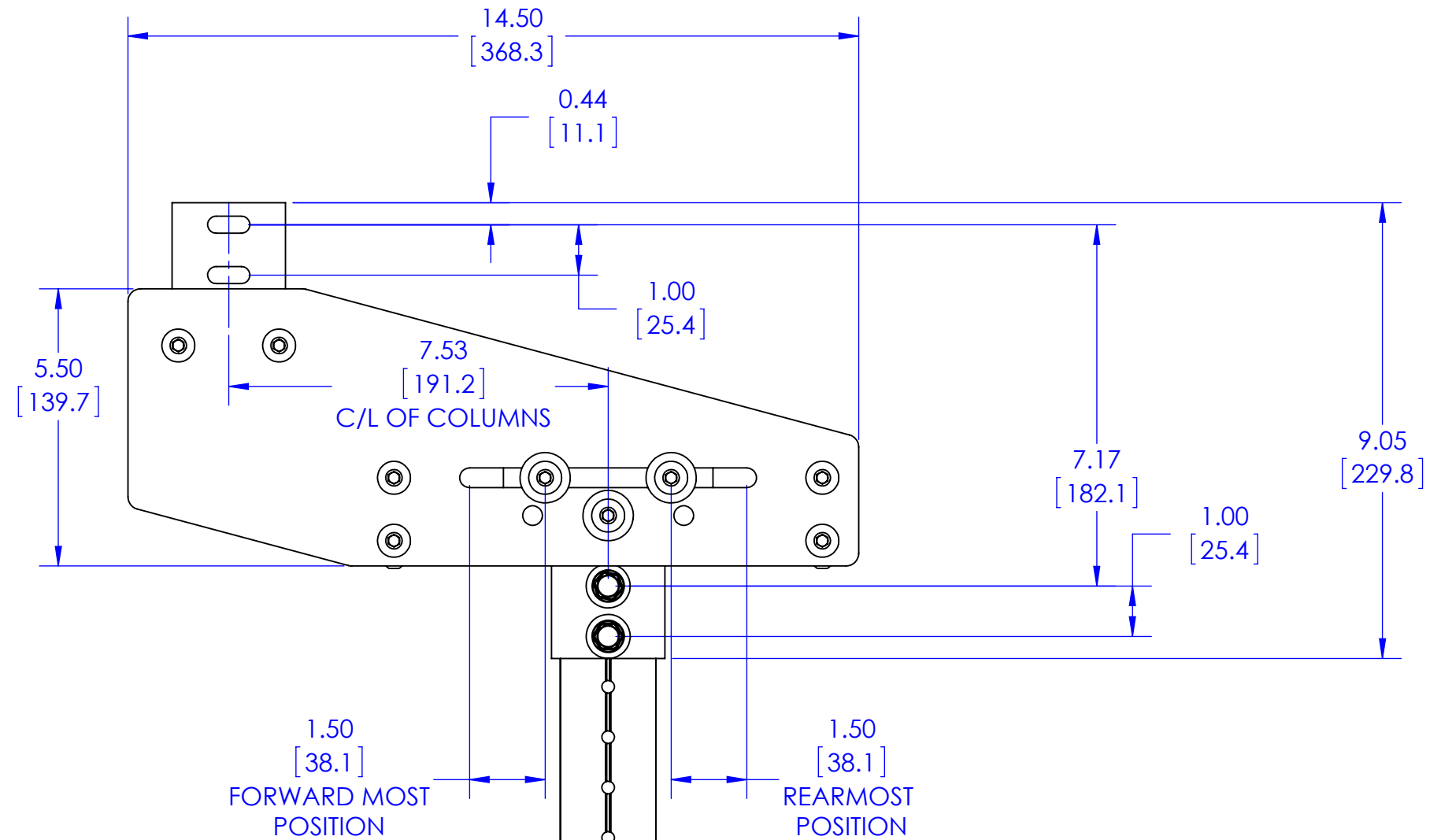
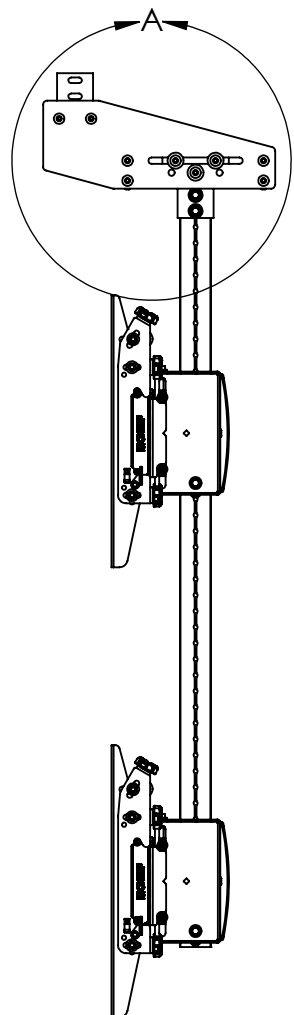


THE INFORMATION AND DESIGNS CONTAINED IN THIS DRAWING ARE CONFIDENTIAL AND THE PROPRIETARY PROPERTY OF MILESTONE AV TECHNOLOGIES NEITHER THIS DESIGN NOR ANY INFORMATION CONTAINED IN THIS DRAWING MAY BE REPRODUCED OR DISCLOSED TO OTHERS WITHOUT THE EXPRESS WRITTEN CONSENT OF MILESTONE AV TECHNOLOGIES.

CAD GENERATED DRAWING, DO NOT MANUALLY UPDATE.			8401 EAGLE CREEK PKWY SAVAGE MN, 55378 PHONE: 888-888-8888 FAX: 999-999-9999	
DRAWN BY	JAB 11/29/2012		DESCRIPTION <b>LCM2X2U TECH DRAWING</b>	
ENG APPROVAL		MODEL NO. <b>LCM2X2U TECH DRAWING</b>		
MFG APPROVAL		SCALE	SIZE	DWG. NO.
QA APPROVAL		SHEET 1 OF 5	1:12	B TECH-000259
				REV. 00



OFFSET SHOULD BE PUT IN THE FORWARD MOST POSITION FOR SCREENS LESS THAN 2.5" DEEP

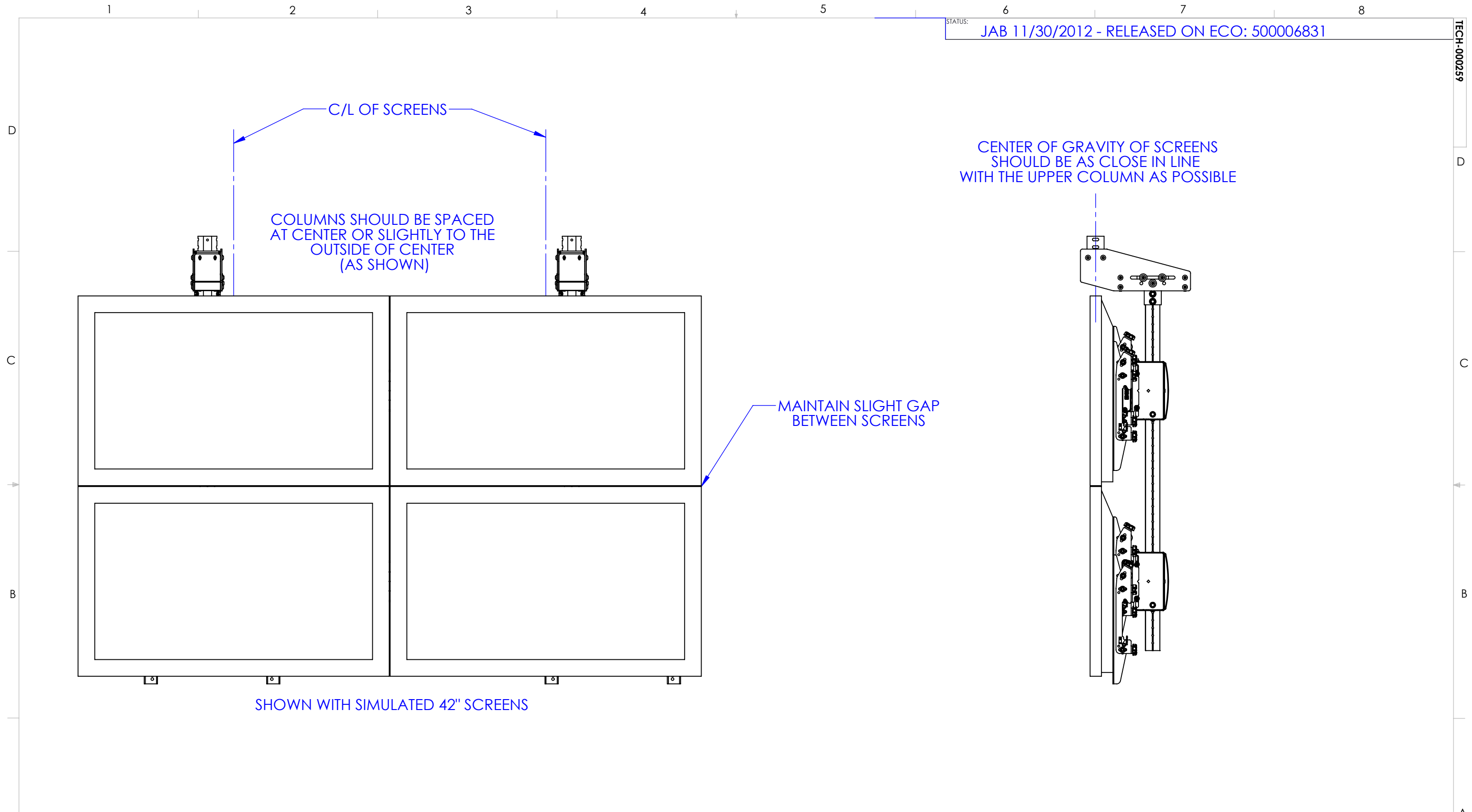
OFFSET SHOULD BE PUT IN THE REAR MOST POSITION FOR SCREENS GREATER THAN 4.5" DEEP

DETAIL A  
SCALE 1 : 3

OFFSET SHOULD BE PUT IN THE CENTER POSITION FOR SCREENS BETWEEN 2.5" AND 4.5" DEEP

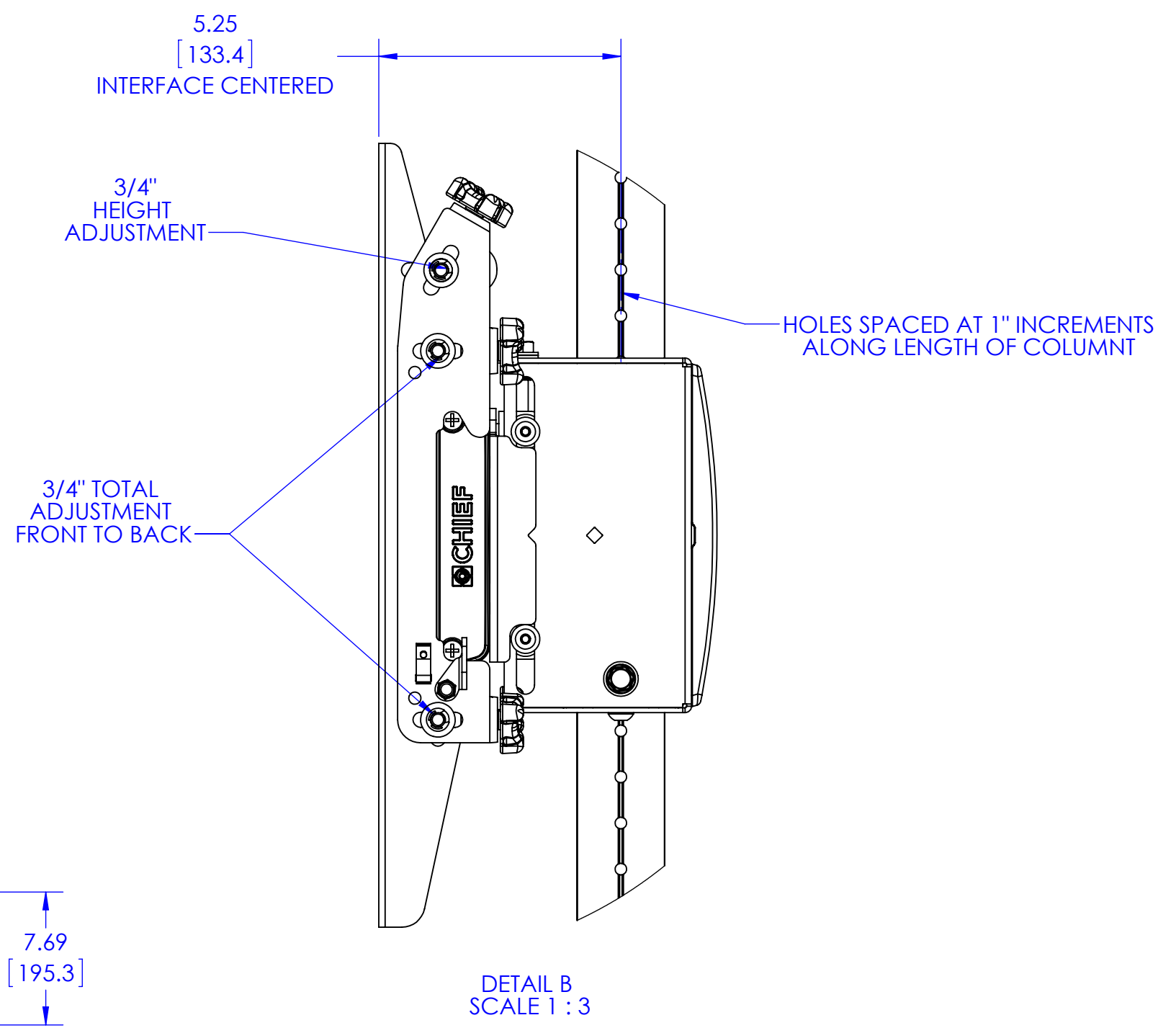
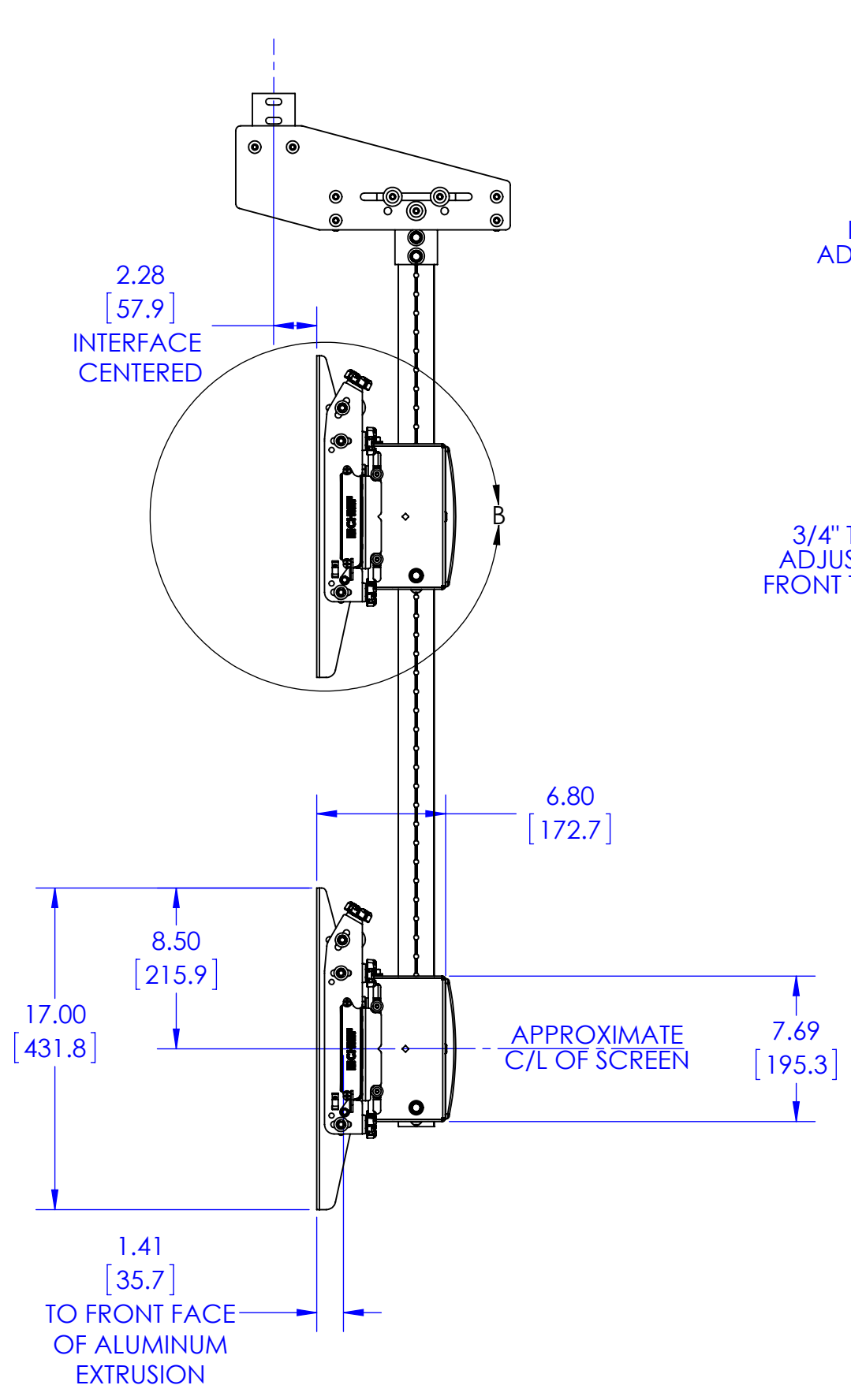
**THE INFORMATION AND DESIGNS CONTAINED IN THIS DRAWING ARE CONFIDENTIAL AND THE PROPRIETARY PROPERTY OF MILESTONE AV TECHNOLOGIES NEITHER THIS DESIGN NOR ANY INFORMATION CONTAINED IN THIS DRAWING MAY BE REPRODUCED OR DISCLOSED TO OTHERS WITHOUT THE EXPRESS WRITTEN CONSENT OF MILESTONE AV TECHNOLOGIES.**

CAD GENERATED DRAWING, DO NOT MANUALLY UPDATE.				8401 EAGLE CREEK PKWY SAVAGE MN, 55378 PHONE: 888-888-8888 FAX: 999-999-9999	
DRAWN BY	JAB	11/29/2012		DESCRIPTION <b>LCM2X2U TECH DRAWING</b>	
ENG APPROVAL			MODEL NO. <b>LCM2X2U TECH DRAWING</b>		
MFG APPROVAL			SIZE	DWG. NO.	REV.
QA APPROVAL			B	TECH-000259	00
SHEET 2 OF 5			SCALE		
			1:12		



**THE INFORMATION AND DESIGNS CONTAINED IN THIS DRAWING ARE CONFIDENTIAL AND THE PROPRIETARY PROPERTY OF MILESTONE AV TECHNOLOGIES NEITHER THIS DESIGN NOR ANY INFORMATION CONTAINED IN THIS DRAWING MAY BE REPRODUCED OR DISCLOSED TO OTHERS WITHOUT THE EXPRESS WRITTEN CONSENT OF MILESTONE AV TECHNOLOGIES.**

CAD GENERATED DRAWING, DO NOT MANUALLY UPDATE.			8401 EAGLE CREEK PKWY SAVAGE MN, 55378 PHONE: 888-888-8888 FAX: 999-999-9999
DRAWN BY	JAB	11/29/2012	
ENG APPROVAL			DESCRIPTION
MFG APPROVAL			LCM2X2U TECH DRAWING
QA APPROVAL			MODEL NO.
SHEET 3 OF 5			LCM2X2U TECH DRAWING
SCALE	1:12	SIZE	DWG. NO.
		B	TECH-000259
			REV.
			00

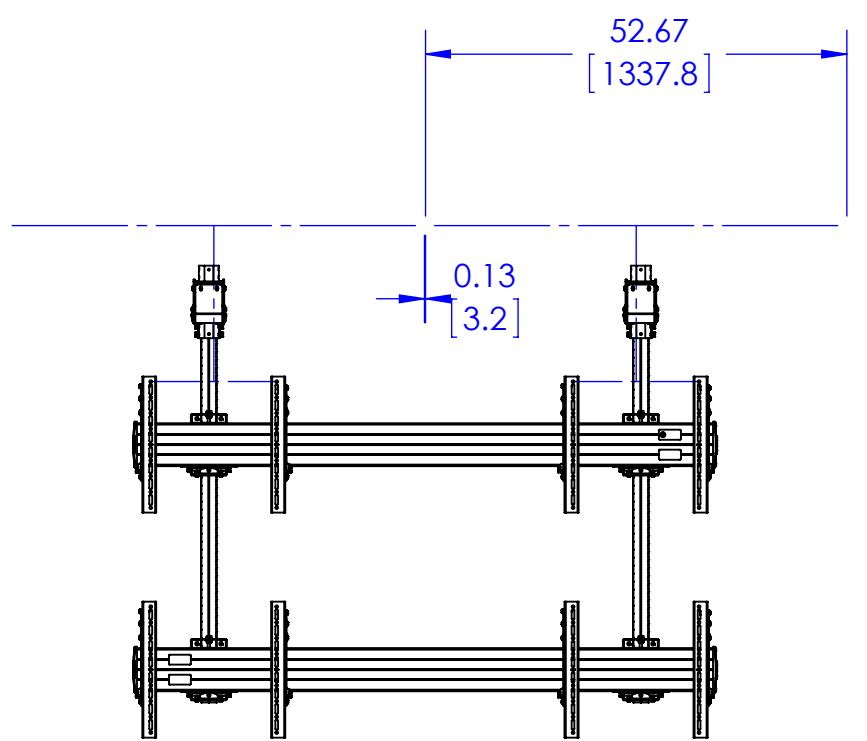


THE INFORMATION AND DESIGNS CONTAINED IN THIS DRAWING ARE CONFIDENTIAL AND THE PROPRIETARY PROPERTY OF MILESTONE AV TECHNOLOGIES NEITHER THIS DESIGN NOR ANY INFORMATION CONTAINED IN THIS DRAWING MAY BE REPRODUCED OR DISCLOSED TO OTHERS WITHOUT THE EXPRESS WRITTEN CONSENT OF MILESTONE AV TECHNOLOGIES.

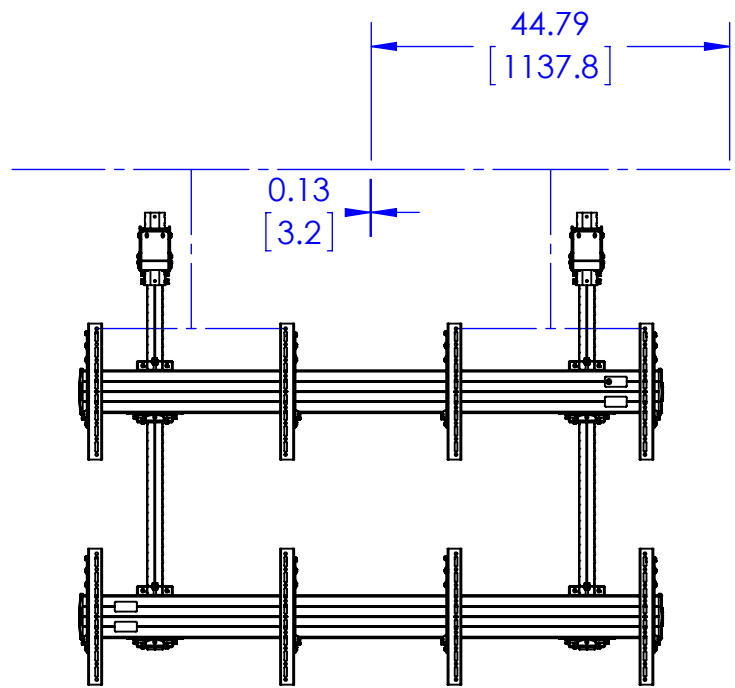
CAD GENERATED DRAWING, DO NOT MANUALLY UPDATE.			<p>8401 EAGLE CREEK PKWY SAVAGE MN, 55378 PHONE: 888-888-8888 FAX: 999-999-9999</p>
DRAWN BY	JAB	11/29/2012	
ENG APPROVAL			DESCRIPTION
MFG APPROVAL			LCM2X2U TECH DRAWING
QA APPROVAL			MODEL NO.
			LCM2X2U TECH DRAWING
SHEET 4 OF 5	SCALE	SIZE	DWG. NO.
	1:16	B	TECH-000259
			REV.
			00

D  
C  
B  
A

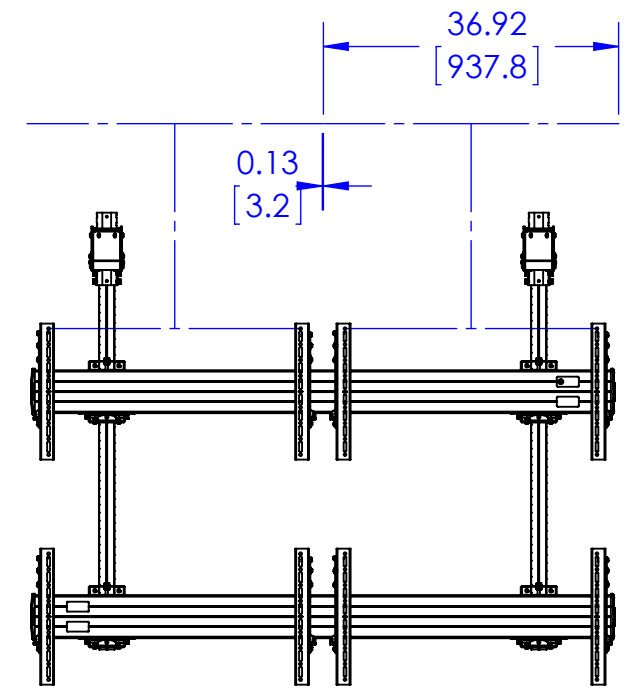
D  
C  
B  
A



MAX SCREEN WIDTH  
400 mm MOUNTING PATTERN




MAX SCREEN WIDTH  
600 mm MOUNTING PATTERN



MAX SCREEN WIDTH  
800 mm MOUNTING PATTERN

**THE INFORMATION AND DESIGNS CONTAINED IN THIS DRAWING ARE CONFIDENTIAL AND THE PROPRIETARY PROPERTY OF MILESTONE AV TECHNOLOGIES NEITHER THIS DESIGN NOR ANY INFORMATION CONTAINED IN THIS DRAWING MAY BE REPRODUCED OR DISCLOSED TO OTHERS WITHOUT THE EXPRESS WRITTEN CONSENT OF MILESTONE AV TECHNOLOGIES.**

CAD GENERATED DRAWING, DO NOT MANUALLY UPDATE.			 8401 EAGLE CREEK PKWY SAVAGE MN, 55378 PHONE: 888-888-8888 FAX: 999-999-9999		
DRAWN BY	JAB	11/29/2012			
ENG APPROVAL			DESCRIPTION <b>LCM2X2U TECH DRAWING</b>		
MFG APPROVAL					
QA APPROVAL			MODEL NO. <b>LCM2X2U TECH DRAWING</b>		
SHEET 5 OF 5		SCALE 1:16	SIZE B	DWG. NO. TECH-000259	REV. 00