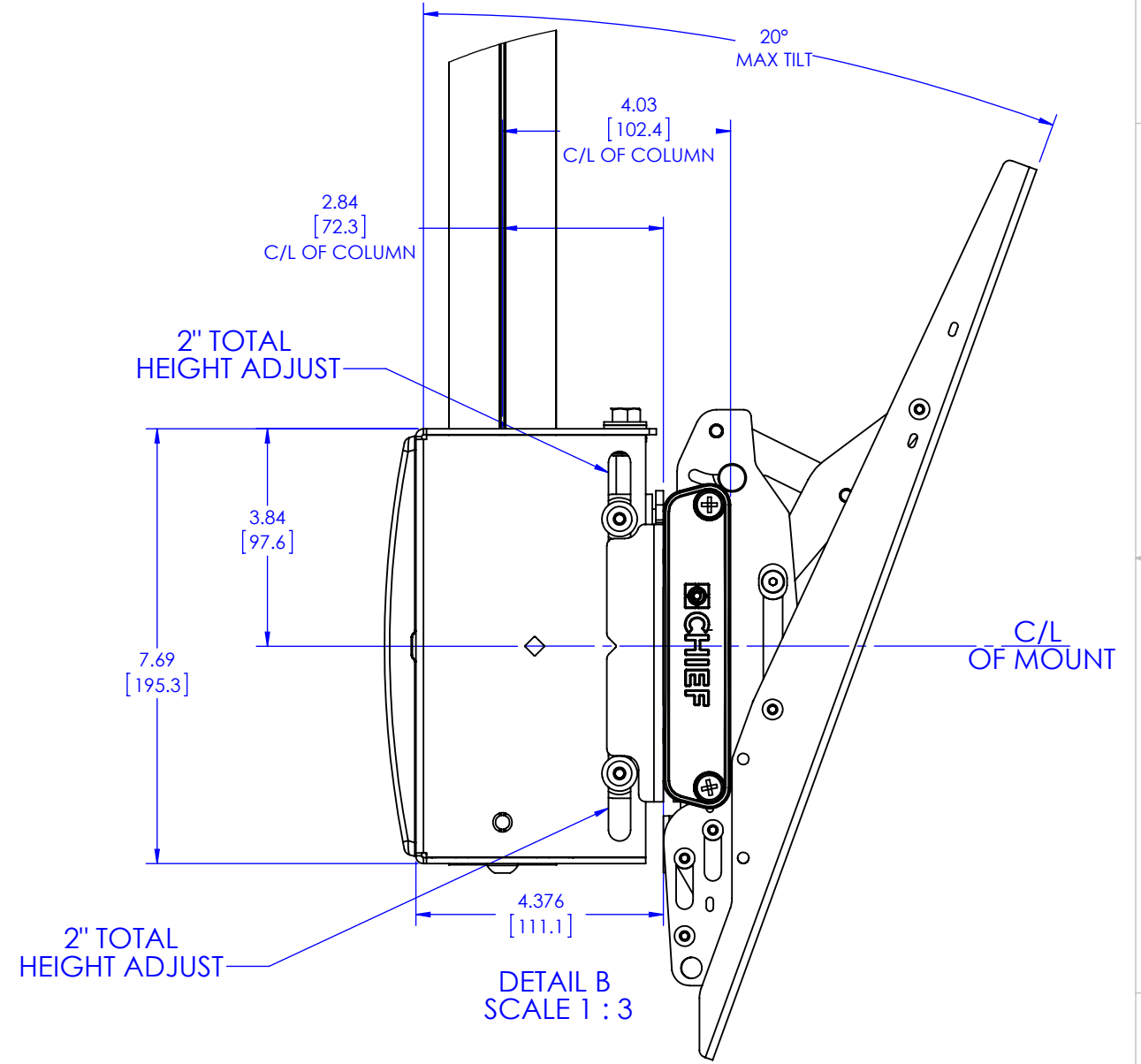
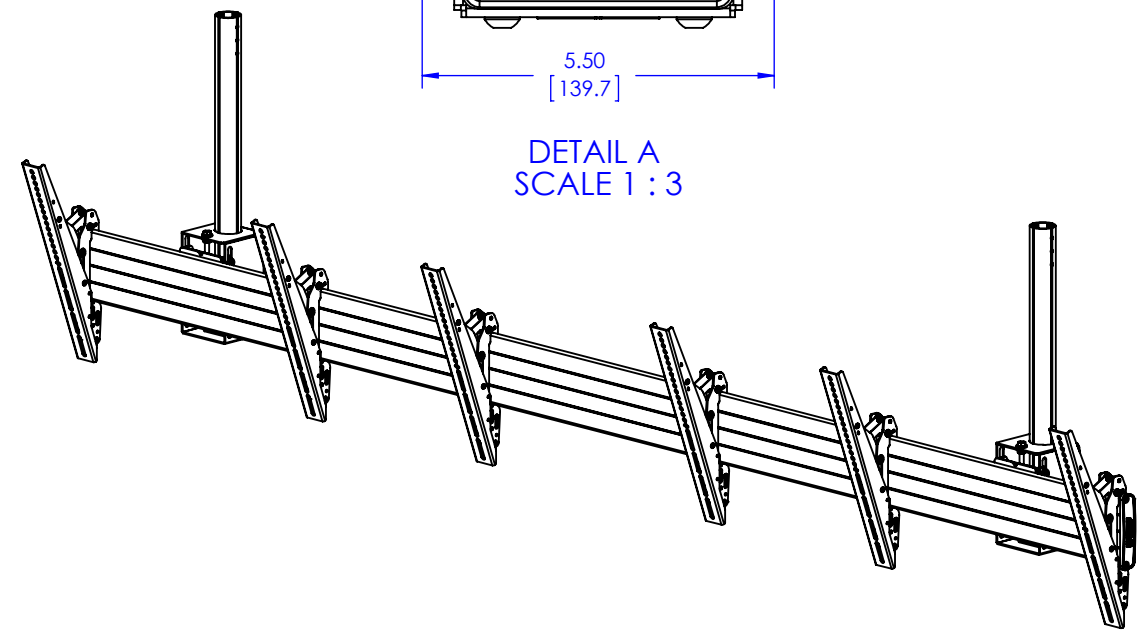


DETAIL A
SCALE 1 : 3

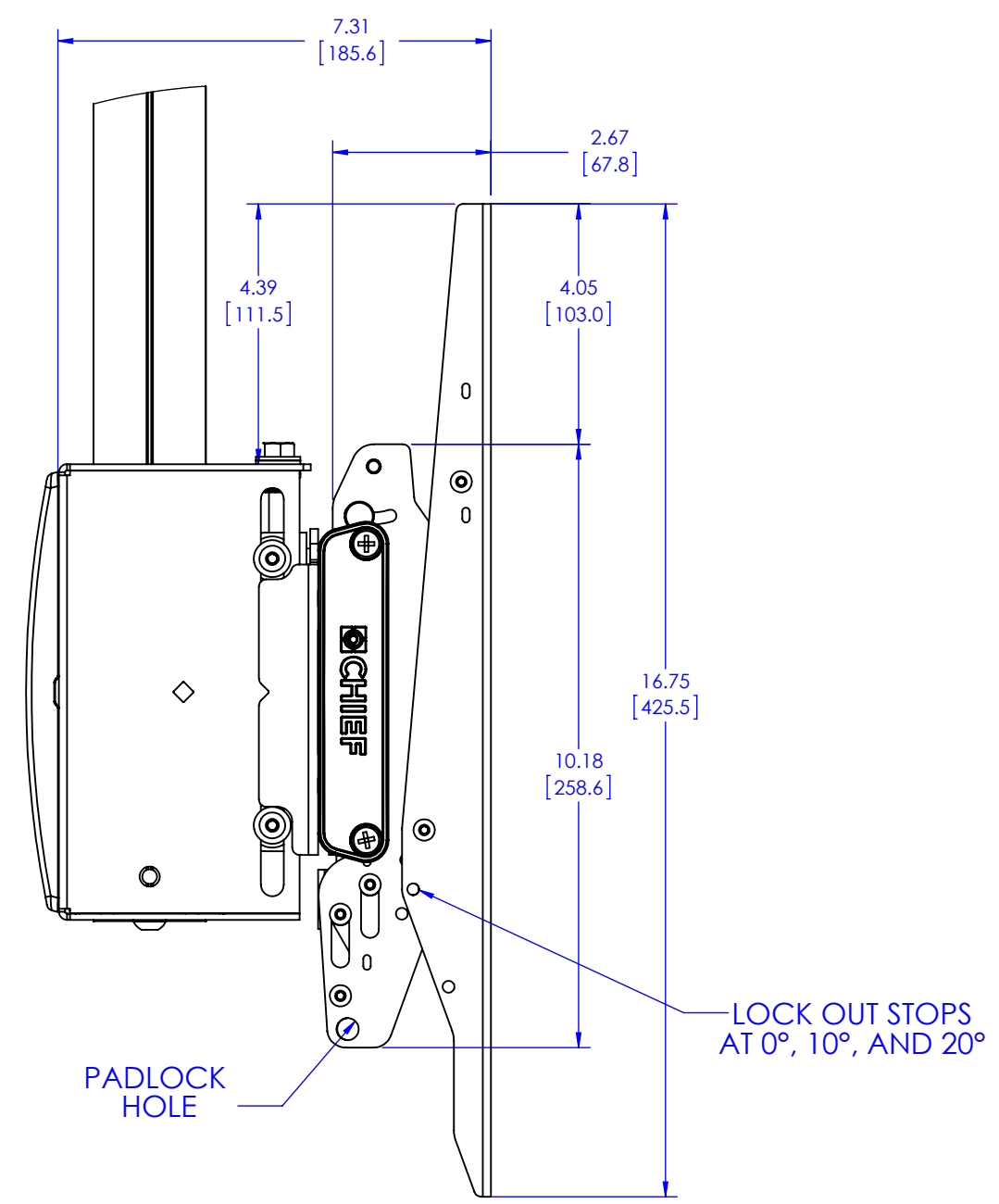
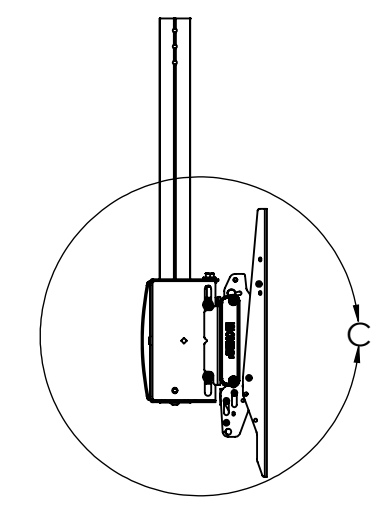


DETAIL B
SCALE 1 : 3

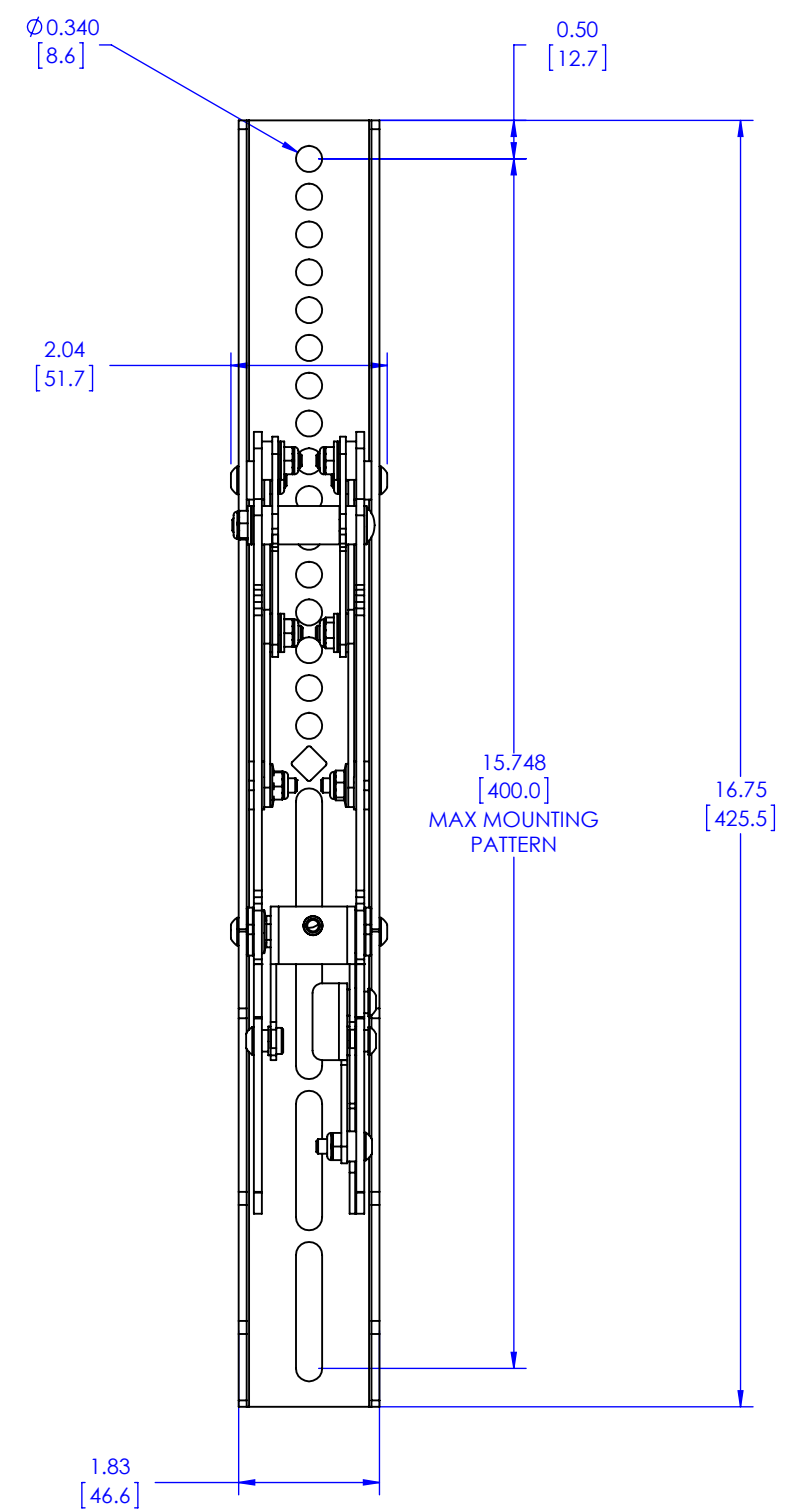


THE INFORMATION AND DESIGNS CONTAINED IN THIS DRAWING ARE CONFIDENTIAL AND THE PROPRIETARY PROPERTY OF MILESTONE AV TECHNOLOGIES NEITHER THIS DESIGN NOR ANY INFORMATION CONTAINED IN THIS DRAWING MAY BE REPRODUCED OR DISCLOSED TO OTHERS WITHOUT THE EXPRESS WRITTEN CONSENT OF MILESTONE AV TECHNOLOGIES.

CAD GENERATED DRAWING, DO NOT MANUALLY UPDATE.				6436 CITY WEST PKWY EDEN PRAIRIE MN, 55344 PHONE: 866-977-3901 FAX: 877-894-6918	
DRAWN BY	JAB	2/22/2013		DESCRIPTION LCM3X1U TECH DRAWING	
ENG APPROVAL			MODEL NO. LCM3X1U		
MFG APPROVAL			SIZE	DWG. NO.	REV.
QA APPROVAL			B	TECH-000333	00
SHEET 1 OF 5			SCALE		
			1:24		

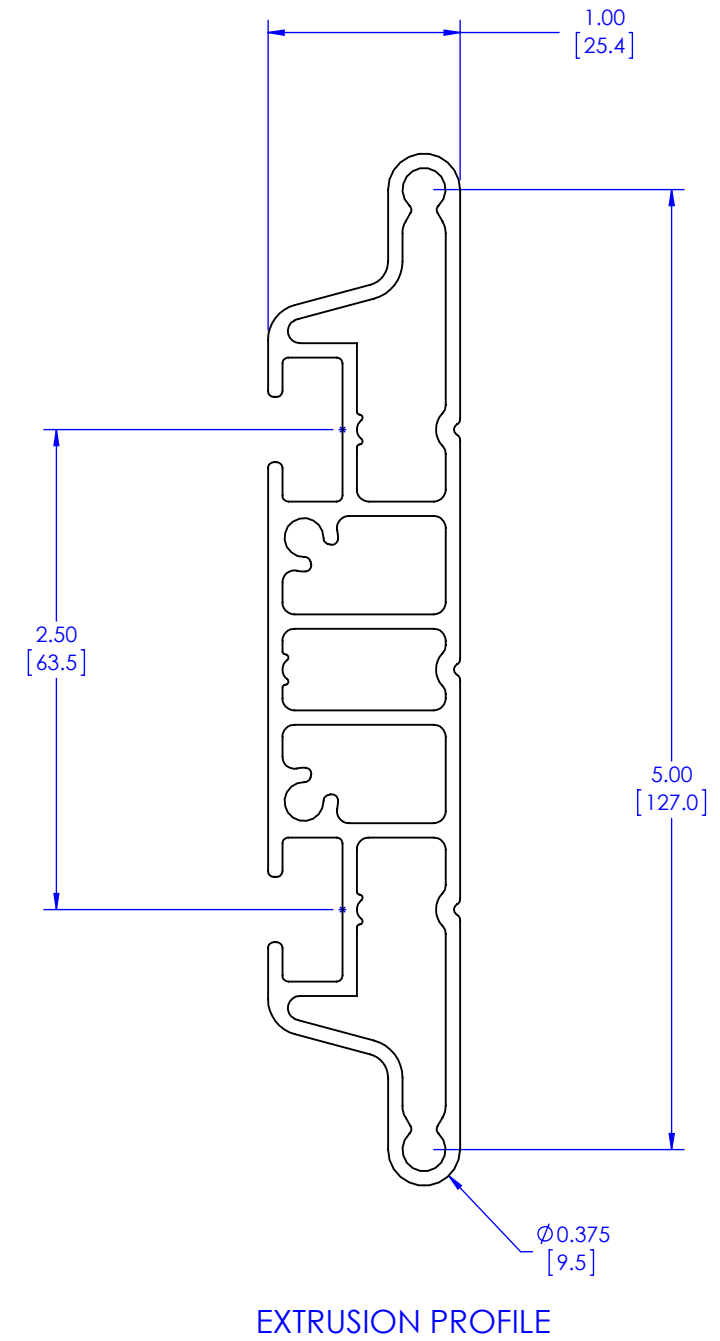


DETAIL C
SCALE 1 : 3

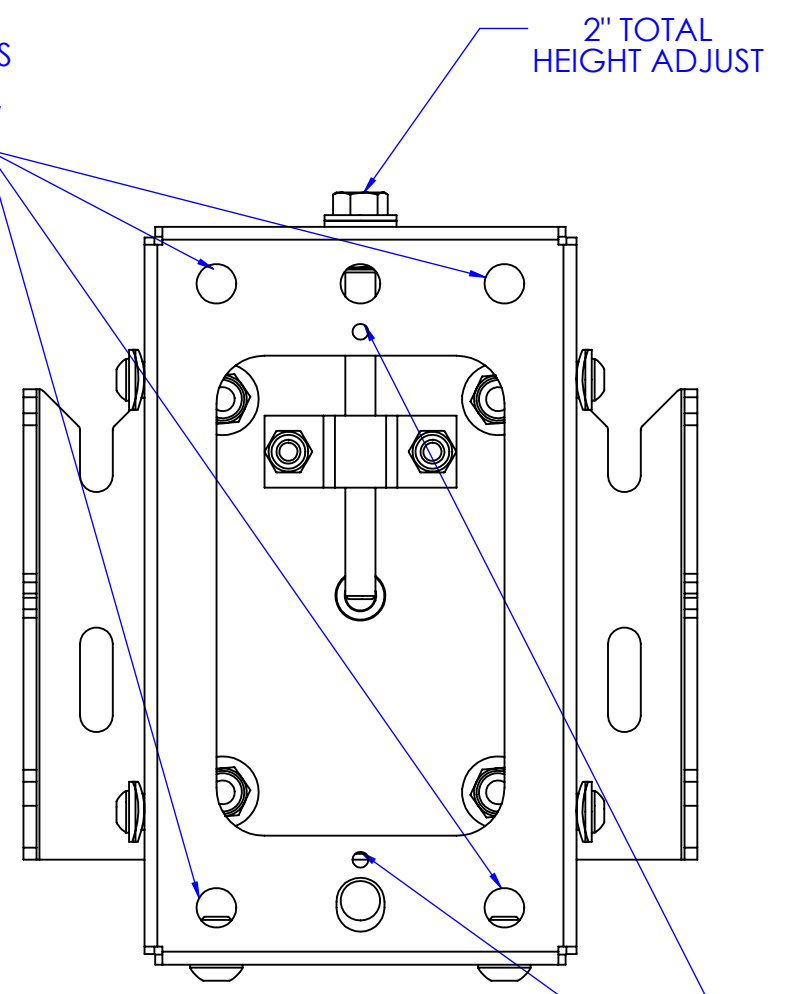


THE INFORMATION AND DESIGNS CONTAINED IN THIS DRAWING ARE CONFIDENTIAL AND THE PROPRIETARY PROPERTY OF MILESTONE AV TECHNOLOGIES NEITHER THIS DESIGN NOR ANY INFORMATION CONTAINED IN THIS DRAWING MAY BE REPRODUCED OR DISCLOSED TO OTHERS WITHOUT THE EXPRESS WRITTEN CONSENT OF MILESTONE AV TECHNOLOGIES.

CAD GENERATED DRAWING, DO NOT MANUALLY UPDATE.			6436 CITY WEST PKWY EDEN PRAIRIE MN, 55344 PHONE: 866-977-3901 FAX: 877-894-6918						
DRAWN BY	JAB	2/22/2013							
ENG APPROVAL			DESCRIPTION						
MFG APPROVAL			LCM3X1U TECH DRAWING						
QA APPROVAL			MODEL NO.						
SHEET 2 OF 5			SCALE	1:24	SIZE	DWG. NO.	TECH-000333	REV.	00



FOR MOUNTING
OPTIONAL CPU ENCLOSURES
FCA510 AND FCA515
OR ATTACHING BACK ROW
FOR MENU BOARD



MOUNTING HEAD
BACK VIEW

FOR ATTACHING
FCA540 OUTLET
BOX ACCESSORY

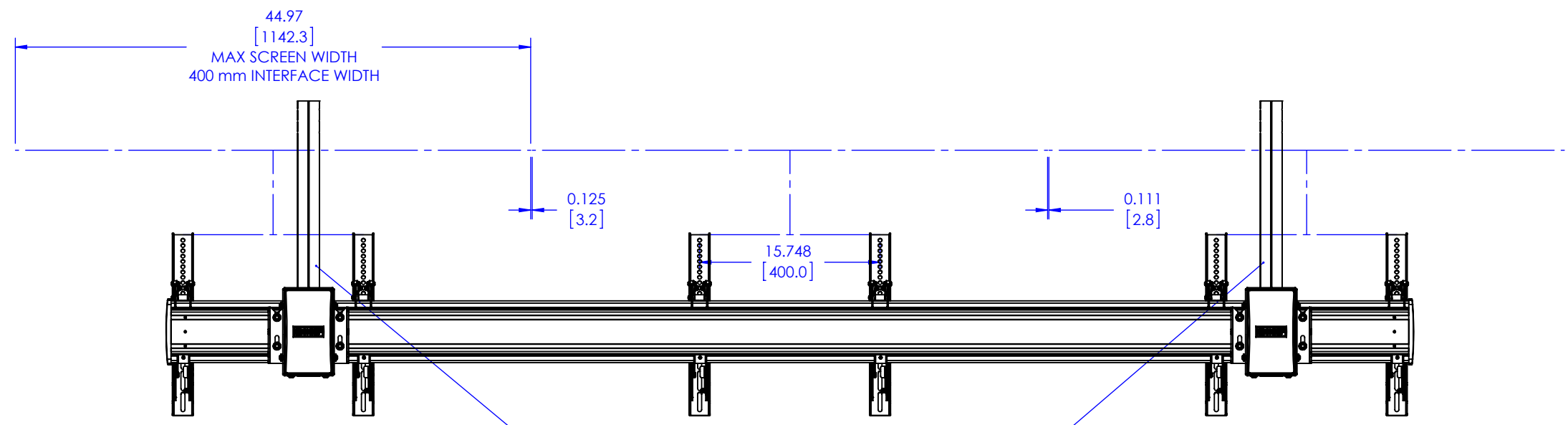
THE INFORMATION AND DESIGNS CONTAINED IN THIS DRAWING ARE CONFIDENTIAL AND THE PROPRIETARY PROPERTY OF MILESTONE AV TECHNOLOGIES NEITHER THIS DESIGN NOR ANY INFORMATION CONTAINED IN THIS DRAWING MAY BE REPRODUCED OR DISCLOSED TO OTHERS WITHOUT THE EXPRESS WRITTEN CONSENT OF MILESTONE AV TECHNOLOGIES.

CAD GENERATED DRAWING, DO NOT MANUALLY UPDATE.		
DRAWN BY	JAB	2/22/2013
ENG APPROVAL		
MFG APPROVAL		
QA APPROVAL		
SHEET 3 OF 5		

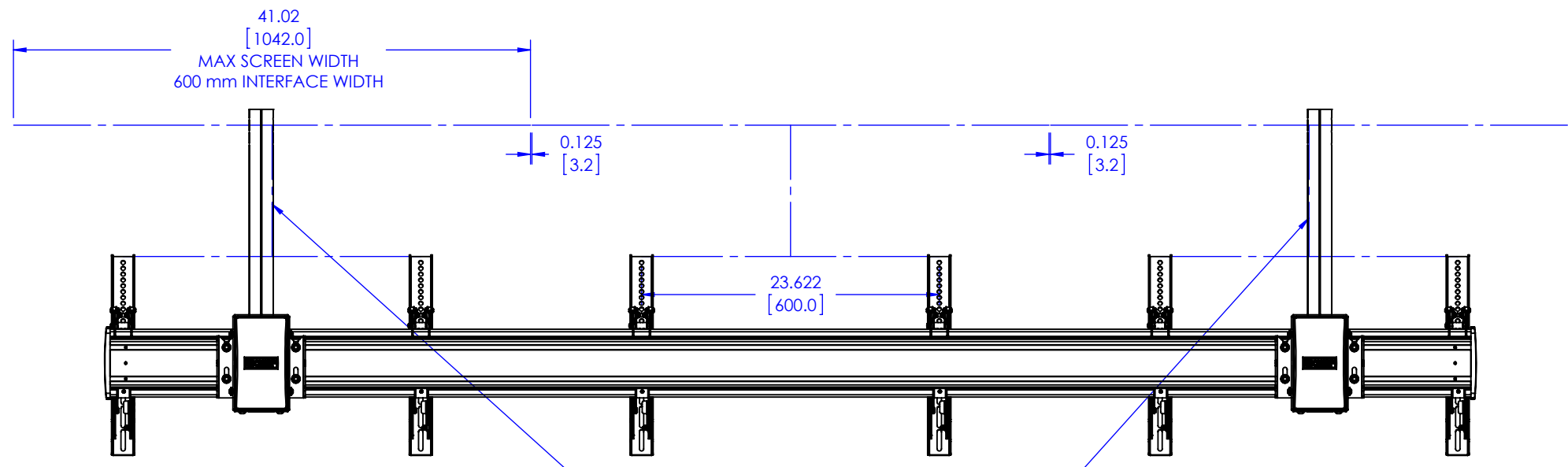
	6436 CITY WEST PKWY EDEN PRAIRIE MN, 55344 PHONE: 866-977-3901 FAX: 877-894-6918	
	DESCRIPTION	
LCM3X1U TECH DRAWING		MODEL NO.
LCM3X1U		REV.
SCALE	SIZE	DWG. NO.
1:4	B	TECH-000333
		00

D
C
B
A

D
C
B
A



COLUMNS SOLD SEPARATELY



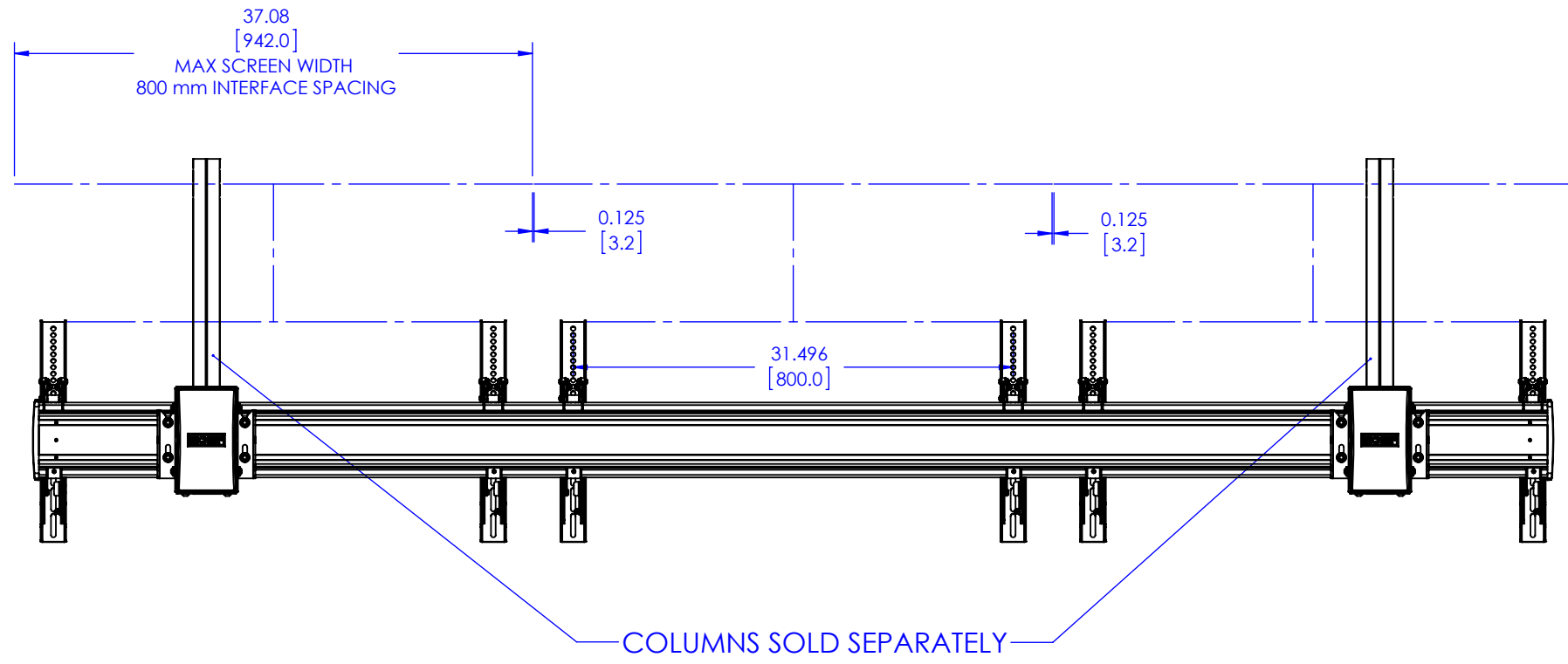
COLUMNS SOLD SEPARATELY

THE INFORMATION AND DESIGNS CONTAINED IN THIS DRAWING ARE CONFIDENTIAL AND THE PROPRIETARY PROPERTY OF MILESTONE AV TECHNOLOGIES NEITHER THIS DESIGN NOR ANY INFORMATION CONTAINED IN THIS DRAWING MAY BE REPRODUCED OR DISCLOSED TO OTHERS WITHOUT THE EXPRESS WRITTEN CONSENT OF MILESTONE AV TECHNOLOGIES.

CAD GENERATED DRAWING, DO NOT MANUALLY UPDATE.			6436 CITY WEST PKWY EDEN PRAIRIE MN, 55344 PHONE: 866-977-3901 FAX: 877-894-6918
DRAWN BY	JAB	2/22/2013	
ENG APPROVAL			DESCRIPTION
MFG APPROVAL			LCM3X1U TECH DRAWING
QA APPROVAL			MODEL NO.
SHEET 4 OF 5			LCM3X1U
SCALE	1:24	SIZE	DWG. NO.
		B	TECH-000333
			REV.
			00

1 2 3 4 5 6 7 8

1 2 3 4 5 6 7 8



THE INFORMATION AND DESIGNS CONTAINED IN THIS DRAWING ARE CONFIDENTIAL AND THE PROPRIETARY PROPERTY OF MILESTONE AV TECHNOLOGIES NEITHER THIS DESIGN NOR ANY INFORMATION CONTAINED IN THIS DRAWING MAY BE REPRODUCED OR DISCLOSED TO OTHERS WITHOUT THE EXPRESS WRITTEN CONSENT OF MILESTONE AV TECHNOLOGIES.

CAD GENERATED DRAWING, DO NOT MANUALLY UPDATE.			6436 CITY WEST PKWY EDEN PRAIRIE MN, 55344 PHONE: 866-977-3901 FAX: 877-894-6918
DRAWN BY	JAB	2/22/2013	
ENG APPROVAL			DESCRIPTION LCM3X1U TECH DRAWING
MFG APPROVAL			MODEL NO. LCM3X1U
QA APPROVAL			SIZE DWG. NO. B TECH-000333
SHEET 5 OF 5		SCALE 1:24	REV. 00