

---

# INSTALLATION INSTRUCTIONS

---

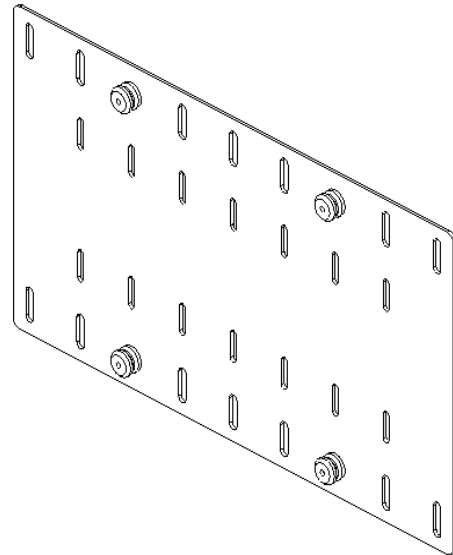
## Medium Flat Panel Universal Interface Bracket (MSB-V)

The MSB-V interface bracket functions as the universal mounting solution for medium flat panel displays.

The MSB-V is compatible with a multitude of medium flat panel displays that have different mounting hole-patterns (refer to Table 2).

The MSB-V is shipped assembled with several parts bags that include spacers for recessed mounting applications and a variety of attachment screws in different lengths.

The mounting buttons that attach to the MSB-V interface bracket are installed in the 200mm x 200mm hole pattern. The mounting buttons are coupled with the teardrop shaped slots on the specific mid-sized mount. The latching flag on the mount is used to lock the display in place. This mounting method is called the Q-Latch™ mounting system. Mounting, locking, and removing your display in place is simple, safe, and easy, particularly when maintenance is necessary.



MSB-V

### BEFORE YOU BEGIN

---

- **CAUTION:** To prevent damage to your monitor and MSB-V, which could affect or void the factory warranty, thoroughly study all instructions and illustrations before you begin to install the mount. Pay particular attention to the Warnings and Cautions in this document.
- Refer to “WEIGHT SPECIFICATIONS” on page 2 for the maximum weight to be installed on the MSB-V.
- If you have any questions about this installation, contact Chief Manufacturing.



## IMPORTANT WARNINGS and CAUTIONS!

- WARNING** A **WARNING** alerts you to the possibility of serious injury or death if you do not follow the instructions.
- CAUTION** A **CAUTION** alerts you to the possibility of damage or destruction of equipment if you do not follow the corresponding instructions.
- **WARNING:** **Improper installation can result in serious personal injury! Make sure that the mounting surface structural members can support a redundant weight factor *five times* the total weight of the equipment. If not, reinforce the mounting surface structural members before installing the mount.**
  - **WARNING:** **You must use proper attaching hardware and installation procedures. Failure to use proper attaching hardware and installation procedures may result in equipment damage or serious personal injury.**
  - **WARNING:** **Be aware of the potential for personal injury or damage to the unit if it is not adequately mounted.**
  - **WARNING:** **The installer is responsible for verifying that the mounting surface structural members to which the mount is anchored will safely support the combined load of all attached components or other equipment.**
  - **WARNING:** **See “WEIGHT SPECIFICATIONS” on page 2.**
  - **CAUTION** Check the unit for shipping damage before you begin the installation.
  - **CAUTION** Over-tightening mounting screws may damage your flat panel display.

## WEIGHT SPECIFICATIONS

The MSB-V is used with several Listed medium flat panel mounts that have weight ratings from 75 lbs (34.01kg) to 125 lbs (56.69kg).

The weight rating for the mount is specified in the instruction manual that is provided with the mount.

The Listed Mount installation instructions will identify Model MSB-V interface brackets.

### **WARNING:**

**The weight of the medium flat panel display must not exceed the maximum support weight of the mount.**

# CONTENTS

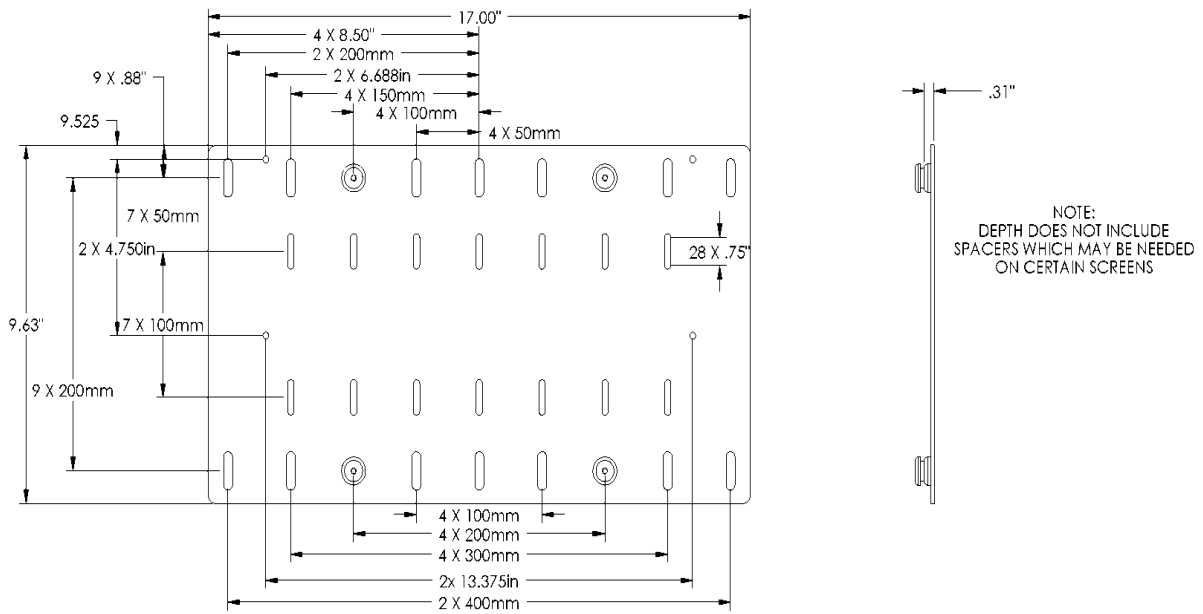
- WEIGHT SPECIFICATIONS ..... 2
- TOOLS REQUIRED FOR INSTALLATION..... 3
- DIMENSIONS ..... 3
- PARTS ..... 4
- INSPECT PARTS FOR SHIPPING DAMAGE..... 5
- INSPECT PARTS BAGS ..... 5
- MOUNTING HOLE PATTERNS ..... 5
- INSTALLATION..... 6
  - Using Spacers with the MSB-V ..... 6
  - 100mm x 100mm Pattern ..... 7
  - 200mm x 100mm Pattern ..... 7
  - 300mm x 100mm Pattern ..... 7
  - 300mm x 200mm Pattern ..... 8
  - 400mm x 200mm Pattern ..... 8
  - 200mm x 200mm Pattern ..... 9
  - Install Display on Chief Mount ..... 10

# TOOLS REQUIRED FOR INSTALLATION

- Phillips screwdrivers, No. 1 and No. 2

**NOTE:** Other tools may be required depending on your method of installation.

# DIMENSIONS



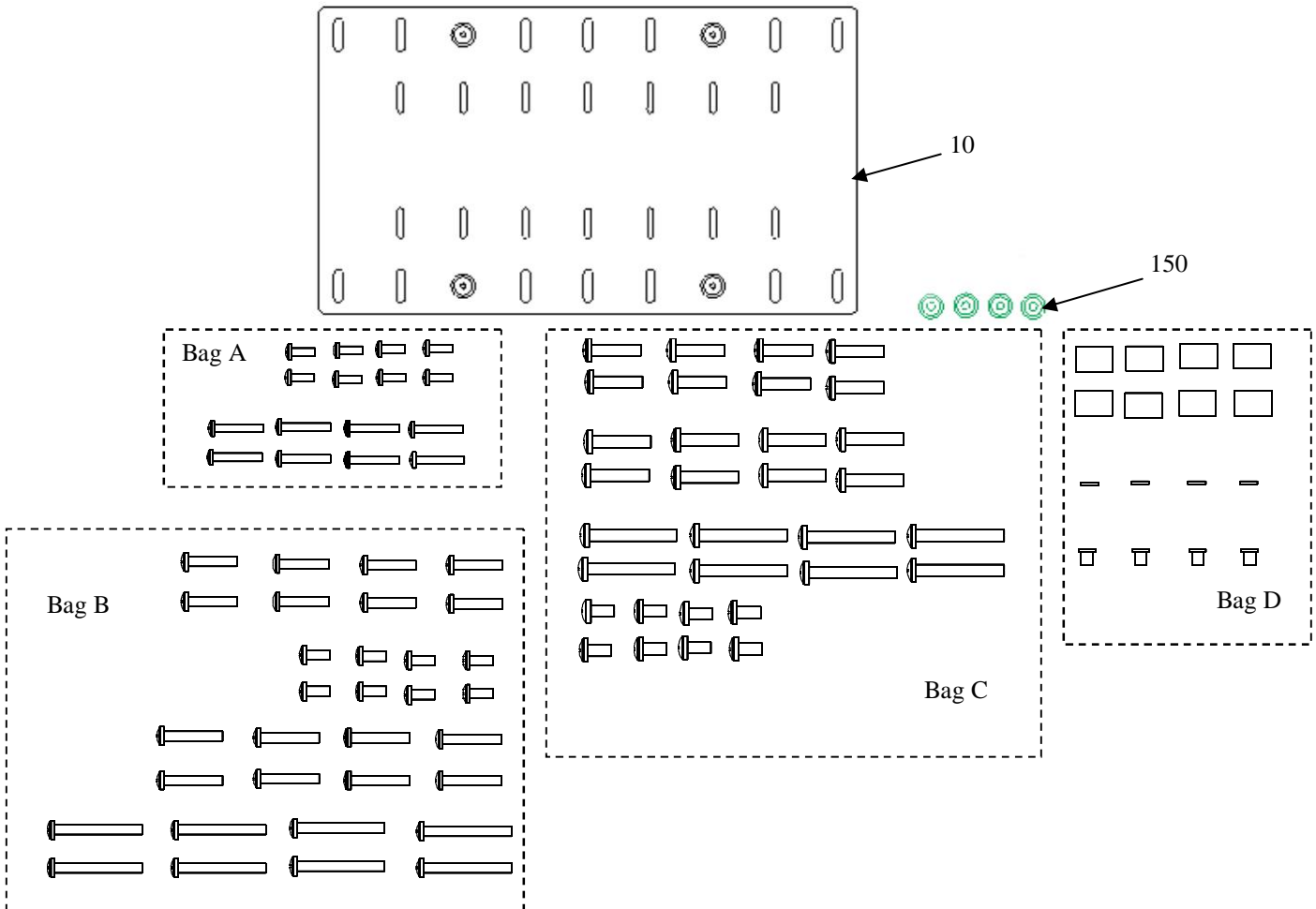
**Figure 1. Dimensions**

# PARTS

Table 1 shows the parts bags that are shipped with the MSB-V universal interface bracket.

**Table 1. Parts List**

Item	Bag	Description	Qty	Notes
10	10	MSB-V with attached Mounting Buttons	1	
20	A	Phillips Head Cap Screw, M4 X 12mm	8	No spacers needed.
30		Phillips Head Cap Screw, M4 X 25mm	8	
40	B	Phillips Head Cap Screw, M5 X 12mm	8	
50		Phillips Head Cap Screw, M5 X 25mm	8	
60		Phillips Head Cap Screw, M5 X 30mm	8	
70		Phillips Head Cap Screw, M5 X 45mm	8	
80	C	Phillips Head Cap Screw, M6 X 12mm	8	No spacers needed.
90		Phillips Head Cap Screw, M6 X 25mm	8	
100		Phillips Head Cap Screw, M6 X 30mm	8	
110		Phillips Head Cap Screw, M6 X 45mm	8	
120	D	Nylon Spacer, .750 x .344 x .50	8	
130		Washer, Flat, M4	4	
140		Shoulder Washer, 6mm OD x 4.1 ID x 7mm	4	
150	Not labeled	Mounting Buttons	4	Used with 200mm x 200mm mounting patterns.



## INSPECT PARTS FOR SHIPPING DAMAGE

1. Carefully inspect the parts for shipping damage.
2. If any damage is apparent, call your carrier agent and do not continue with the installation until the carrier has reviewed the damage.

## INSPECT PARTS BAGS

1. Carefully inspect the parts bags. For reference, see Table 1.
2. If any components or parts are missing, contact Chief Manufacturing.

**NOTE:** Read all assembly instructions before starting assembly.

## MOUNTING HOLE PATTERNS

Table 2 provides a cross-reference list of the mounting patterns used with the MSB-V.

The MSB-V is adaptable to a multitude of mounting hole-patterns that are supplied on medium flat panel displays, as shown Table 2.

**Table 2. Mounting Hole Patterns**

<b>MSB-V</b>
Compatible with the following VESA Patterns: <ul style="list-style-type: none"> <li>• 100 x 100mm</li> <li>• 200 x 100mm</li> <li>• 200 x 200mm (M6 and M4 screws)</li> <li>• 300 x 100mm</li> <li>• 300 x 200mm</li> <li>• 400 x 200mm</li> </ul>

# INSTALLATION

The following sections describe how to install the MSB-V interface for a specific hole-pattern on your display.

## Using Spacers with the MSB-V

**WARNING:**

**You must use proper attaching hardware and installation procedures. Failure to use proper attaching hardware and installation procedures may result in equipment damage or serious personal injury.**

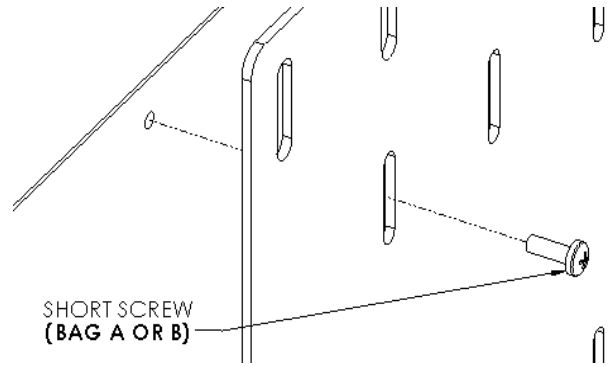
1. Lay the MSB-V (10) over the mounting holes on the back of the display, making sure to center the interface bracket as much as possible.

**NOTES**

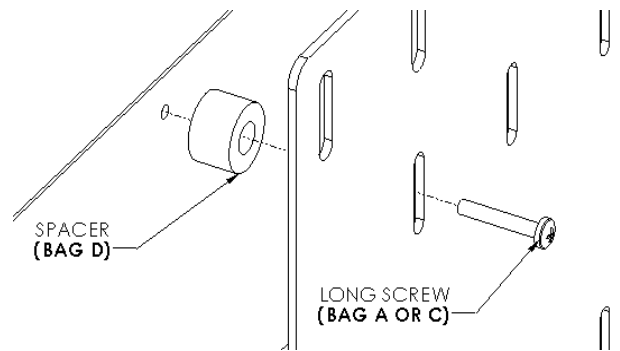
- Spacers from Bag D (see Figure 3) may be needed if mounting holes of display are recessed or if screen has a protrusion that would require the MSB-V interface to be spaced away from the back of the display.
  - Select screws from Bags A, B or C (see Figure 2), or (see Figure 3) if mounting holes of display are recessed or if screen has a protrusion that would require the MSB-V interface to be spaced away from the back of the display.
2. Perform the appropriate procedure, *as described in the following sections*, to attach the MSB-V (10) to back of display.

**WARNING:**

**The above recommendations on screw and spacer length are to be used as a guideline. You must use proper hardware size and length depending on your screen. Using improper hardware may result in equipment damage or serious personal injury.**



**Figure 2. For a Display without a Recess or Protrusion**



**Figure 3. For a Display with a Recess or Protrusion**

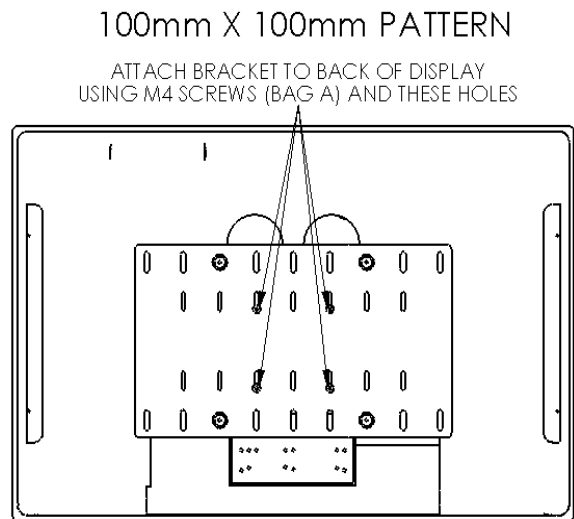
### 100mm x 100mm Pattern

For the 100mm x 100mm hole pattern, do the following:

**NOTE**

Before starting this procedure, complete the “Using Spacers with the MSB-V” procedure.

1. Select four M4 screws from Bag A.
2. Attach the MSB-V (10) using the hole-pattern on the back of your display as shown in Figure 4.
3. Tighten each screw. To prevent equipment damage, do not over-tighten the screws.



**Figure 4. Display with 100mm x 100mm Hole Pattern**

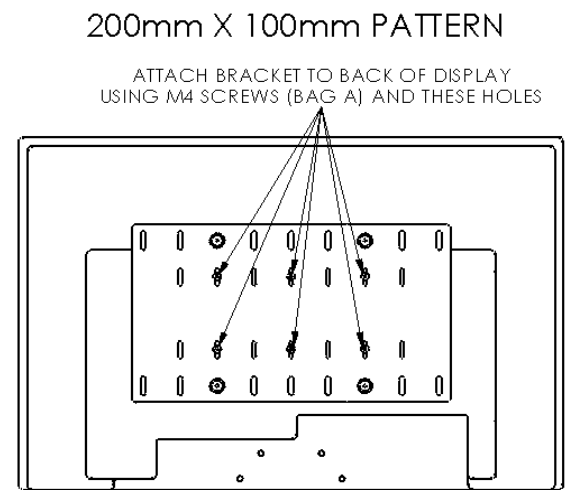
### 200mm x 100mm Pattern

For the 200mm x 100mm hole pattern, do the following:

**NOTE**

Before starting this procedure, complete the “Using Spacers with the MSB-V” procedure.

1. Select six M4 screws from Bag A.
2. Attach the MSB-V (10) using the hole-pattern on the back of your display as shown in Figure 5.
3. Tighten each screw. To prevent equipment damage, do not over-tighten the screws.



**Figure 5. Display with 200mm x 100mm Hole Pattern**

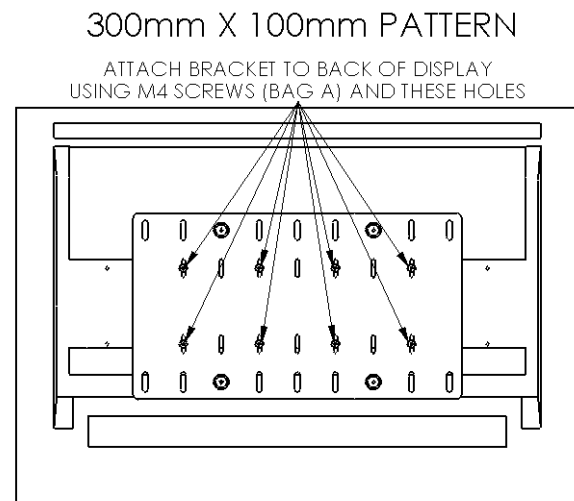
### 300mm x 100mm Pattern

For the 300mm x 100mm hole pattern, do the following:

**NOTE**

Before starting this procedure, complete the “Using Spacers with the MSB-V” procedure.

1. Select eight M4 screws from Bag A.
2. Attach the MSB-V (10) using the hole-pattern on the back of your display as shown in Figure 6.
3. Tighten each screw. To prevent equipment damage, do not over-tighten the screws.



**Figure 6. Display with 300mm x 100mm Hole Pattern**

### 300mm x 200mm Pattern

For the 300mm x 200mm hole pattern, do the following:

**NOTE**

Before starting this procedure, complete the “Using Spacers with the MSB-V” procedure.

1. Select eight M5 or M6 screws from Bag B or Bag C.
2. Attach the MSB-V (10) using the hole-pattern on the back of your display as shown in Figure 7.
3. Tighten each screw. To prevent equipment damage, do not over-tighten the screws.

300mm X 200mm PATTERN  
ATTACH BRACKET THROUGH THESE HOLES

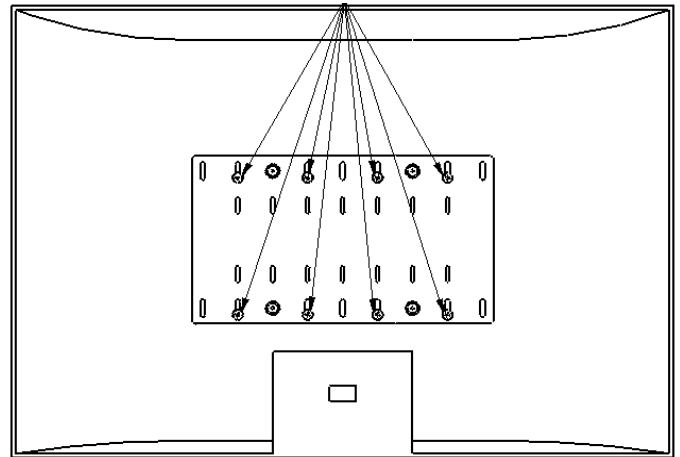


Figure 7. Display with 300mm x 200mm Hole Pattern

### 400mm x 200mm Pattern

For the 400mm x 200mm hole pattern, do the following:

**NOTE**

Before starting this procedure, complete the “Using Spacers with the MSB-V” procedure.

1. Select six M5 or M6 screws from Bag B or Bag C.
2. Attach the MSB-V (10) using the hole-pattern on the back of your display as shown in Figure 8.
3. Tighten each screw. To prevent equipment damage, do not over-tighten the screws.

400mm X 200mm PATTERN  
ATTACH BRACKET THROUGH THESE HOLES

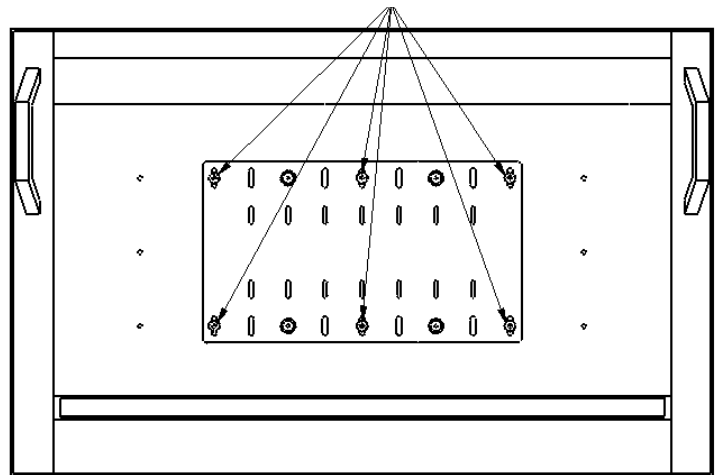


Figure 8. Display with 400mm x 200mm Hole Pattern



### 200mm x 200mm Pattern

For the 200mm x 200mm hole pattern, do the following:

**WARNING:**

**You must use proper attaching hardware and installation procedures. Failure to use proper attaching hardware and installation procedures may result in equipment damage or serious personal injury.**

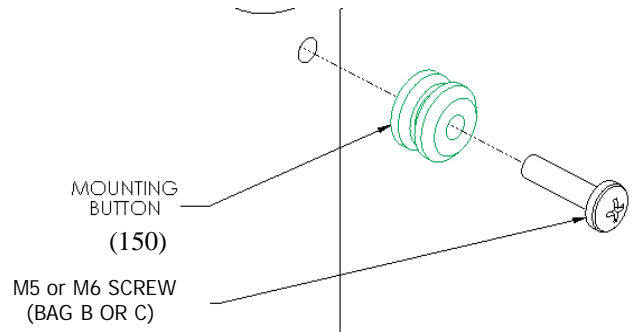
1. Select the appropriate method, listed below, to attach the four mounting buttons (see Figure 9) to the back of your display:
  - As shown in Figure 9 and Figure 10, use four M5 or M6 screws (Bag B or C) to attach the four mounting buttons (150) to your display.

**OR**

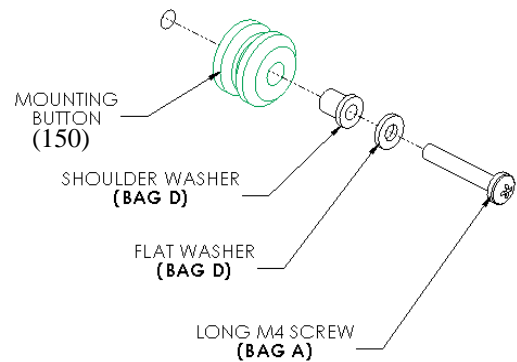
- As shown in Figure 9 and Figure 11, use four shoulder washers (Bag D), four flat washers (Bag D), and four M4 screws (Bag A) to attach the four mounting buttons (150) to your display.

**OR**

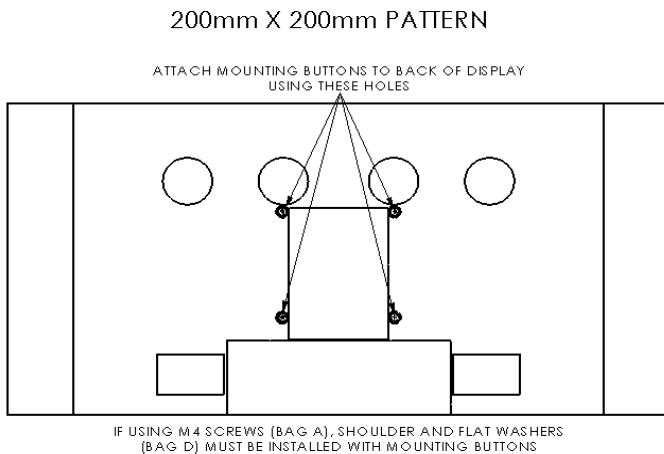
  - If 200mm x 200mm hole pattern is shifted high on the screen (e.g., Samsung LNR-Series), attach the MSB-V (10) vertically with four M5 or M6 screws (Bag B or C) as shown in Figure 12.
2. Tighten each screw. To prevent equipment damage, do not over-tighten the screws.



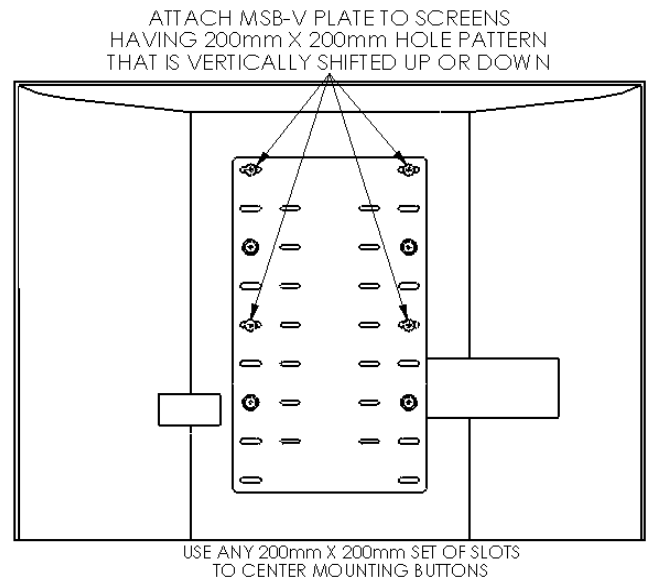
**Figure 10. Attach Mounting Buttons to Display Using M5 or M6 Screws**



**Figure 11. Attach Mounting Buttons to Display Using Shoulder Washers, Flat Washers, and M4 Screws**



**Figure 9. Display with 200mm x 200mm Hole Pattern**



**Figure 12. Attach MSB-V to Display with Vertically Shifted Hole Pattern**

## Install Display on Chief Mount

To install the flat panel display on the Chief mount, do the following:

1. Refer to the manual for proper installation procedures. If needed, use the Web to download the latest installation manual for your Chief mount. Refer to [www.chiefmfg.com](http://www.chiefmfg.com).
2. With the aid of another person, lift your display up to the Chief mount and align the mounting buttons on the MSB-V interface with the teardrop slots in the Chief mount.
3. Lower the safety latch on the Chief mount to secure your display, making sure the latch is completely engaged.



