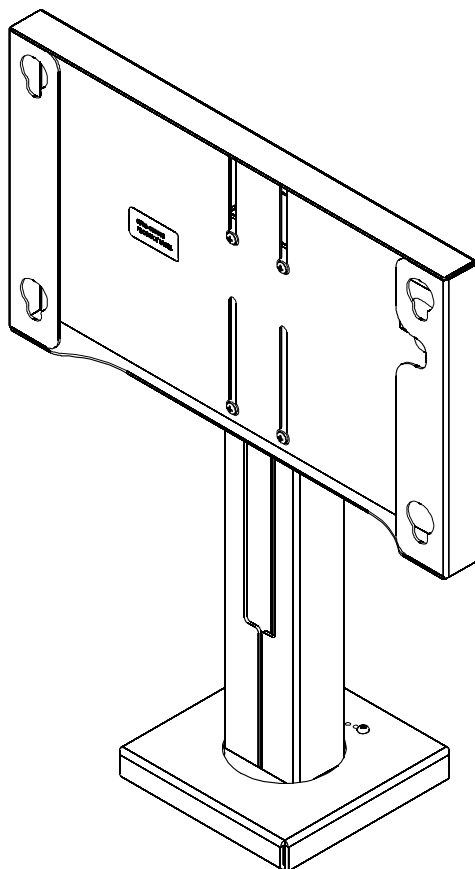

INSTALLATION INSTRUCTIONS



Mid-Size Table Mount

DISCLAIMER

Milestone AV Technologies, and its affiliated corporations and subsidiaries (collectively, "Milestone"), intend to make this manual accurate and complete. However, Milestone makes no claim that the information contained herein covers all details, conditions or variations, nor does it provide for every possible contingency in connection with the installation or use of this product. The information contained in this document is subject to change without notice or obligation of any kind. Milestone makes no representation of warranty, expressed or implied, regarding the information contained herein. Milestone assumes no responsibility for accuracy, completeness or sufficiency of the information contained in this document.

Chief® is a registered trademark of Milestone AV Technologies. All rights reserved.

! IMPORTANT WARNINGS AND CAUTIONS!

! WARNING: A WARNING alerts you to the possibility of serious injury or death if you do not follow the instructions.

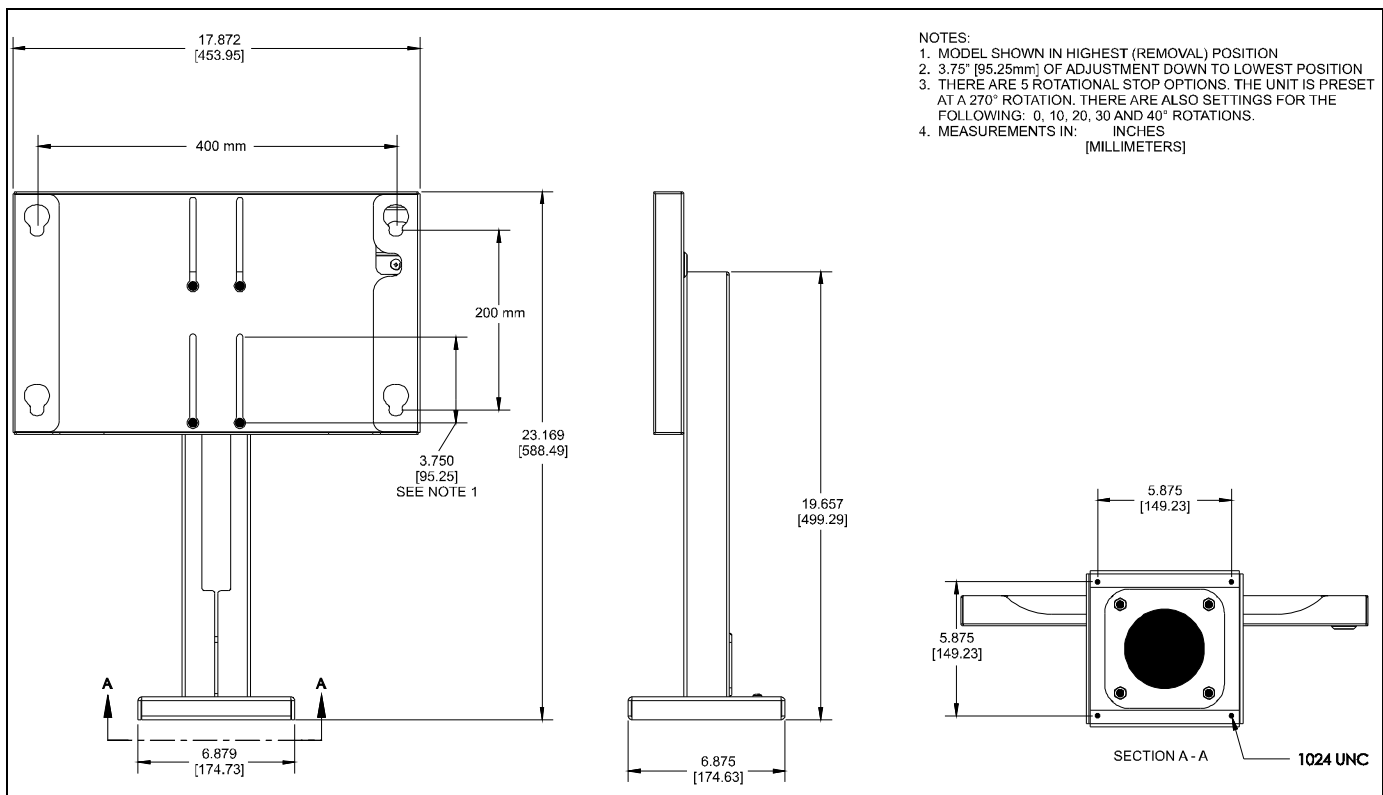
! CAUTION: A CAUTION alerts you to the possibility of damage or destruction of equipment if you do not follow the corresponding instructions.

! WARNING: Failure to read, thoroughly understand, and follow all instructions can result in serious personal injury, damage to equipment, or voiding of factory warranty! It is the installer's responsibility to make sure all components are properly assembled and installed using the instructions provided.


! WARNING: Failure to provide adequate structural strength for this component can result in serious personal injury or damage to equipment! It is the installer's responsibility to make sure the structure to which this component is attached can support five times the combined weight of all equipment. Reinforce the structure as required before installing the component.

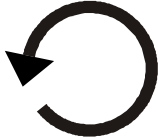
! WARNING: Exceeding the weight capacity can result in serious personal injury or damage to equipment! It is the installer's responsibility to make sure the combined weight of display and mount does not exceed 100 lbs (45.4 kg).


DIMENSIONS




LEGEND


	Tighten Fastener
	Apretar elemento de fijación
	Befestigungsteil festziehen
	Apertar fixador
	Serrare il fissaggio
	Bevestiging vastdraaien
Serrez les fixations	


	Loosen Fastener
	Aflojar elemento de fijación
	Befestigungsteil lösen
	Desapertar fixador
	Allentare il fissaggio
	Bevestiging losdraaien
Desserrez les fixations	


	Phillips Screwdriver
	Destornillador Phillips
	Kreuzschlitzschraubendreher
	Chave de fendas Phillips
	Cacciavite a stella
	Kruiskopschroevendraaier
Tournevis à pointe cruciforme	


	Open-Ended Wrench
	Llave de boca
	Gabelschlüssel
	Chave de bocas
	Chiave a punte aperte
	Steeksleutel
Clé à fourche	


	By Hand
	A mano
	Von Hand
	Com a mão
	A mano
	Met de hand
À la main	


	Hex-Head Wrench
	Llave de cabeza hexagonal
	Sechskantschlüssel
	Chave de cabeça sextavada
	Chiave esagonale
	Zeskantsleutel
Clé à tête hexagonale	


	Pencil Mark
	Marcar con lápiz
	Stiftmarkierung
	Marcar com lápis
	Segno a matita
	Potloodmerkteken
Marquage au crayon	

	Drill Hole
	Perforar
	Bohrloch
	Fazer furo
	Praticare un foro
	Gat boren
Percez un trou	

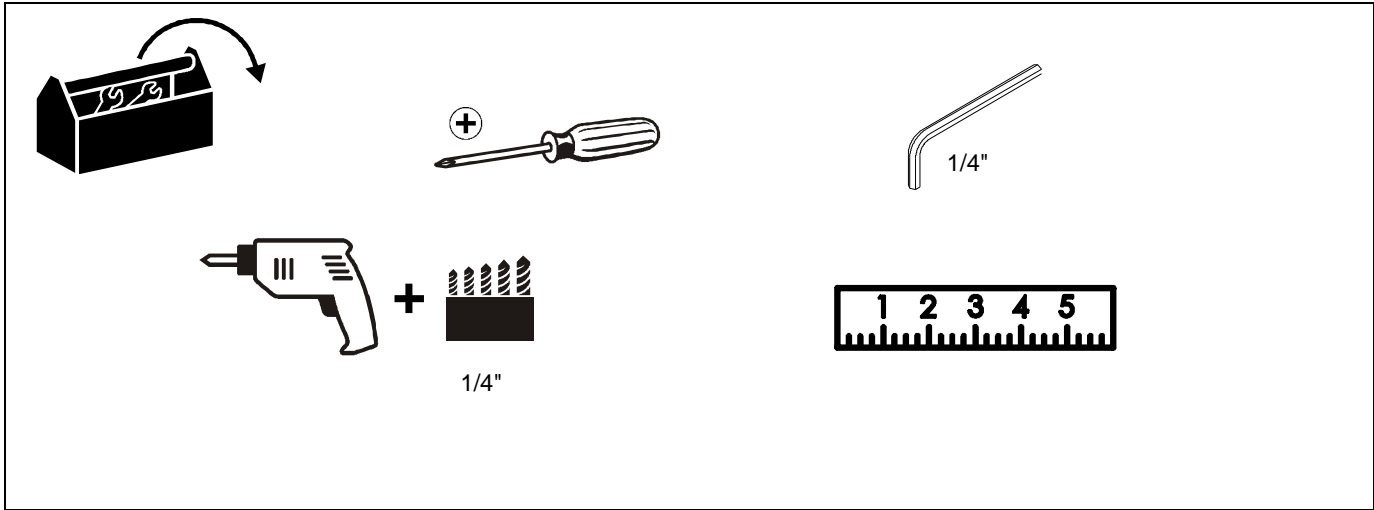
	Adjust
	Ajustar
	Einstellen
	Ajustar
	Regolare
	Afstellen
Ajuster	

	Remove
	Quitar
	Entfernen
	Remover
	Rimuovere
	Verwijderen
Retirez	

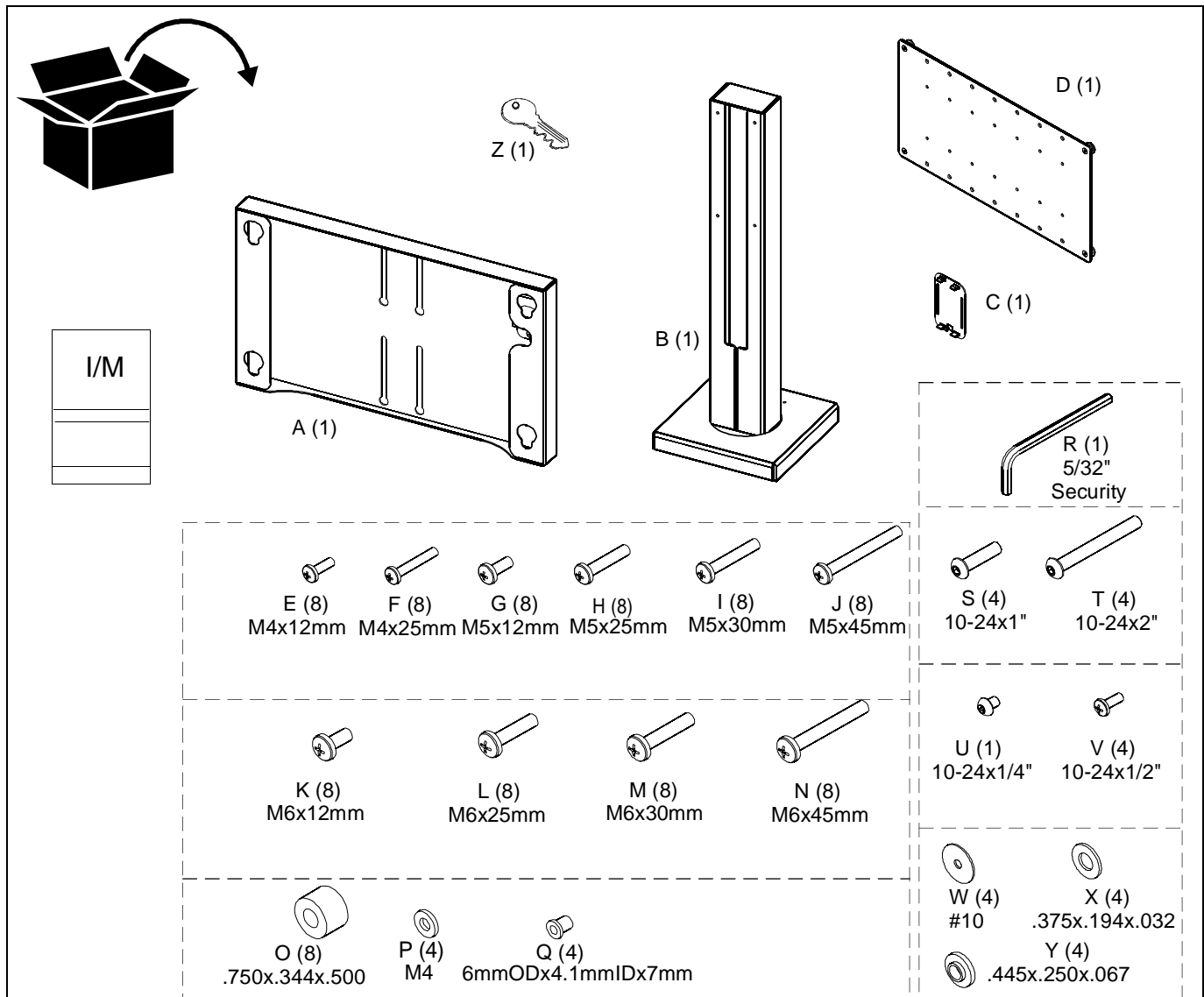
	Optional
	Opcional
	Optional
	Opcional
	Opzionale
	Optie
En option	

	Security Wrench
	Llave de seguridad
	Sicherheitsschlüssel
	Chave de segurança
	Chiave di sicurezza
	Veiligheidssleutel
Clé de sécurité	

TOOLS REQUIRED FOR INSTALLATION



PARTS



ASSEMBLY AND INSTALLATION



WARNING: EXCEEDING WEIGHT CAPACITY CAN RESULT IN SERIOUS PERSONAL INJURY OR DAMAGE TO EQUIPMENT! It is the installer's responsibility to make sure the combined weight of display and mount does not exceed 100 lbs (45.4 kg).



WARNING: TURNING DISPLAY CAN CAUSE DAMAGE TO SURROUNDING OBJECTS. Make certain location provides enough area for the display to rotate $\pm 270^\circ$ without being obstructed, or lock display to a lesser rotation before rotating for the first time.

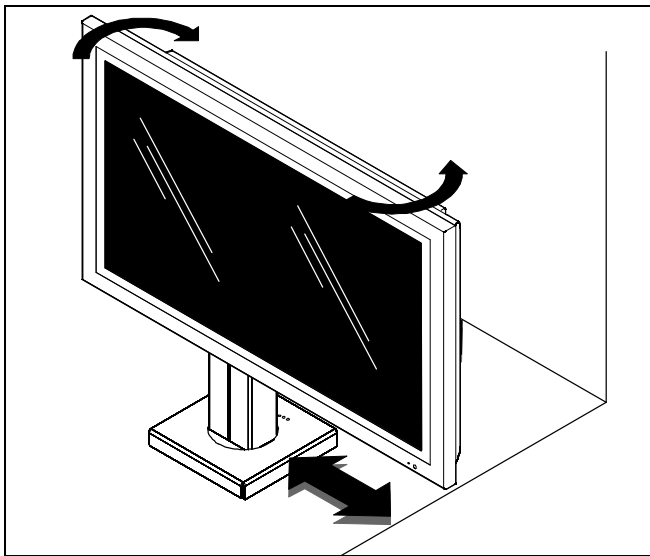


Figure 1

NOTE: The MTS is shipped with the display rotation set at the maximum of 270° . Display rotation can be adjusted to 0, 10, 20, 30, or 40° and locked if installation location requires it.

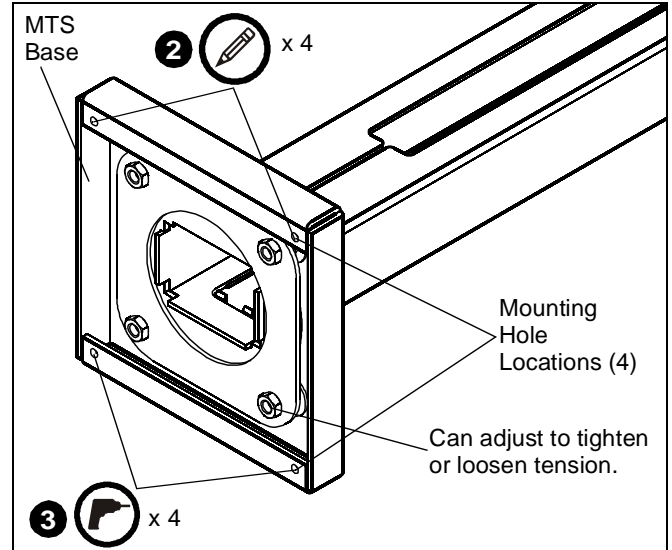


Figure 2

Installation

1. Locate a flat surface (thickness of 1/2" to 1-5/8") on which to mount the MTS assembly.
2. Mark four mounting hole locations on underside of mounting surface.
3. Drill four 1/4" dia. (6.35mm) holes through underside of mounting surface at marks.
4. Secure MTS post (B) to mounting surface using four 10-24 button head cap screws [(S) - for mounting surfaces up to 3/4" thickness; or (T) - for mounting surfaces from 3/4" to 1-5/8" thickness]. (See Figure 3)

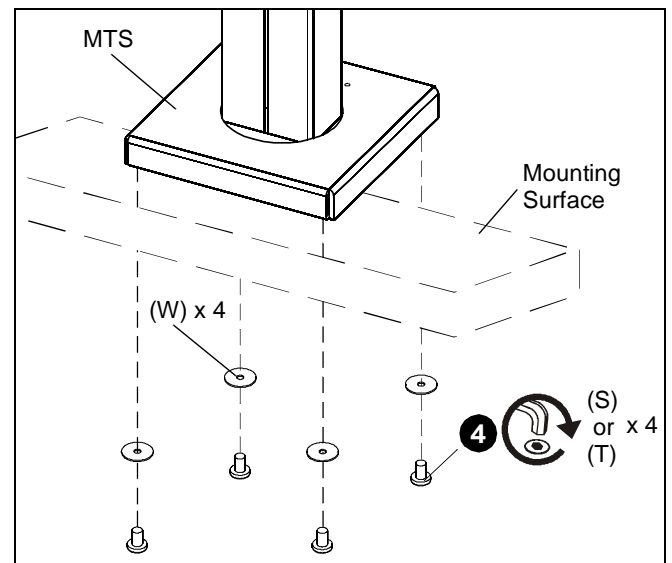


Figure 3

- Attach faceplate (A) to post (B) using four 10-24x1/2" Phillips screws (V), four shoulder washers (Y), and four nylon washers (X). (See Figure 4)

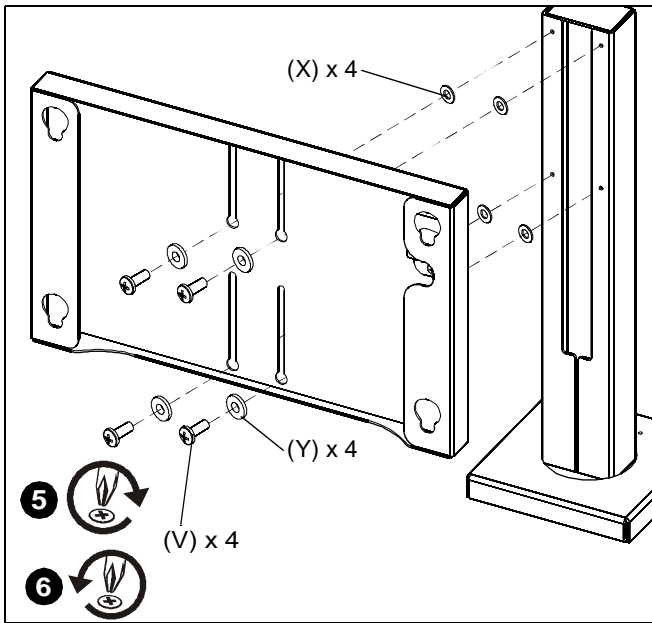


Figure 4

- Loosen four Phillips screws and slide faceplate to maximum height on post.

Attaching Interface Bracket to Display

- Lay display facedown on a clean and dry flat surface.
- Attach interface bracket (D) to display using appropriate screws (E through N). (See Figure 5)

NOTE: If the display has a recessed mounting surface, spacers (O or P) may be required between the display and interface bracket (D).

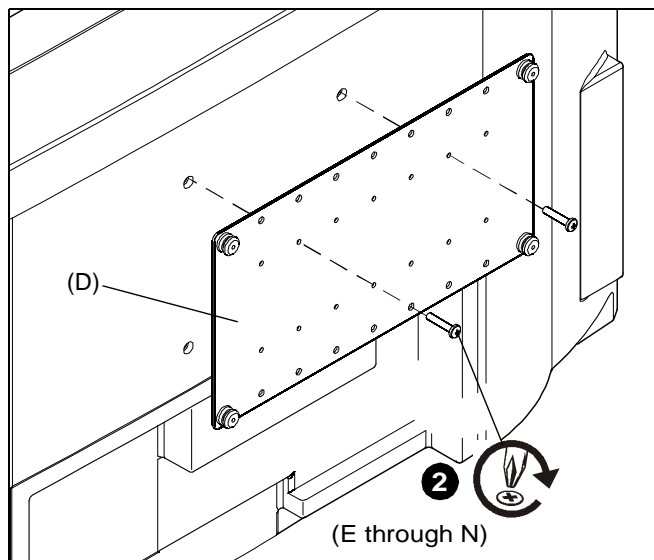


Figure 5

Attaching Display to MTS

- Make sure the latching flag is in the unlatched position. (See Figure 6)
- Align mounting buttons with teardrop holes in the faceplate (A).

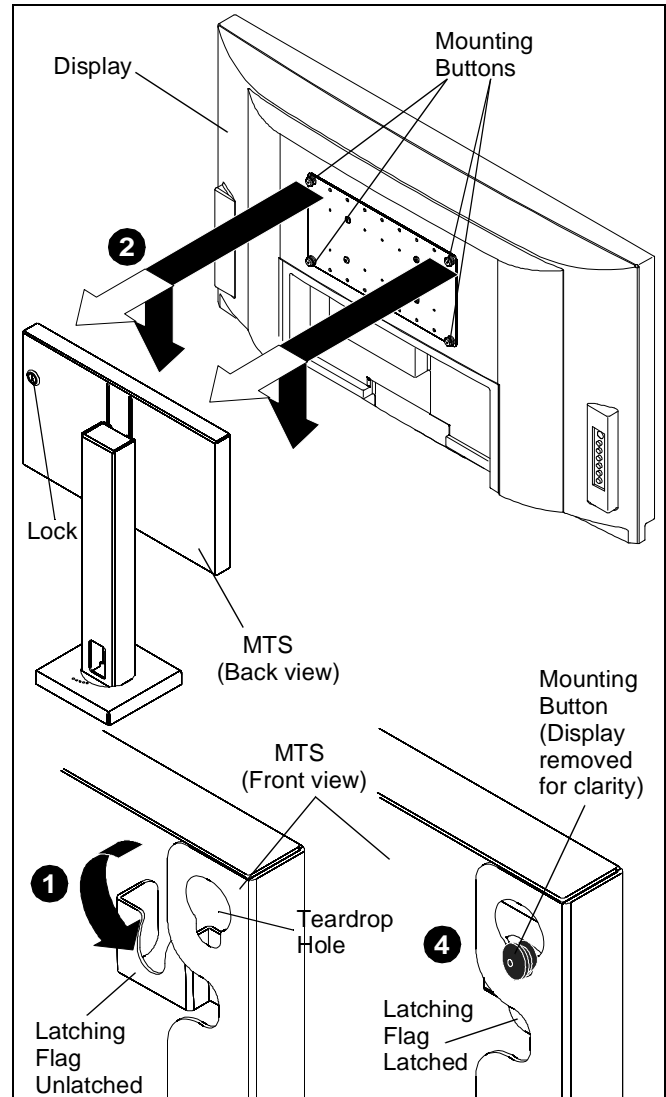


Figure 6

- Ensure that mounting buttons are firmly located in the bottom of the teardrop holes.
- Secure display by placing key (Z) in lock on back of MTS, turning to place the latching flag in latched and locked position. (See Figure 6)

Setting Rotation Limits

1. Rotation is factory-set at 270° but can be changed to 0, 10, 20, 30 or 40° to avoid damage to furniture or walls from display hitting them when rotated. (See Figure 7)
2. Determine amount of rotation allowed in installation and insert one 10-24x1/4" button head security screw (U) into the appropriate hole. Tighten to secure rotation amount. (See Figure 7)

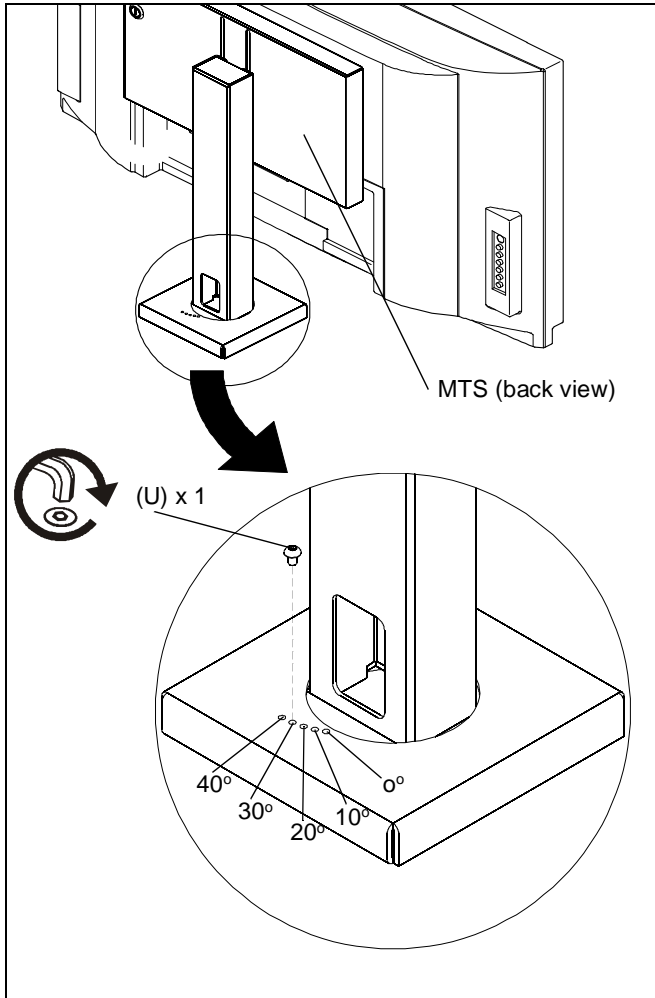


Figure 7

Cable Management



WARNING: ELECTRICAL SHOCK HAZARD! Improper routing can lead to wires or cables being damaged. Make certain display power cable is not routed through areas where it can be pinched or cut.

1. Route display cables and wiring either through front inside of post and down through mounting surface, or through cable management hole at base back. (See Figure 8)

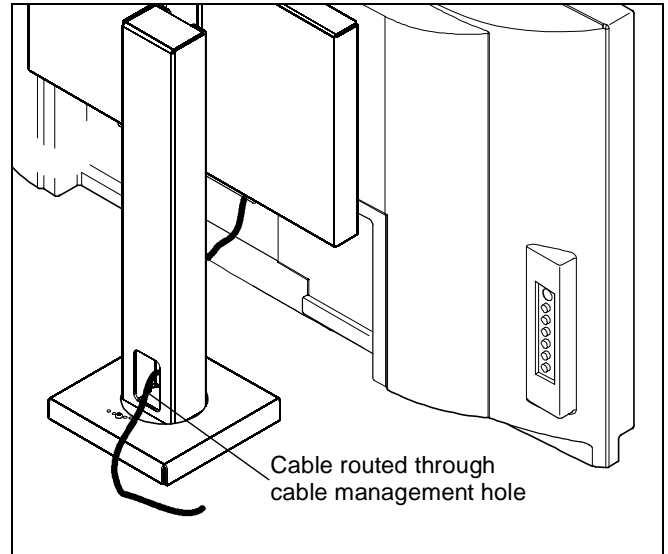


Figure 8

2. If wires will be routed through post and down through mounting surface, place cable management cover (C) over cable management hole. (See Figure 9)
3. Connect wires and cables to display.

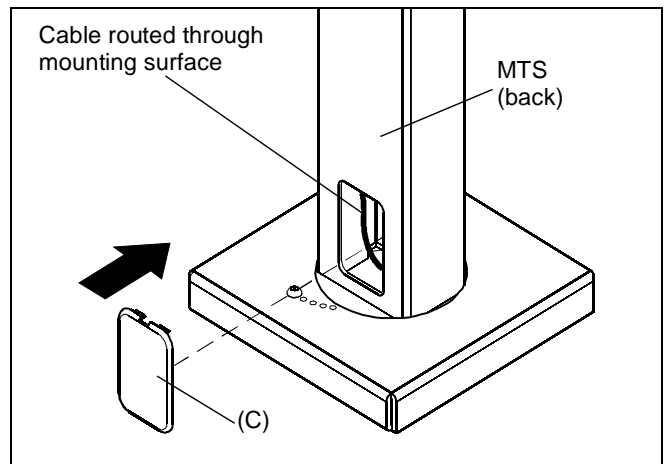


Figure 9



Our Mounts. **Your Vision.**

Chief Manufacturing, a products division
of Milestone AV Technologies

8800-000065 RevC

©2010 Milestone AV Technologies, a
Duchossois Group Company

www.chiefmfg.com

11/10

USA/International	A 8401 Eagle Creek Parkway, Savage, MN 55378
	P 800.582.6480 / 952.894.6280
	F 877.894.6918 / 952.894.6918
Europe	A Fellenoord 130 5611 ZB EINDHOVEN, The Netherlands
	P +31 (0)40 2668620
	F +31 (0)40 2668615
Asia Pacific	A Office No. 1 on 12/F, Shatin Galleria 18-24 Shan Mei Street Fotan, Shatin, Hong Kong
	P 852 2145 4099
	F 852 2145 4477

