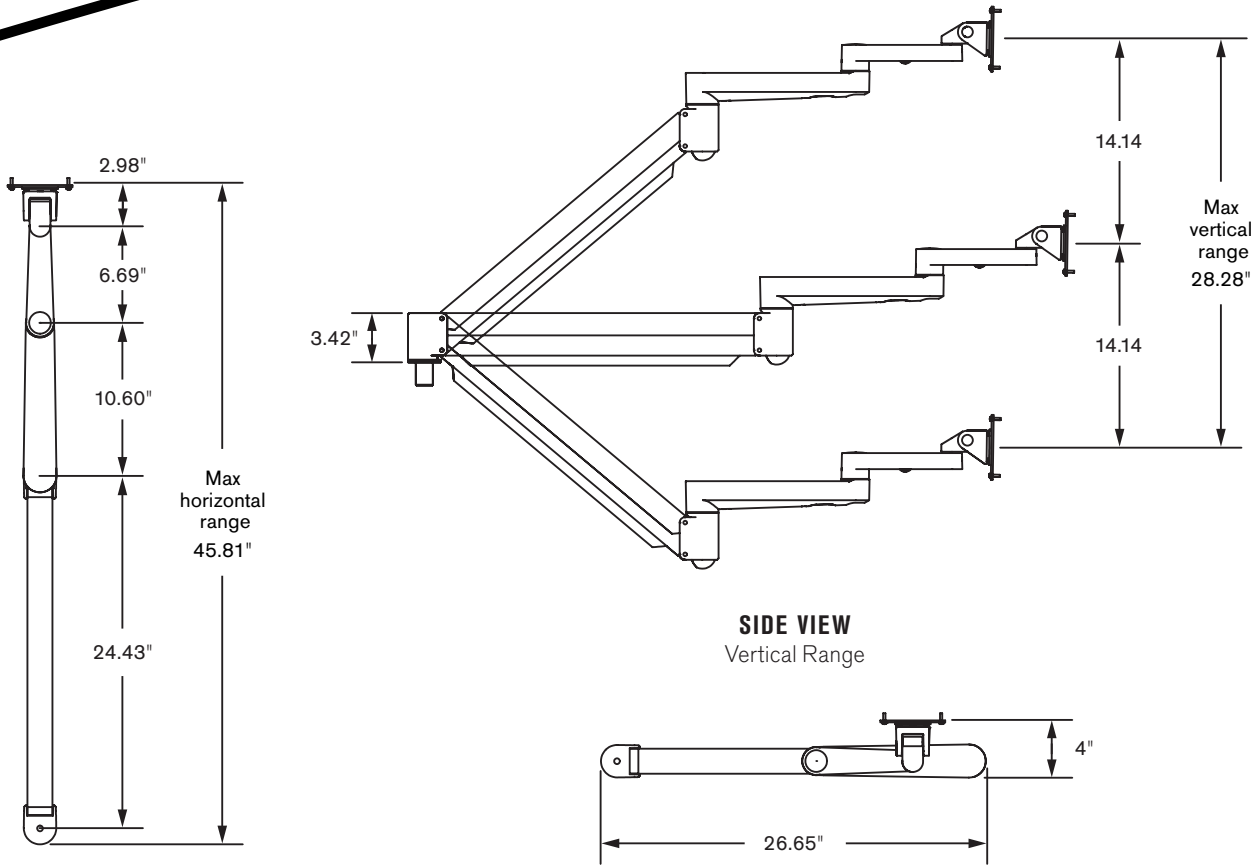


Model 9199

Specifications

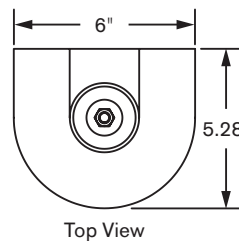
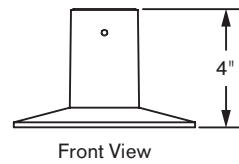


TOP VIEW
Horizontal Range

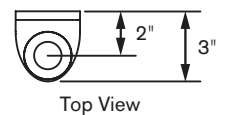
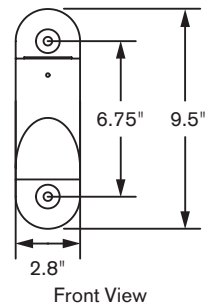
SIDE VIEW
Vertical Range

TOP VIEW
Arm Folded

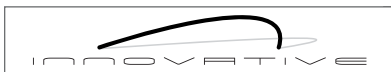
- Vertical range:**.....28.28" (+/-14.14" from horizontal)
- Horizontal range:**.....45.81" of horizontal range
- Rotation:**.....360 degrees at four joints
- Monitor tilt:**.....200 degrees
- Monitor pivot:**.....Landscape to portrait
- Monitor compatibility:**.....VESA® 75mm and 100mm
- Cable management:**.....Cables are concealed in arm
- Mounting options:**.....FLEXmount™ (six mounting options in one kit)
Wall Mount
- Monitor weight/model number:**.....4 - 15 lbs / 9199-1000
5 - 18 lbs / 9199-1500



FLEXMOUNT™
Model 8318



WALL MOUNT
Model 8325



Phone: 800.524.2744 | Fax: 610.253.9521 | E-mail: sales@LCDarms.com | Web: www.LCDarms.com

This product is protected by one or more of the following U.S. Patent Nos., and other United States and foreign patents applied for: 6,076,785, 6,273,383, 6,409,134, 6,478,274, 6,499,704, 6,505,988, 6,609,691, 6,19,606, 6,719,253, 6,726,167, 6,736,364, 6,783,105, 6,854,698, 6,915,994, 6,935,883, 6,955,328, 6,983,917, 6,986,489, 7,014,157, 7,017,874, 7,048,242, 7,059,574, 7,063,296, 7,066,433, 7,066,435, D435,852, D491,952, D492,893.