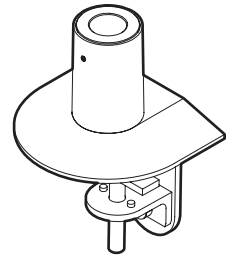


FLEXMOUNT™ 8318

Installation Instructions



Desk Clamp

- 1
- 2
- 3

Thru-Desk

8318-cup

8318-thru

Wall Mount

- 1
- 2

* Hardware not included.

Reverse Wall Mount

8318-wall

- 1
- 2

* Hardware not included.

Grommet Hole

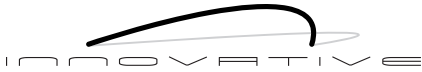
- 1
- 2
- 3

> 2.5"

Side Bolt

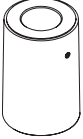
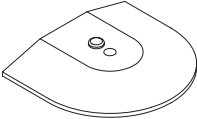
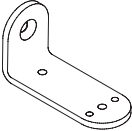
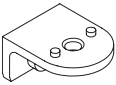
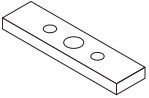
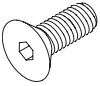
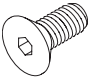
- 1
- 2

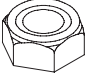
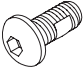
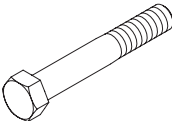
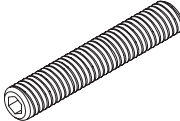
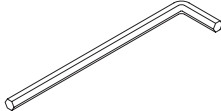

* Hardware not included.



FLEXMOUNT™ 8318

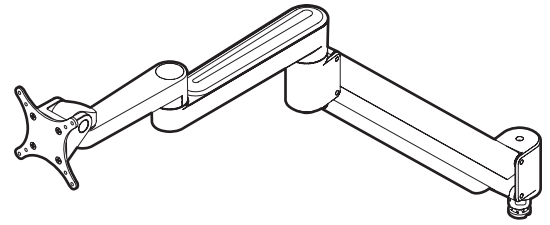
Parts List

ITEM	DESCRIPTION / PART NO.	QUANTITY
A 	Mount Column 407602	1
B 	Base Plate 8321	1
C 	Large "L" Bracket 702828	1
D 	Small "L" Bracket 701116	1
E 	Rectangular Spacer 701544	1
F 	3/8-16 x 1-1/4" Flat Socket Cap Screw 701855	1
G 	3/8-16 x 7/8" Flat Socket Cap Screw 701799	1

ITEM	DESCRIPTION / PART NO.	QUANTITY
H 	3/8-16 Nylon Stop Nut 701418	1
I 	3/8-16 x 7/8" Button Socket Cap Screw 701122	1
J 	3/8-16 x 2-1/2" Hex Head Bolt 700268	1
K 	1/2-13 x 3" Socket Set Screw 701126	1
L 	7/32" Allen Wrench 701127	1
M 	3/32" Allen Wrench 700146	1

MODEL 9199

Installation Instructions



1a 9199-FM

1b 9199-WM

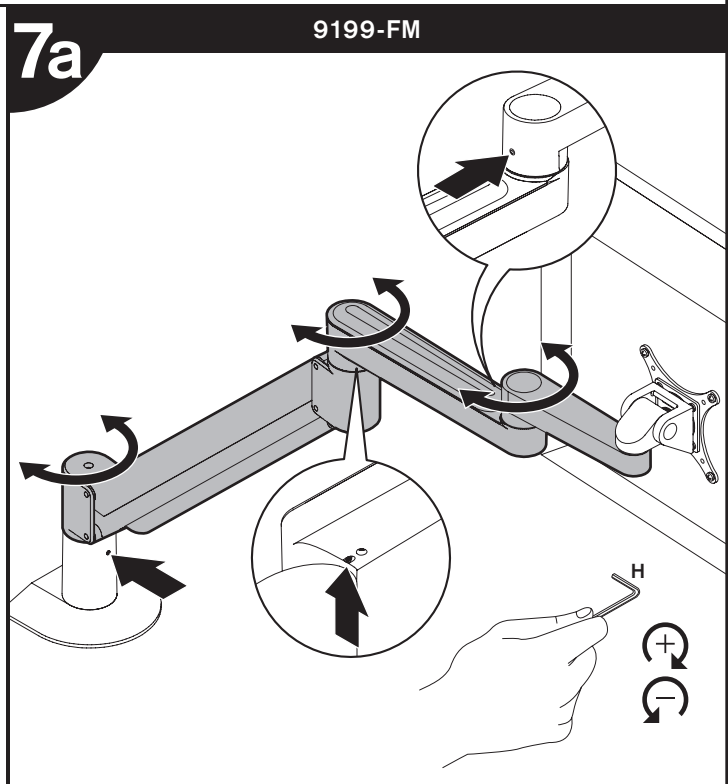
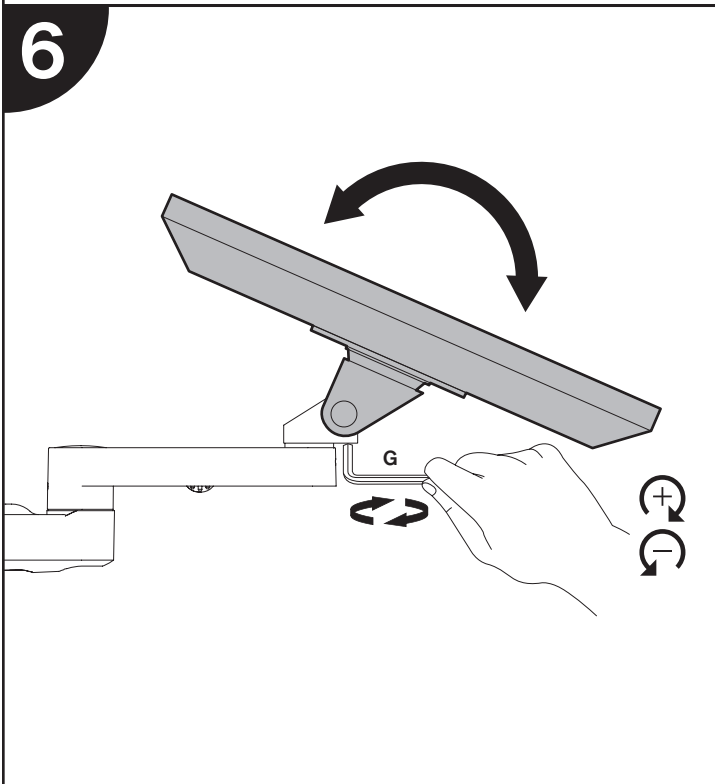
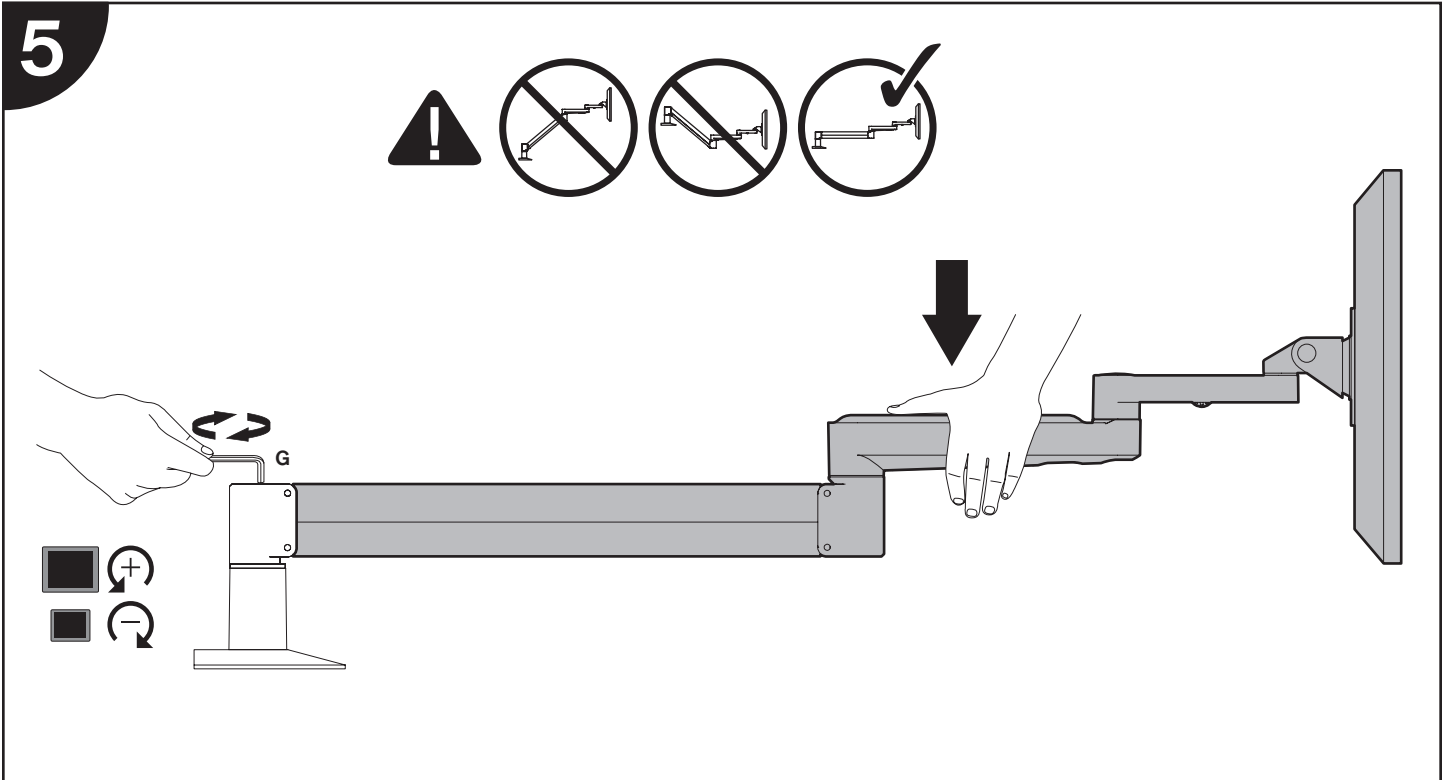
* Hardware not included.

2

3

* Some monitors may require a spacer hardware kit. See page 4 for details.

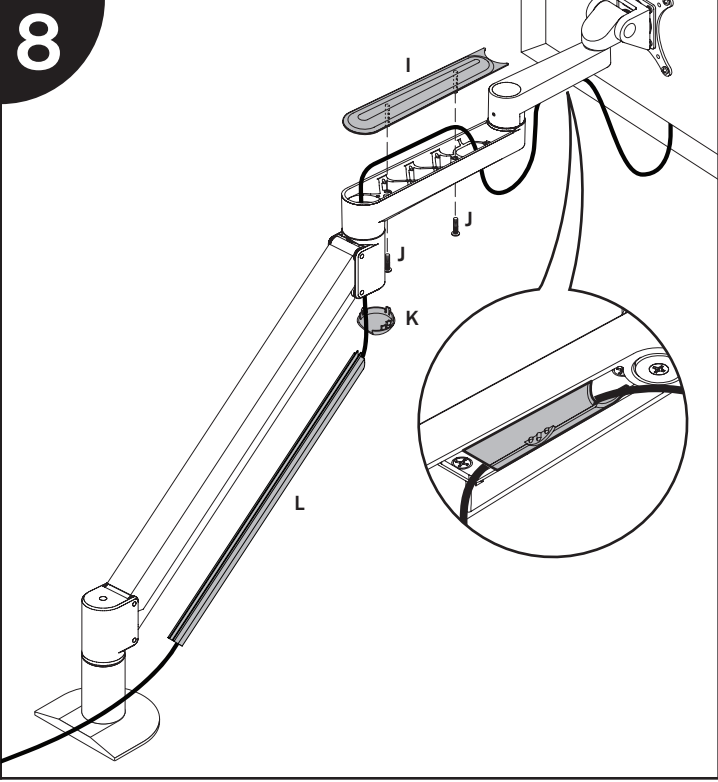
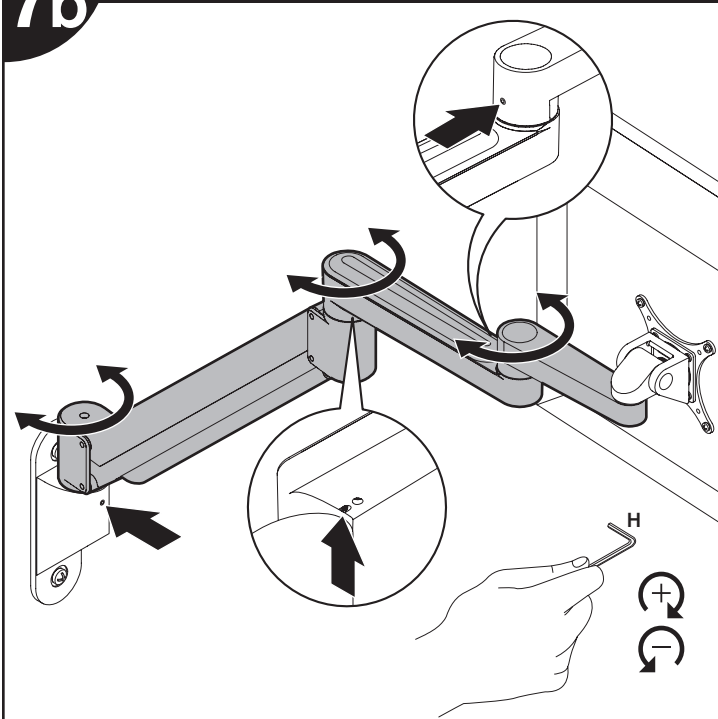
4

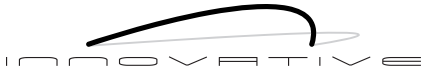


7b

9199-WM

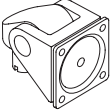


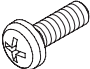
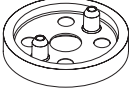

8

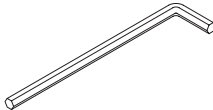

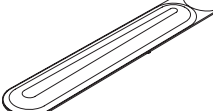
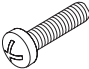
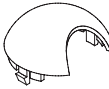





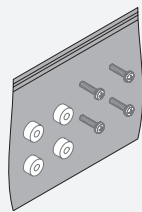
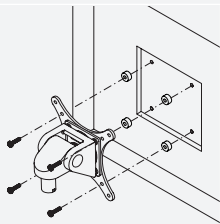
MODEL 9199

Parts List

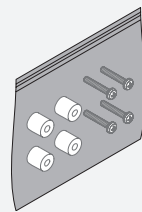
ITEM	DESCRIPTION / PART NO.	QUANTITY
A	 Monitor Tilter 405397	1
B	 75/100mm VESA® Adapter Plate 1 105587	1
C	 10-32 x 3/8" Phillips Flat Head Screw 1 702281 (4-pack)	1
D	 M4 x 12mm Phillips Pan Head Screw 1 702096 (4-pack)	1
E	 Dog Washer 105189	1
F	 10-32 x 3/8" FPHMS w/Lock Patch 1 705198	1

ITEM	DESCRIPTION / PART NO.	QUANTITY
G	 7/32" Allen Wrench 701127	1
H	 3/32" Allen Wrench 700146	1
I	 Domed Straight Arm Cap 110042	1
J	 6-32 x 1" Phillips Pan Head 705764	2
K	 Endcap Bumper 702829	1
L	 Cable Cap 102043-19.75	1

OPTIONAL SPACER KITS In some cases, the mounting surface on your monitor may be recessed further than permitted by VESA® standards. As a result, a spacer kit may be required.



.25" Spacer Hardware Kit
 (4) .25" Spacers
 (4) M4 x 18mm Phillips Pan Head Screws
 Order # P404923-B



.5" Spacer Hardware Kit
 (4) .5" Spacers
 (4) M4 x 25mm Phillips Pan Head Screws
 Order # P404923-C