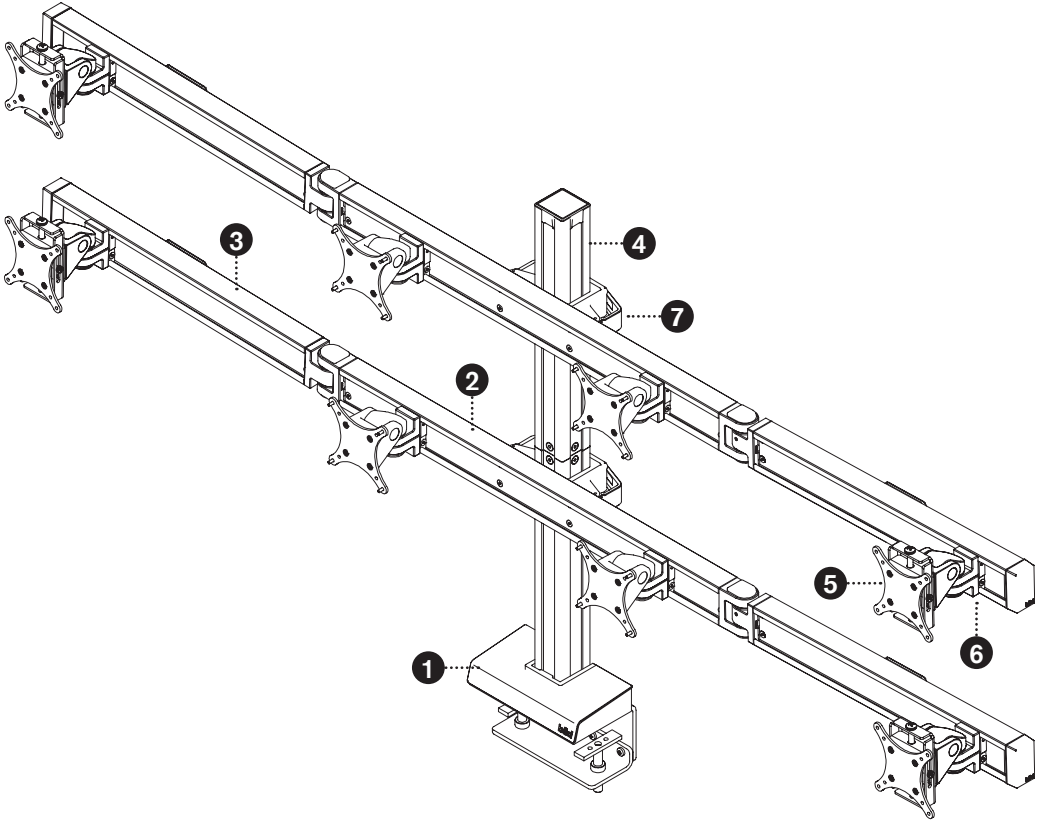
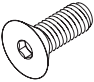

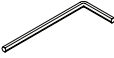


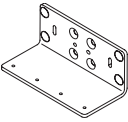

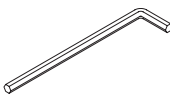
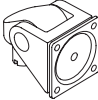


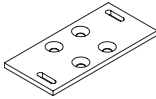
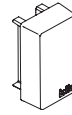
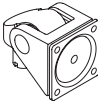

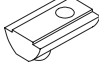
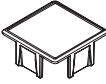
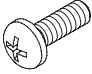
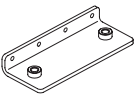

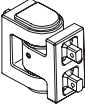

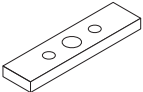

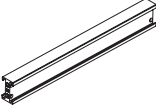
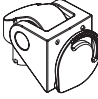

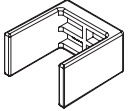
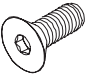
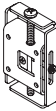
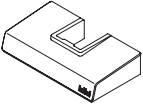
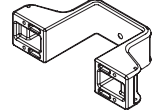
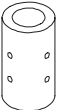
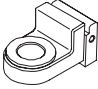
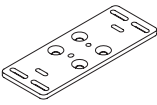
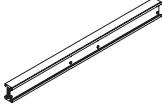
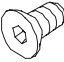
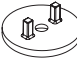
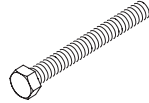
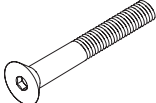
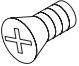

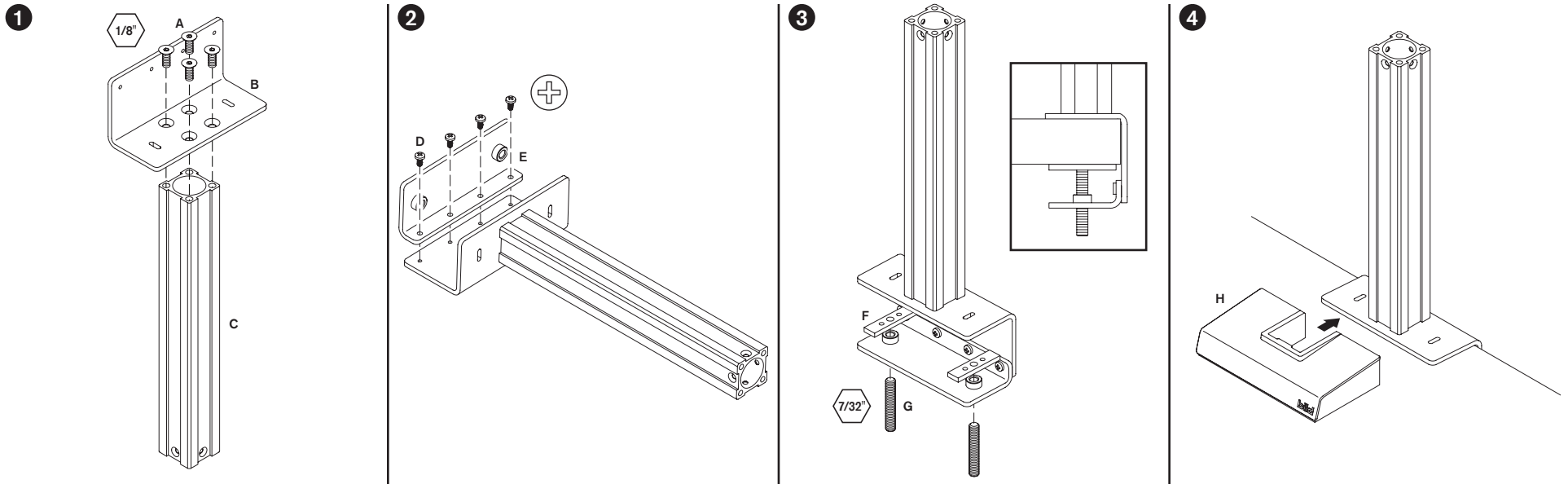


- STEP 1 | MOUNTS**.....Page 3
- STEP 2 | CENTER BEAM**.....Page 4
- STEP 3 | EXTENSION BEAMS** *(optional)*.....Page 6
- STEP 4 | DUAL TIER COLUMN** *(optional)*.....Page 7
- STEP 5 | MONITOR TILTER**.....Page 8
- STEP 6 | MONITOR CUPS**.....Page 9
- STEP 7 | CABLE MANAGEMENT**.....Page 10

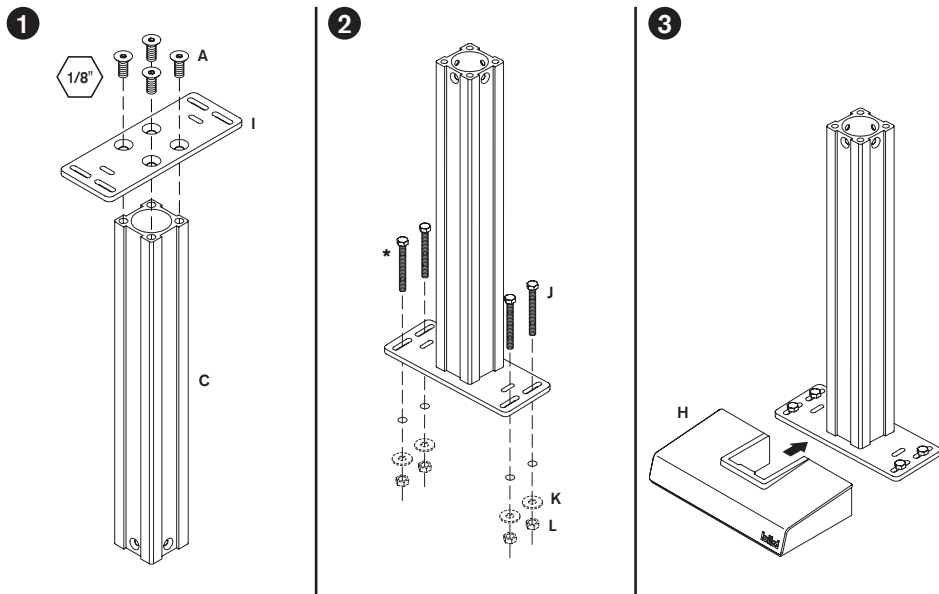


A		3/8-16 X 1" FHSCS	K		Thru Mount Washer	U		1/8" Allen Wrench	EE		75/100 mm VESA Adapter	OO		Column Cable Clip
B		Large "L"	L		Thru Mount Nut	V		7/32" Allen Wrench	FF		Standard Monitor Tilter	PP		Extension Beam Cable Clip
C		Static Column	M		Rail Mount Base Plate	W		End Cap	GG		HD Monitor Tilter			
D		1/4-20 x 1/2" PhPHS	N		Rail Mount Drop-In Nut	X		Column Cap	HH		M4 x 12mm PhPHS			
E		Small "L"	O		Rail Mount Knob	Y		Hinge	II		QR VESA Adapter			
F		Spacer	P		Rail Mount Washer	Z		Extension Beam (10" or 20")	JJ		QR Monitor Tilter			
G		1/2-13 x 3" Set Screw	Q		Column Clamp Spacer	AA		10-32 x 9/16" FHSCS	KK		Fine Tune Adjust Adapter			
H		Base Plate Cover	R		Column Clamp	BB		Column Link	LL		Monitor Cup			
I		Thru Mount Base Plate	S		Center Beam (30")	CC		1/4-20 x 1/2" FHSCS	MM		Dog Washer			
J		1/4-20 x 2-1/2" Hex Head Bolt	T		FHSCS 10-32 x 1-1/2"	DD		10-32 x 3/8" PhPHS	NN		10-32 x 1/2" FHSCS			

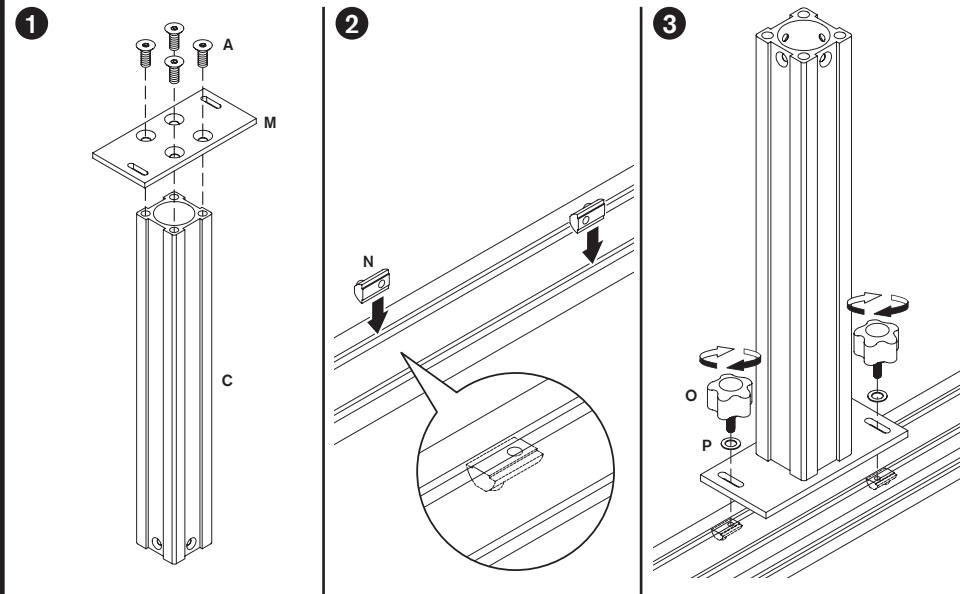
CLAMP MOUNT



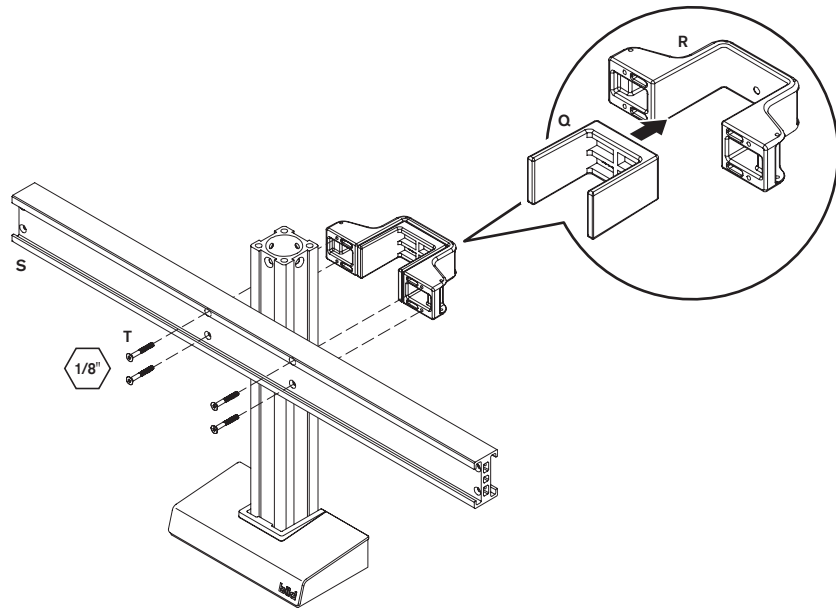
THRU MOUNT



RAIL MOUNT

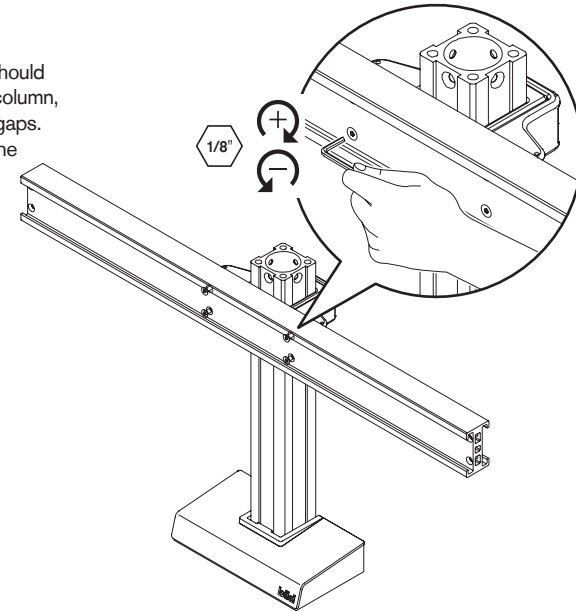


1

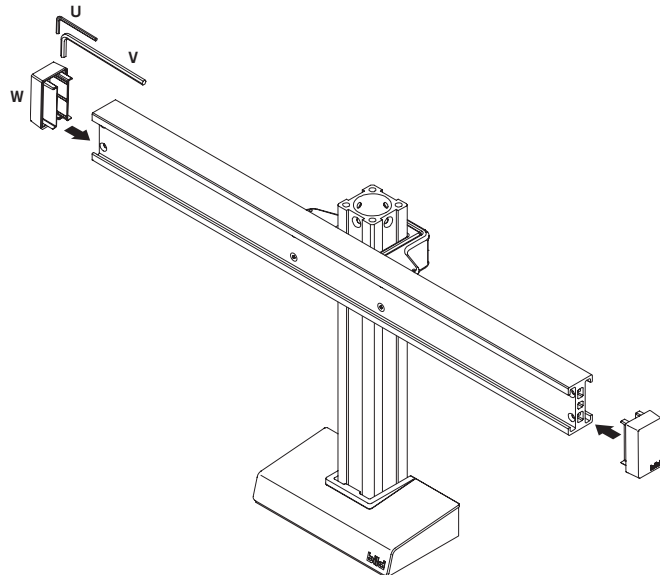


2

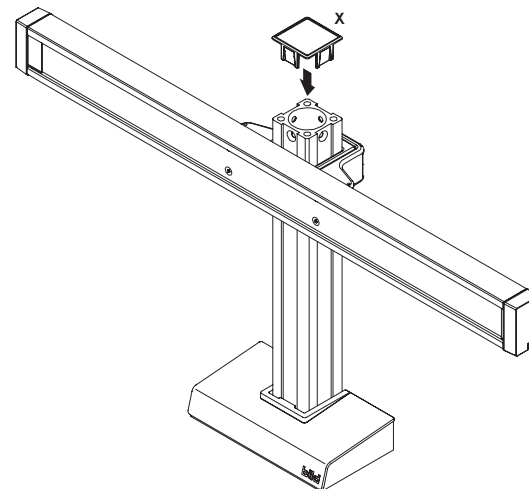
NOTE: The beam should sit flush against the column, ensure there are no gaps. Also, it is important the center beam is level.

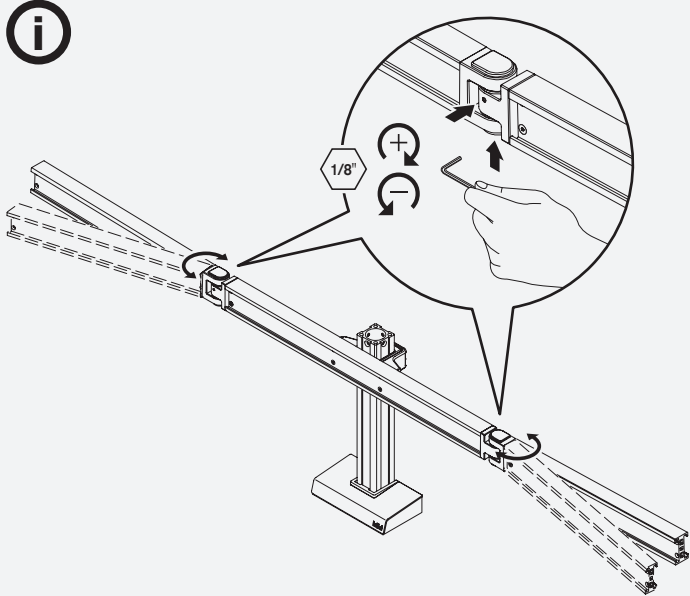
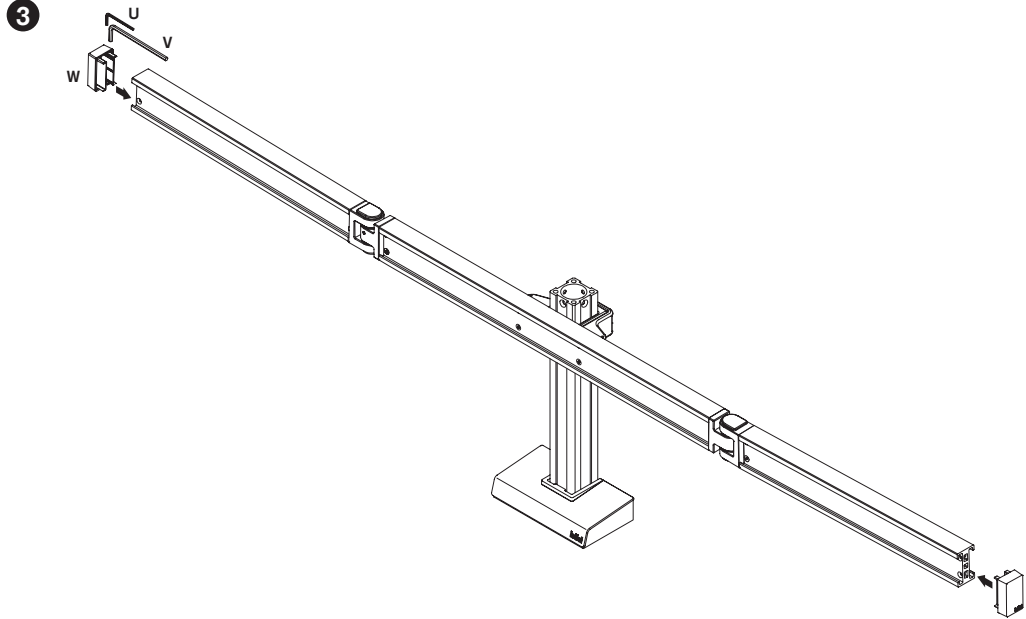
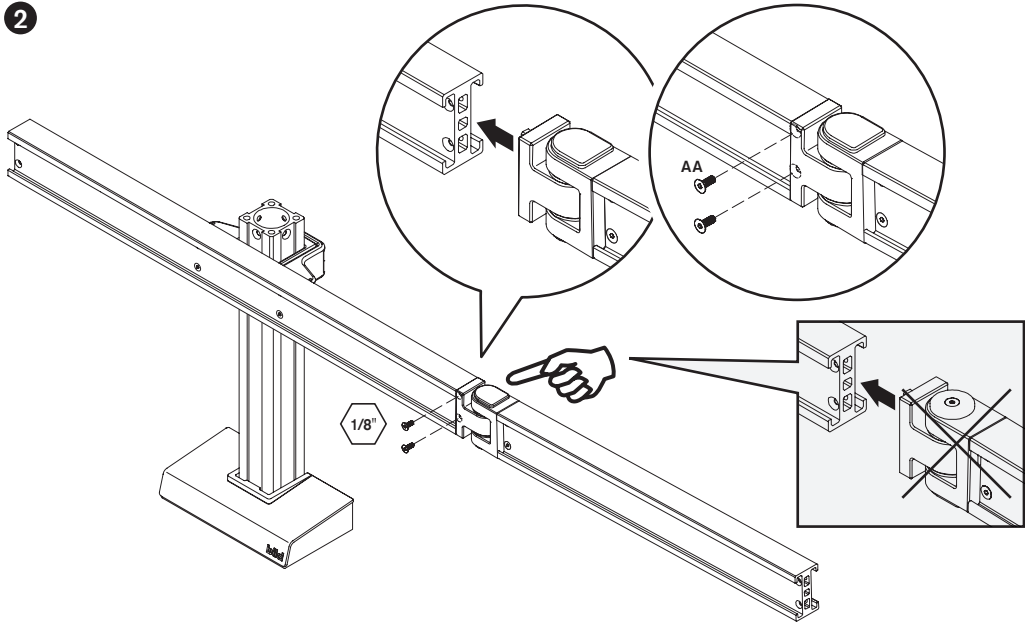
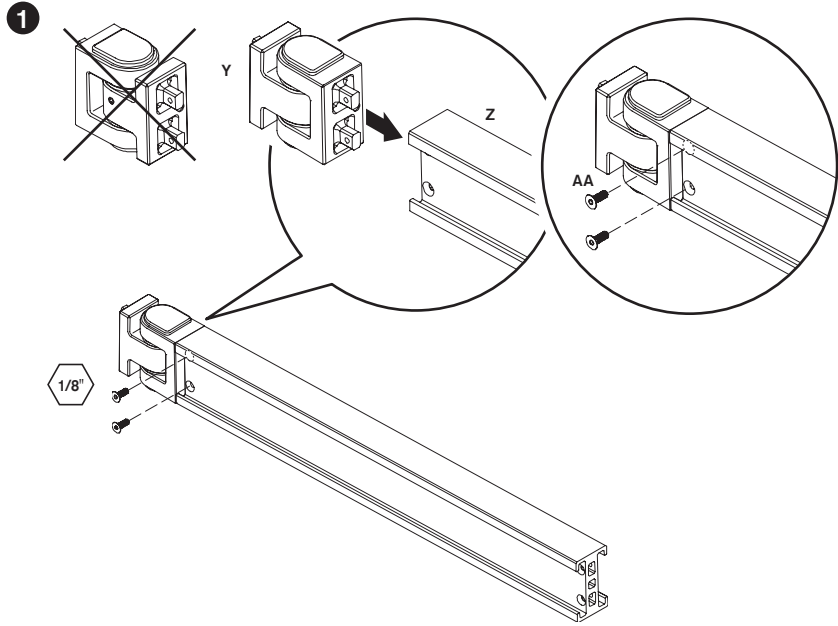


3

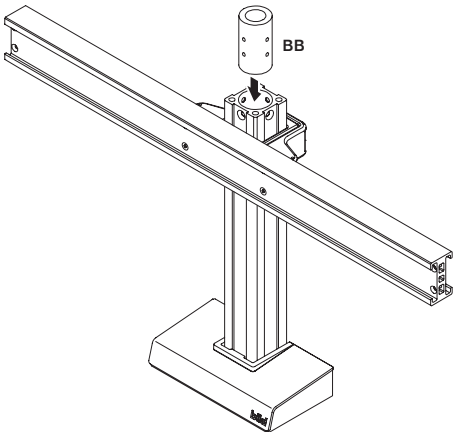


4

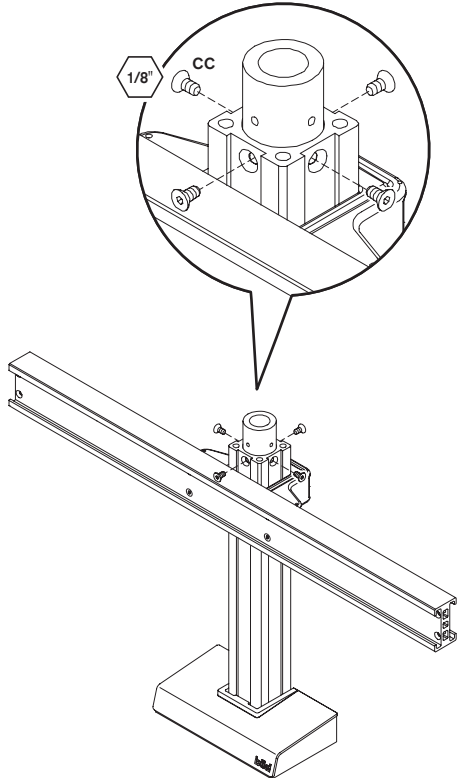




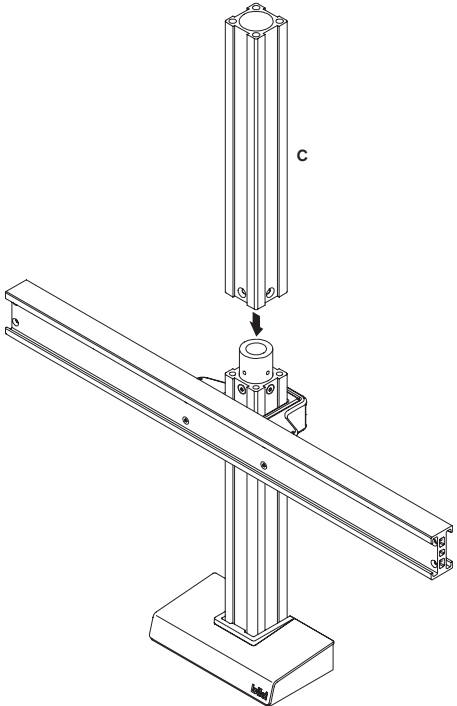
1



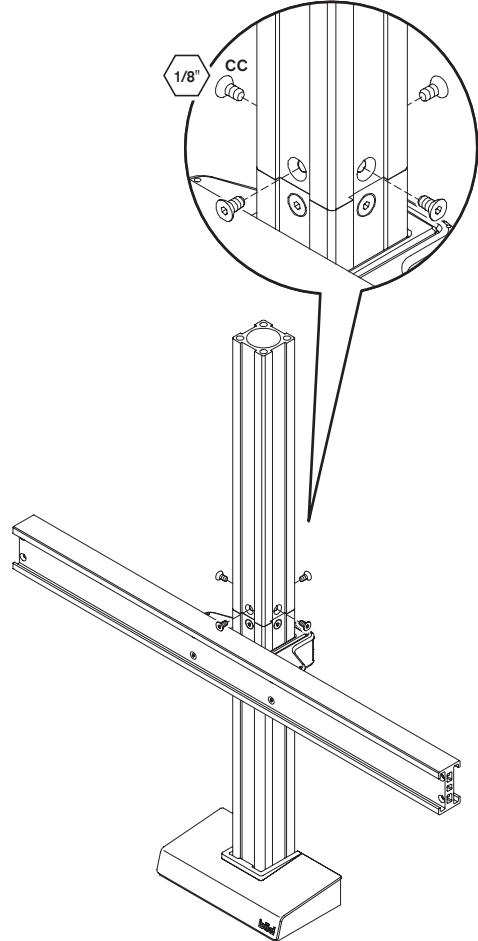
2



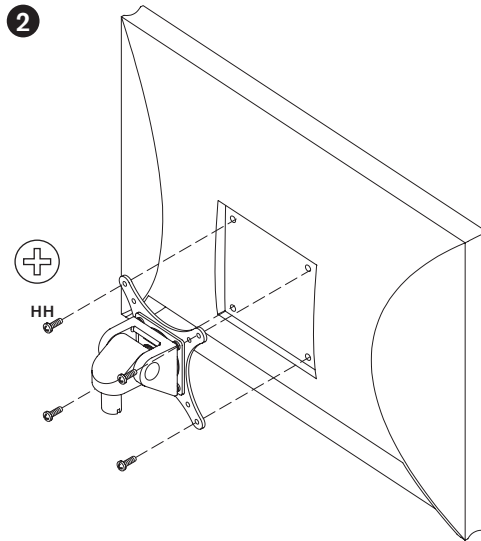
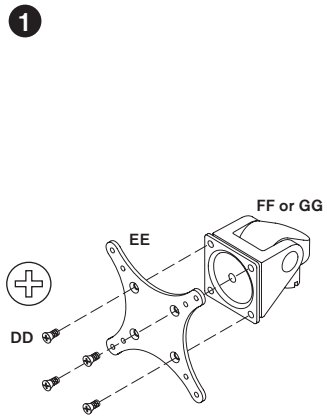
3



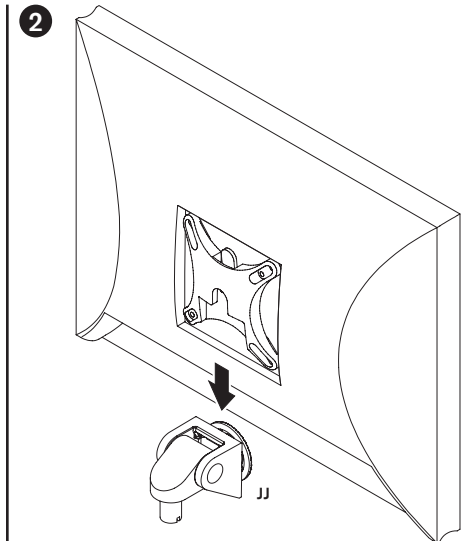
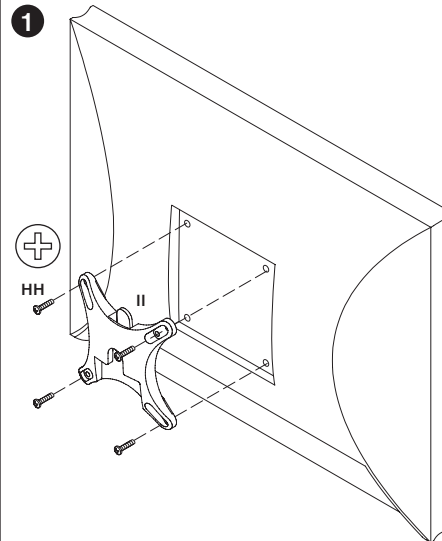
4



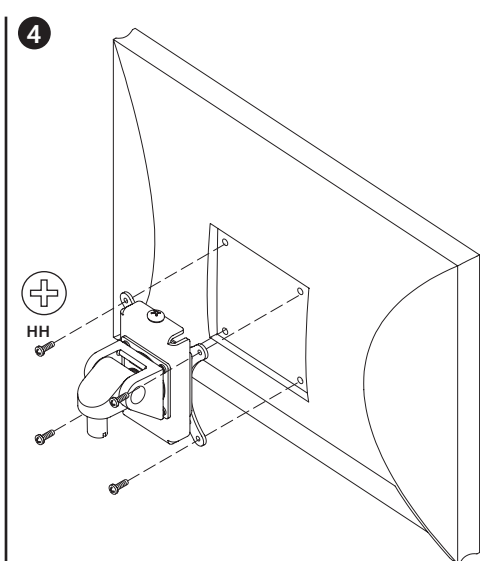
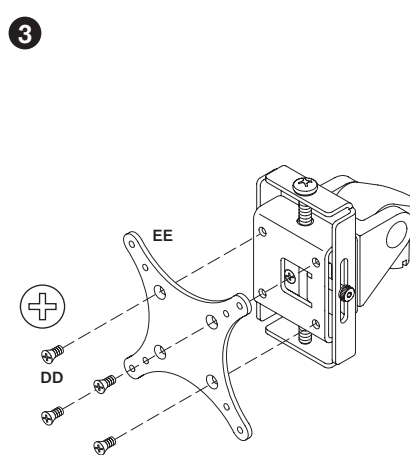
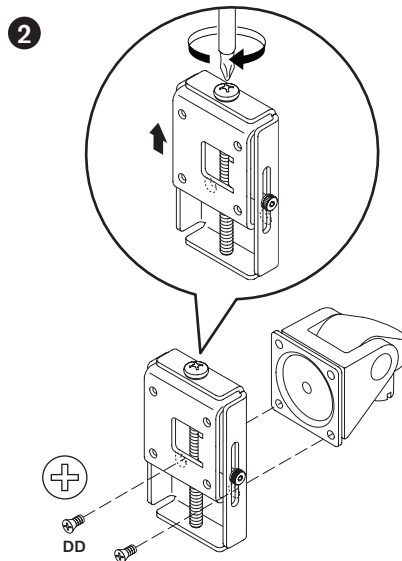
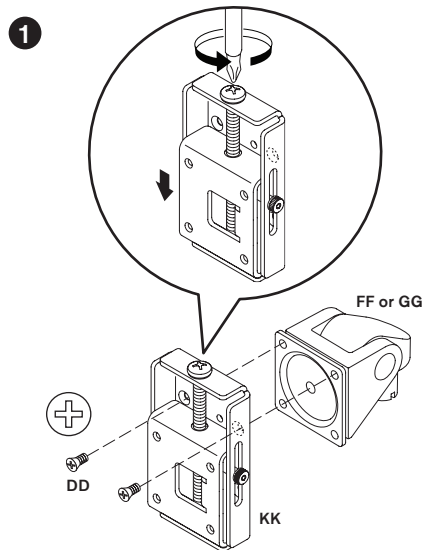
STANDARD TILTER & SPRING TILTER



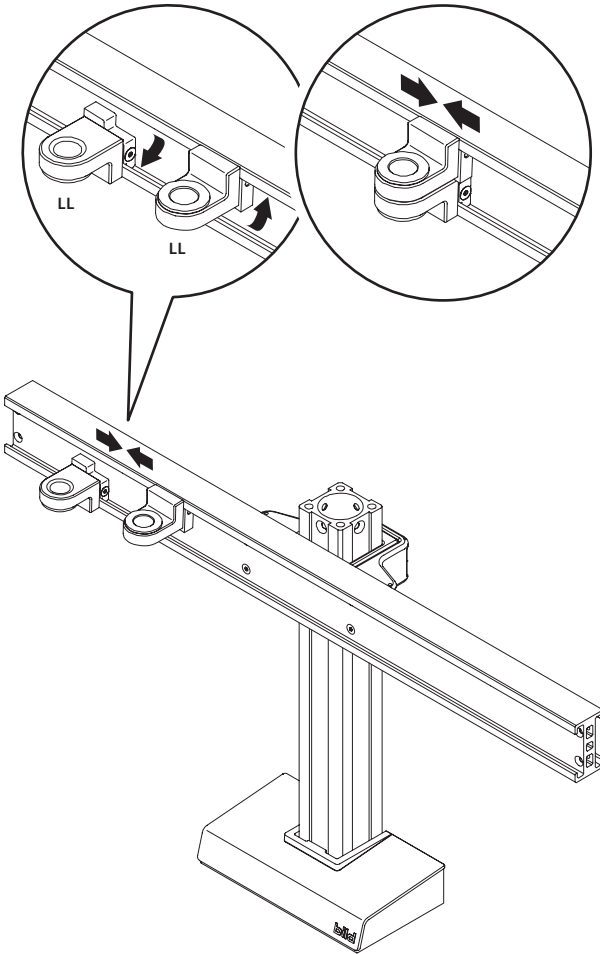
QUICK RELEASE TILTER



FINE TUNE HEIGHT ADJUST TILTER



1



2

