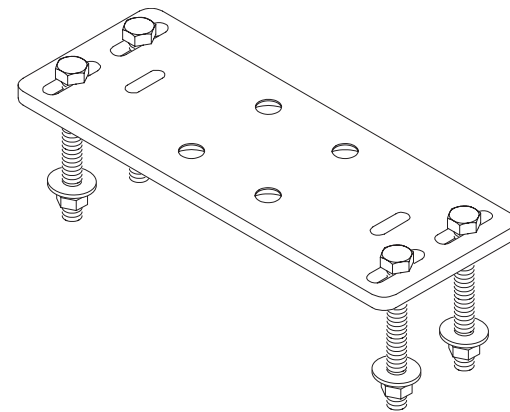


8472



8485

NOTE: Installation may require two people.

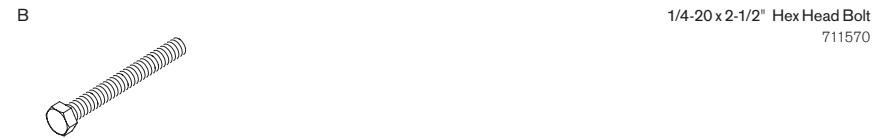
8472

Parts List



8485

Parts List



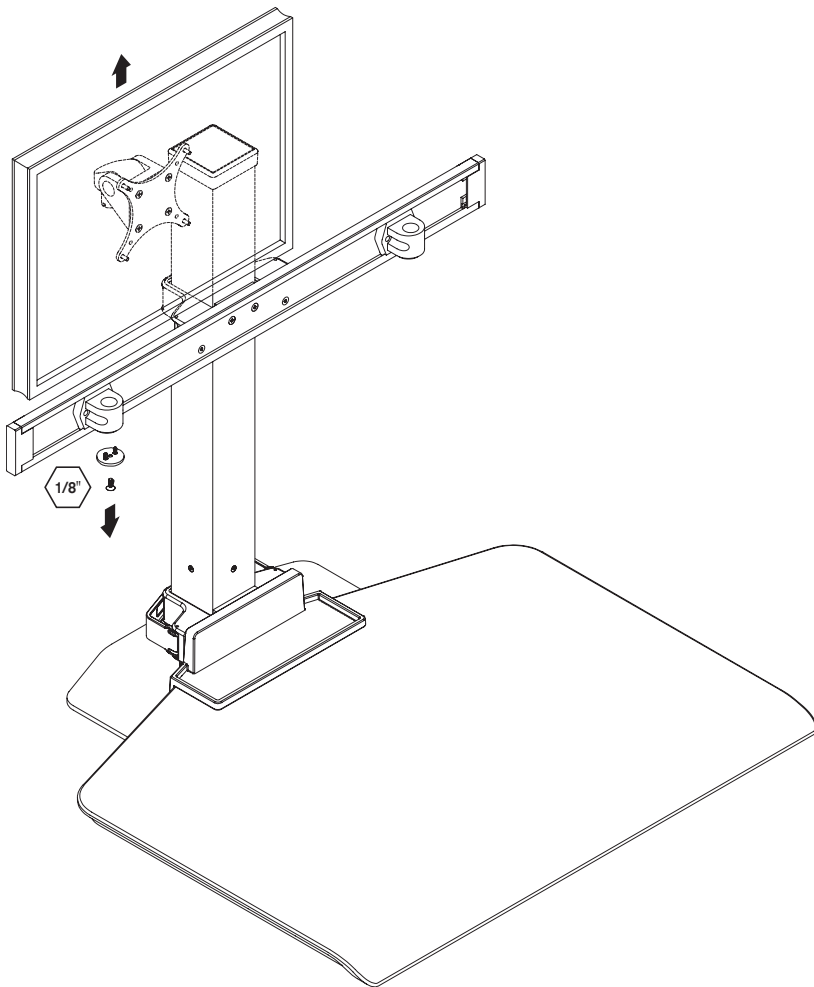
How to remove freestanding mount from Winston Workstation.

1

Lower Winston work surface to its lowest position.

If monitors are installed, **remove all monitors with connected tilter assemblies** as shown. Keep washers and screws. These will be used to reinstall the monitor after mount assembly is complete.

Remove all items from Winston work surface.

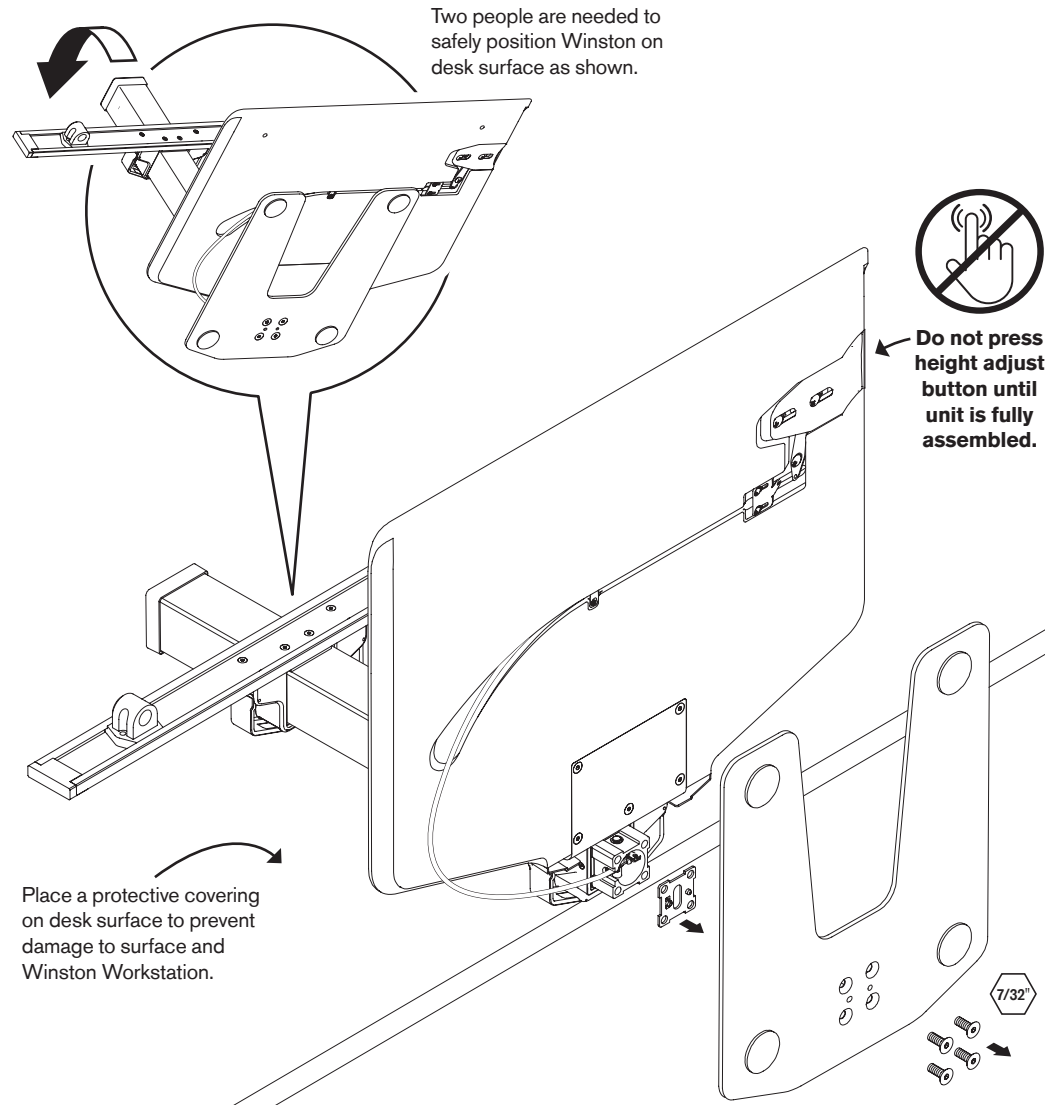


2



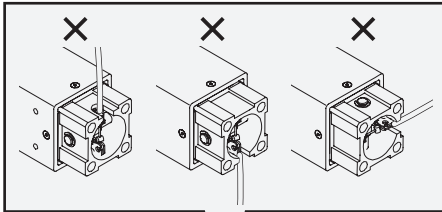
WARNING: Piston under pressure.
Do not press height adjust button
while repositioning or assembling Winston.

Do not pull excessively on cable –
doing so may result in accidental actuation
of column.

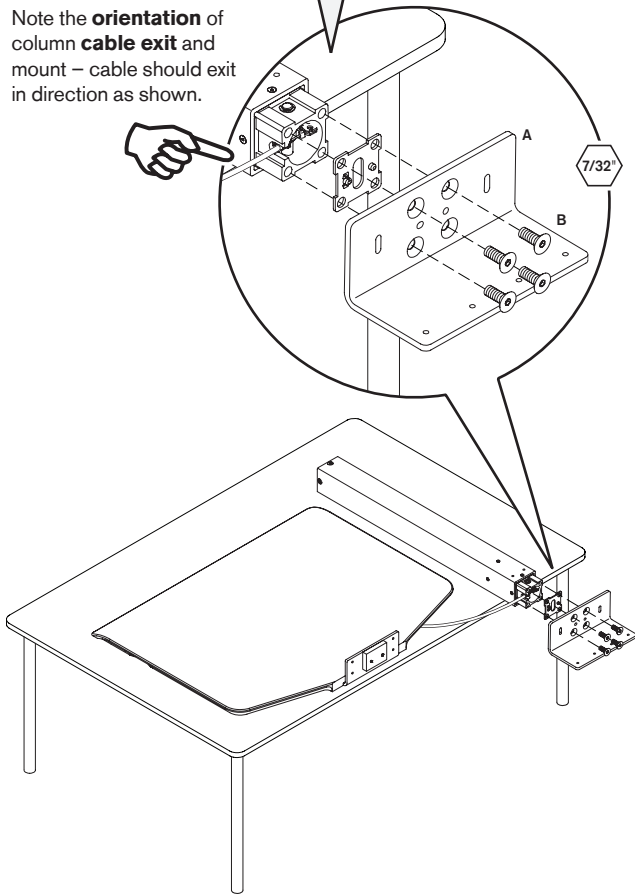


8472 | CLAMP MOUNT

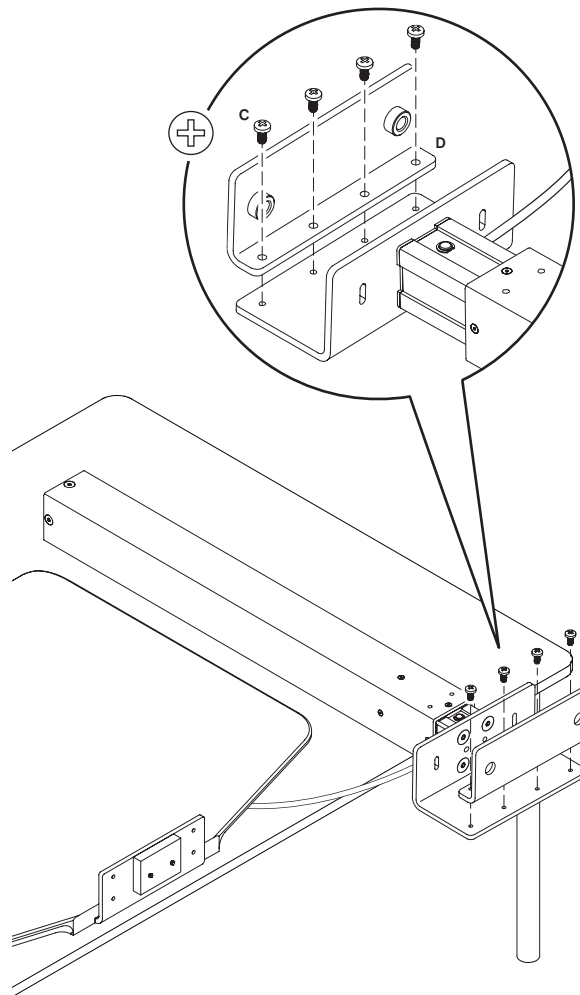
1



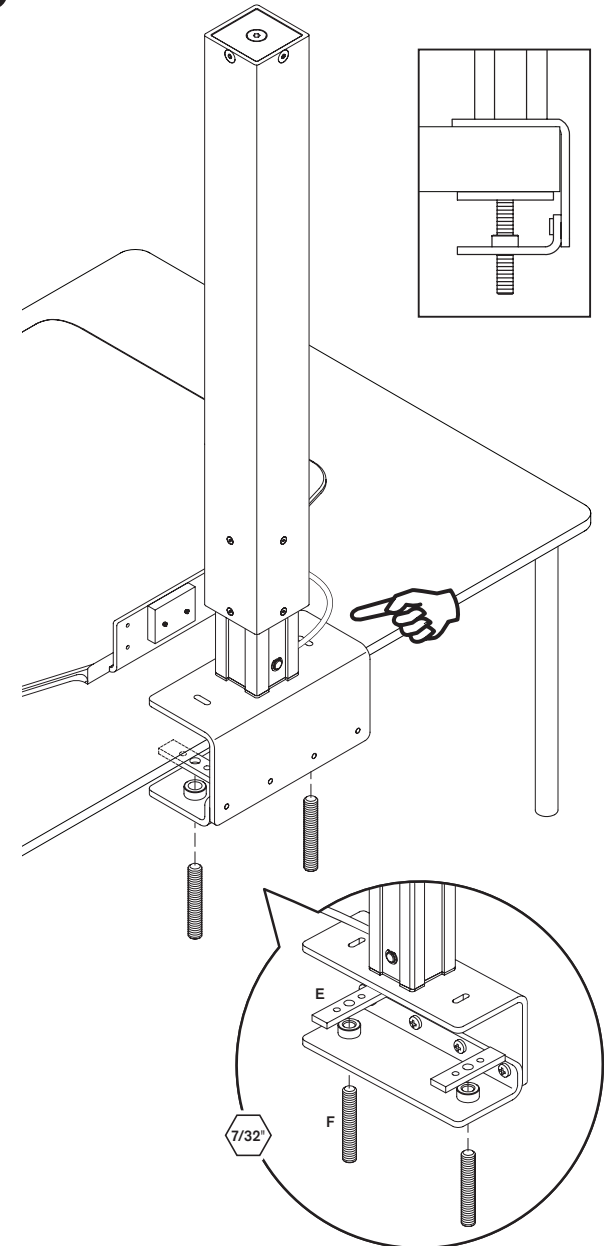
Note the **orientation** of column **cable exit** and mount – cable should exit in direction as shown.



2

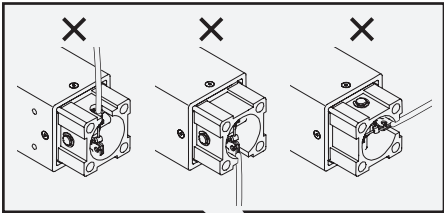


3

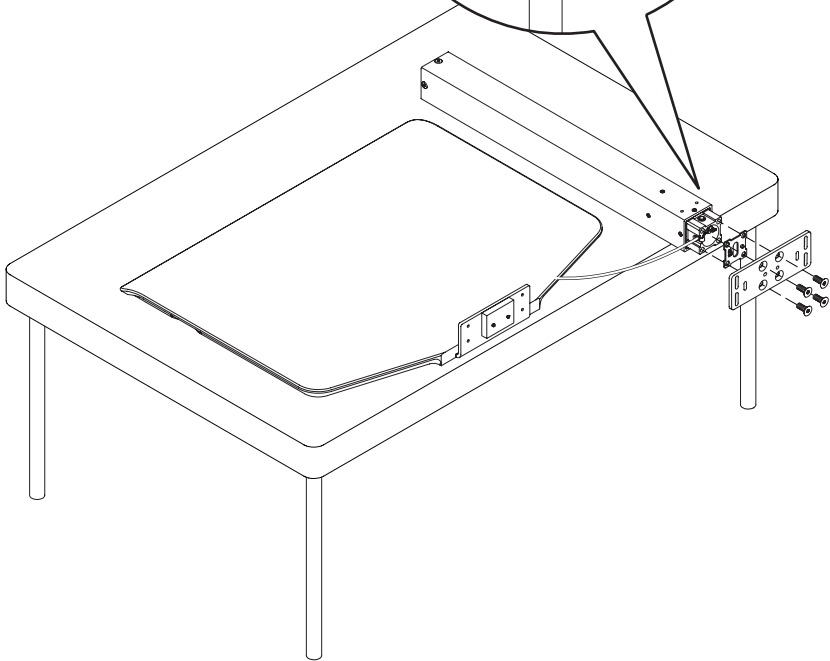
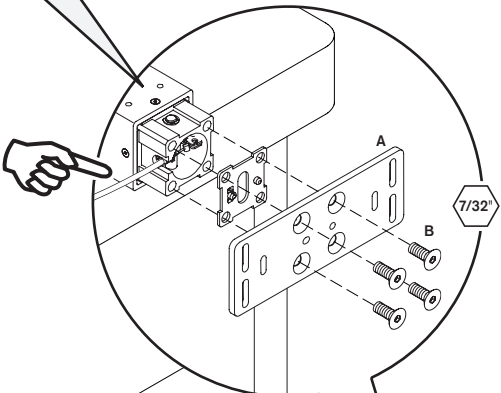


8485 | THRU MOUNT

1



Note the **orientation** of column **cable exit** and mount – cable should exit in direction as shown.



2

