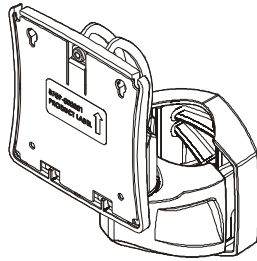
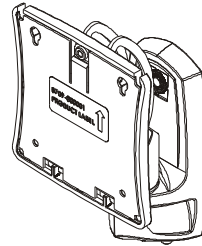
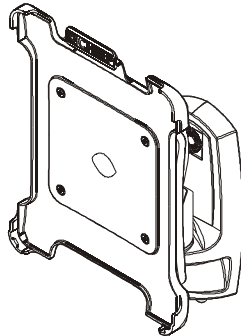

INSTALLATION INSTRUCTIONS



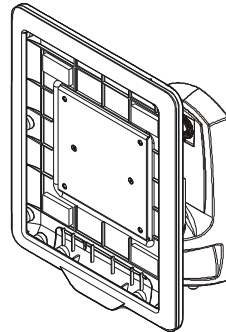
K0P100



K0W100



K0W100BXI2



K0W100BXI2TB


Pitch/Pivot Mount Series


DISCLAIMER


Milestone AV Technologies and its affiliated corporations and subsidiaries (collectively "Milestone"), intend to make this manual accurate and complete. However, Milestone makes no claim that the information contained herein covers all details, conditions or variations, nor does it provide for every possible contingency in connection with the installation or use of this product. The information contained in this document is subject to change without notice or obligation of any kind. Milestone makes no representation of warranty, expressed or implied, regarding the information contained herein. Milestone assumes no responsibility for accuracy, completeness or sufficiency of the information contained in this document.


Chief® is a registered trademark of Milestone AV Technologies. All rights reserved.


IMPORTANT SAFETY INSTRUCTIONS!


 **WARNING:** A WARNING alerts you to the possibility of serious injury or death if you do not follow the instructions.


 **CAUTION:** A CAUTION alerts you to the possibility of damage or destruction of equipment if you do not follow the corresponding instructions.

 **WARNING:** Failure to read, thoroughly understand, and follow all instructions can result in serious personal injury, damage to equipment, or voiding of factory warranty! It is the installer's responsibility to make sure all components are properly assembled and installed using the instructions provided.


 **WARNING:** Failure to provide adequate structural strength for this component can result in serious personal injury or damage to equipment! It is the installer's responsibility to make sure the structure to which this component is attached can support five times the combined weight of all equipment. Reinforce the structure as required before installing the component. The wall to which the mount is being attached may have a maximum drywall thickness of 5/8" (1.6cm).

 **WARNING:** Use this mounting system only for its intended use as described in these instructions. Do not use attachments not recommended by the manufacturer.

 **WARNING:** Never operate this mounting system if it is damaged. Return the mounting system to a service center for examination and repair.

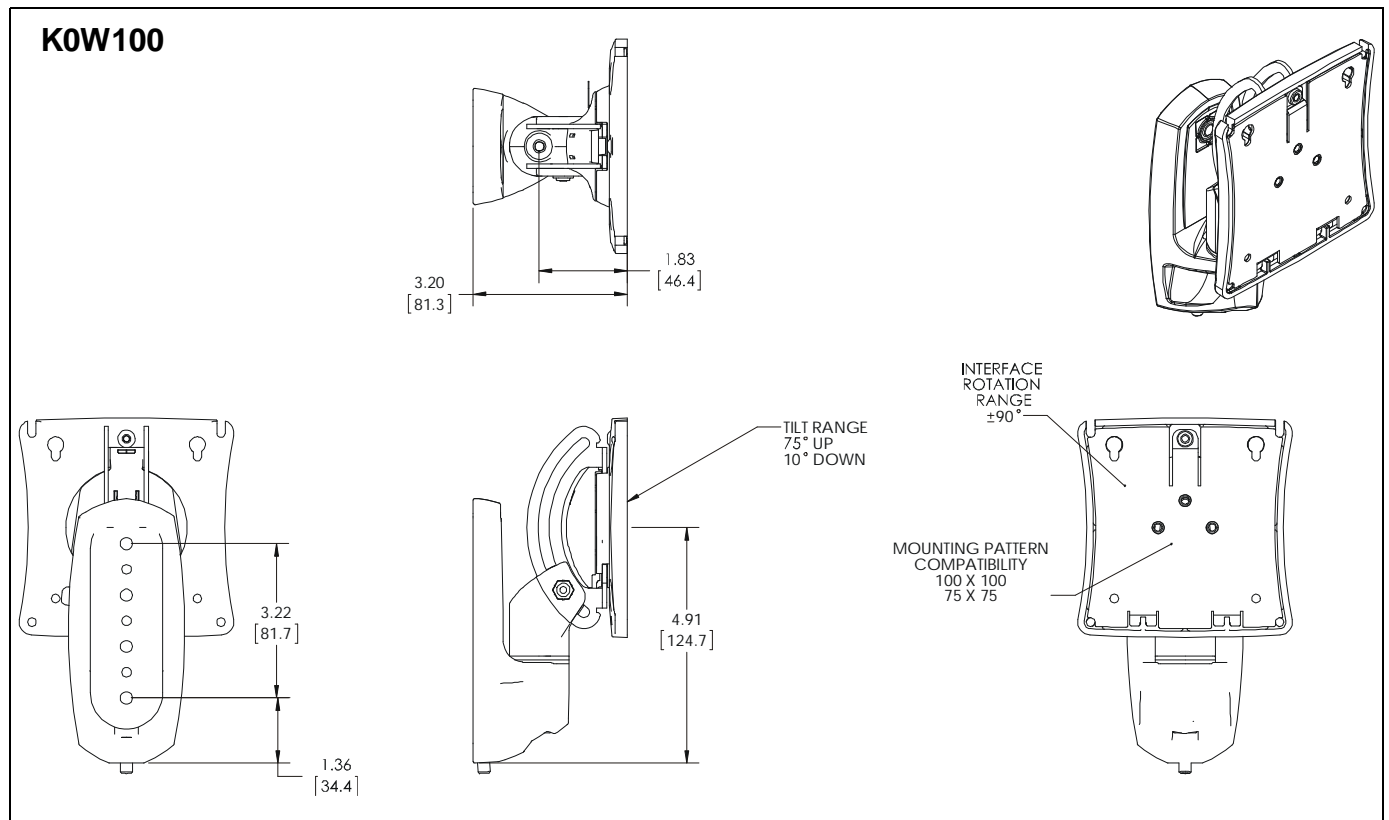
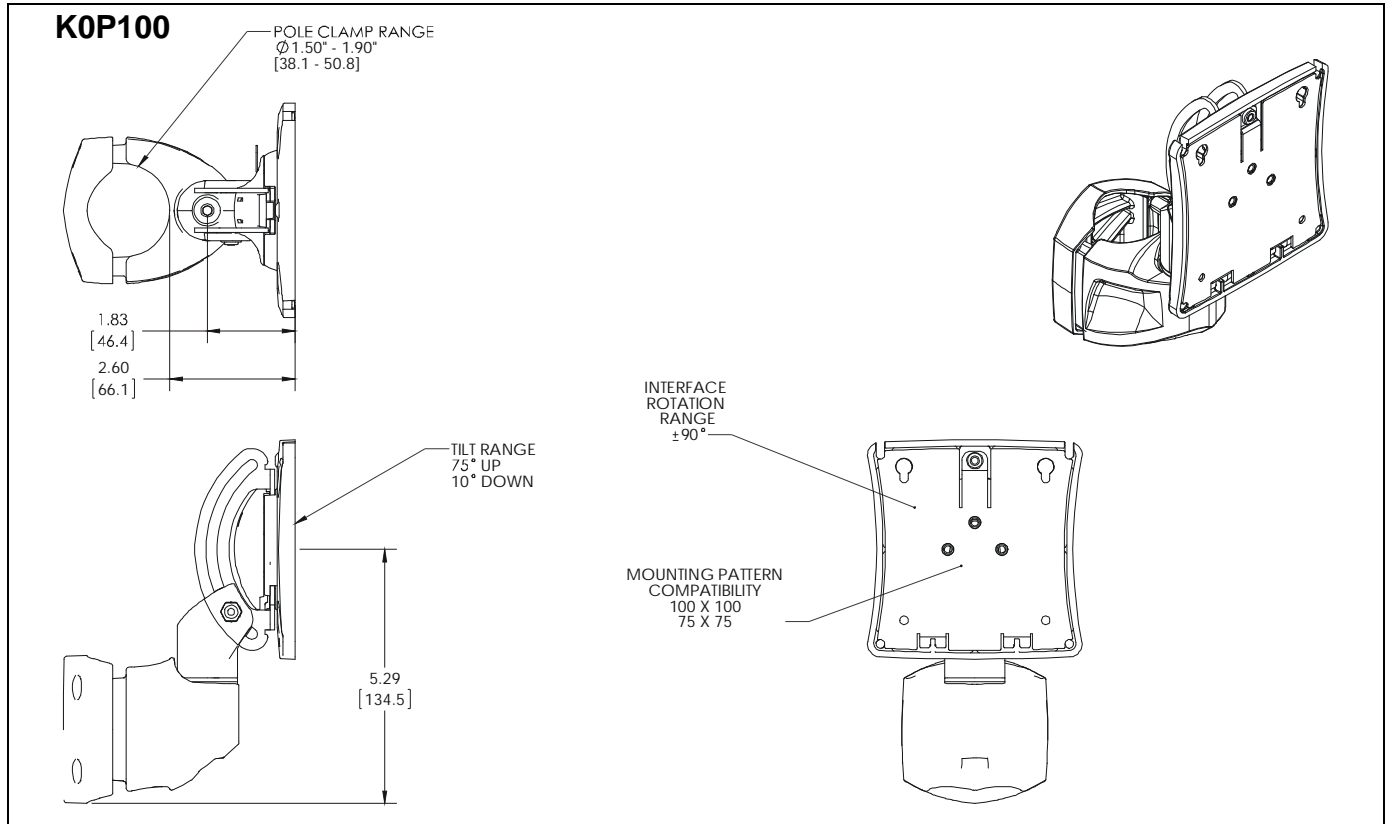
 **WARNING:** Exceeding the weight capacity can result in serious personal injury or damage to equipment! It is the installer's responsibility to make sure the combined weight of all components attached to the K0 Series Monitor Arm up to (and including) the display does not exceed the weight limits in the table below. Use with products heavier than the maximum weight indicated may result in collapse of the mount and its accessories causing possible injury.

MODEL	Max Weight
K0P100	40 lbs (18.14 kg)
K0W100	40 lbs (18.14 kg)
K0W100BXI2	2 lbs (0.9 kg)
K0W100BXI2TB	2 lbs (0.9 kg)

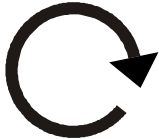

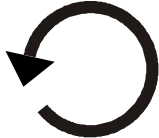









 **WARNING:** Do not use this product outdoors.

--SAVE THESE INSTRUCTIONS!--

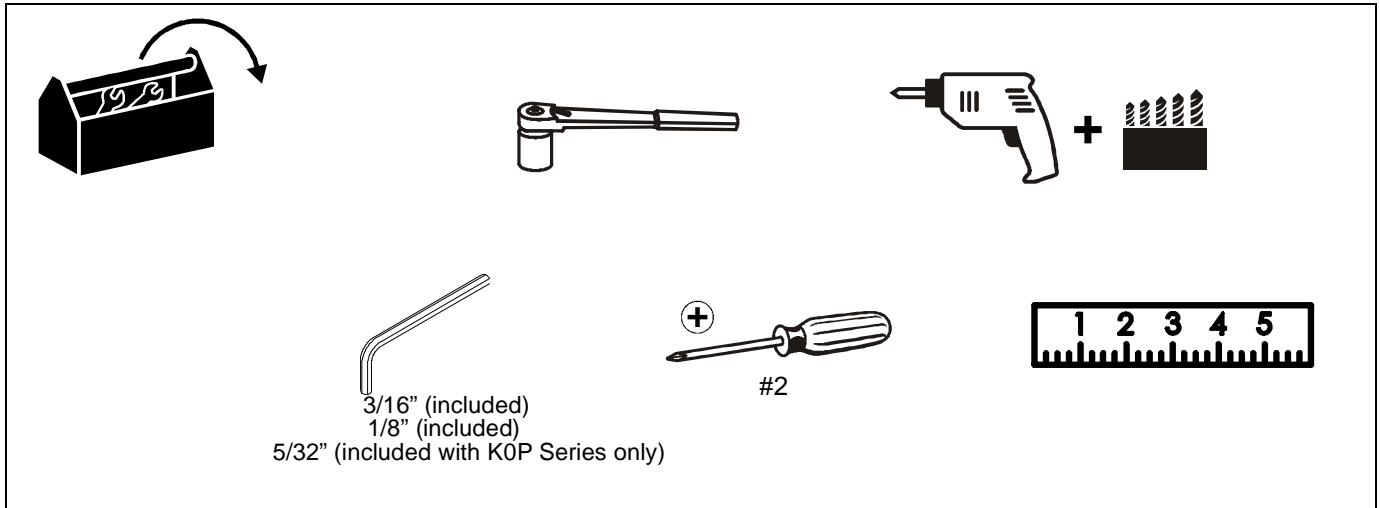
DIMENSIONS



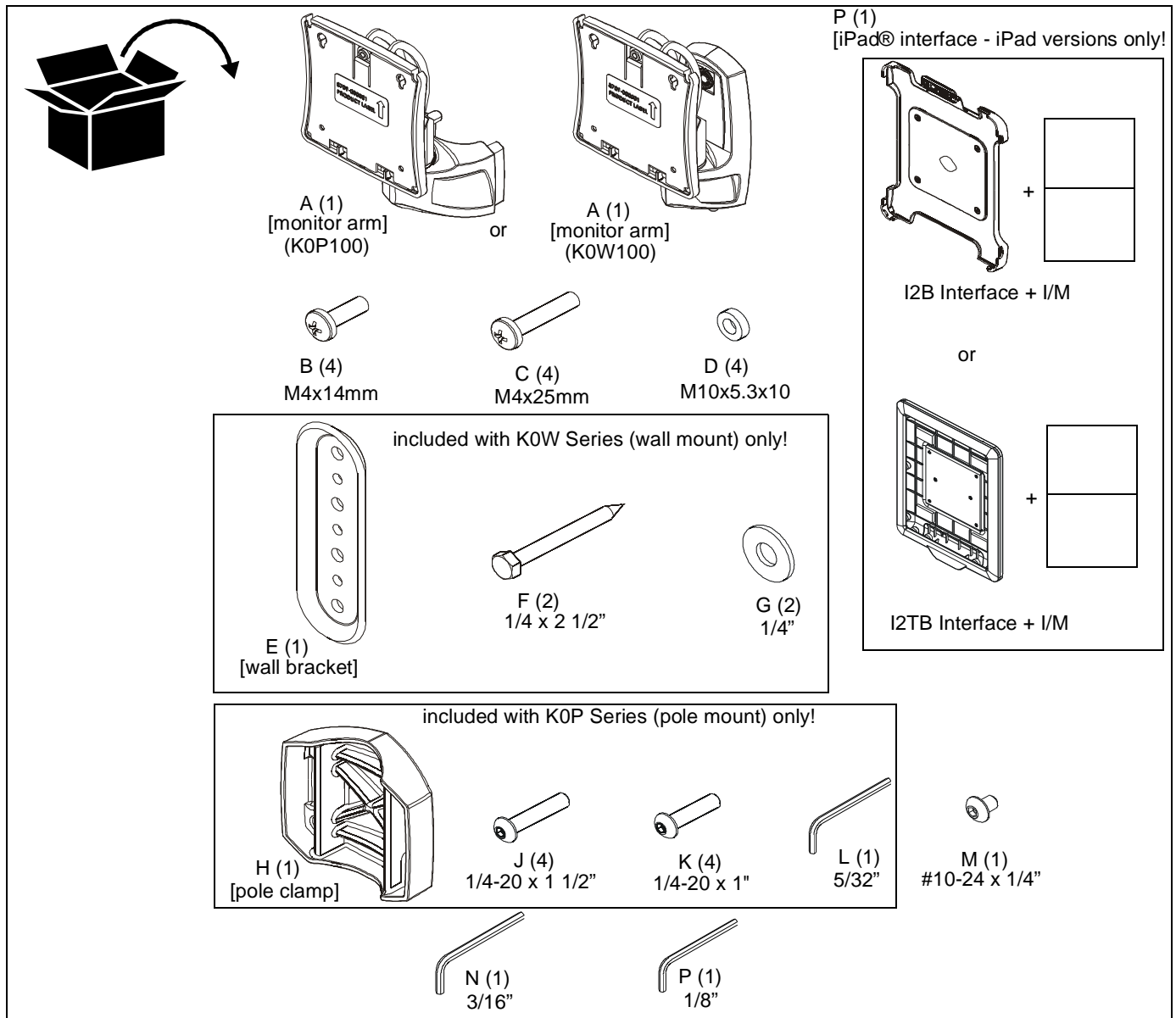
LEGEND

	Tighten Fastener Apretar elemento de fijación Befestigungsteil festziehen Apertar fixador Serrare il fissaggio Bevestiging vastdraaien Serrez les fixations		Pencil Mark Marcar con lápiz Stiftmarkierung Marcar com lápis Segno a matita Potloodmerkteken Marquage au crayon
	Loosen Fastener Aflojar elemento de fijación Befestigungsteil lösen Desapertar fixador Allentare il fissaggio Bevestiging losdraaien Desserrez les fixations		Drill Hole Perforar Bohrloch Fazer furo Praticare un foro Gat boren Percez un trou
	Phillips Screwdriver Destornillador Phillips Kreuzschlitzschraubendreher Chave de fendas Phillips Cacciavite a stella Kruiskopschroevendraaier Tournevis à pointe cruciforme		Adjust Ajustar Einstellen Ajustar Regolare Afstellen Ajuster
	Open-Ended Wrench Llave de boca Gabelschlüssel Chave de bocas Chiave a punte aperte Steeksleutel Clé à fourche		Remove Quitar Entfernen Remover Rimuovere Verwijderen Retirez
	By Hand A mano Von Hand Com a mão A mano Met de hand À la main		Optional Opcional Optional Opcional Opzionale Optie En option
	Hex-Head Wrench Llave de cabeza hexagonal Sechskantschlüssel Chave de cabeça sextavada Chiave esagonale Zeskantsleutel Clé à tête hexagonale		Security Wrench Llave de seguridad Sicherheitsschlüssel Chave de segurança Chiave di sicurezza Veiligheidsleutel Clé de sécurité

TOOLS REQUIRED FOR INSTALLATION



PARTS



Assembly And Installation

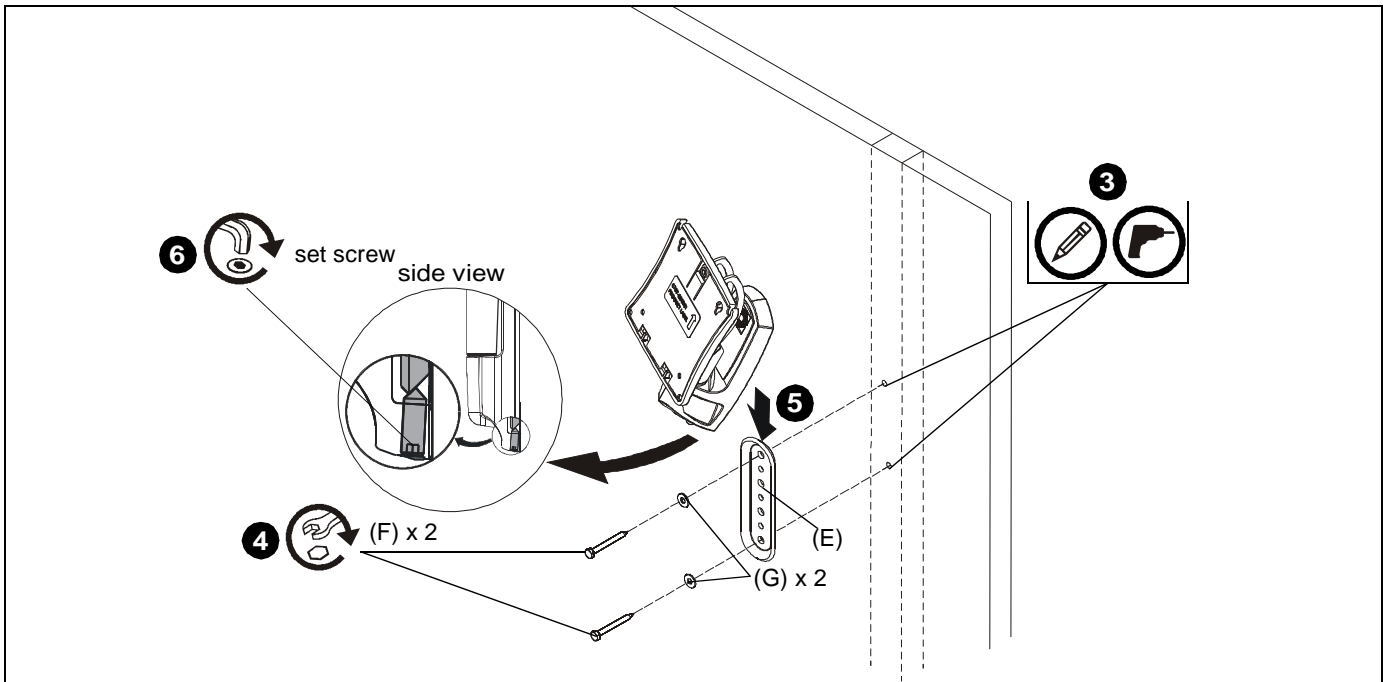


Figure 1

Connecting K0W Series (wall mount) to Wall

1. Determine mounting location on wall.
2. Use a stud finder to locate 2" x 4" wood stud.
3. Use wall bracket (E) to mark and drill two 1/8 x 2 1/2" holes in wall at desired mounting location. (See Figure 1)
4. Use two 1/4-2 1/2" hex head lag screws (F) and two 1/4" washers (G) to install wall bracket (E) onto wall. (See Figure 1)

IMPORTANT ! : Over tightening screws (F) may cause bracket to compress into soft wall surface resulting in difficult mount installation or improper engaging of set screw in Step 6.

5. Hang monitor arm (A) over wall bracket (E). (See Figure 1)
6. Secure monitor arm to wall bracket (E) by tightening set screw. Ensure set screw engages back side of wall bracket (E) to properly secure mount. (See Figure 1)

Connecting K0P Series to Pole

1. Determine approximate location for mount keeping in mind display size, extension, height adjustment requirements.
2. Place mount (A) against pole with clamp (H) on opposite side of pole. (See Figure 2)

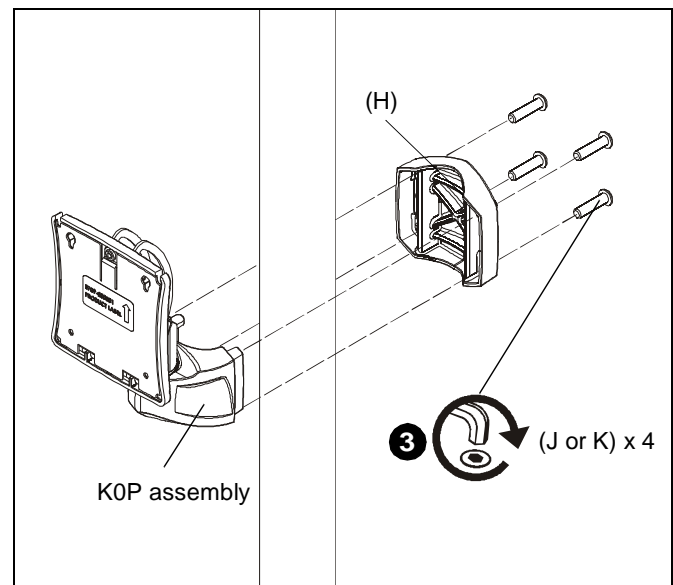


Figure 2

3. Using 5/32" hex key (L) and appropriate length screws, loosely attach K0P assembly to pole clamp (H). If installing to 1 1/2" NPT pipe, use 1/4-20 x 1 1/2" button head cap screws (J). If installing to 1 1/2" diameter pipe, use 1/4-20 x 1" button head cap screws (K). (See Figure 2)
4. Position mount at desired height and orientation.
5. Equally tighten screws against mount and the pole clamp.

Display Installation



WARNING: Exceeding the weight capacity can result in serious personal injury or damage to equipment! It is the installer's responsibility to make sure the combined weight of all components attached to the K0 Series Monitor Arm up to (and including) the display does not exceed the weight limits in the table below. Use with products heavier than the maximum weight indicated may result in collapse of the mount and its accessories causing possible injury.

MODEL	Max Weight
K0P100	40 lbs (18.14 kg)
K0W100	40 lbs (18.14 kg)
K0W100BXI2	2 lbs (0.9 kg)
K0W100BXI2TB	2 lbs (0.9 kg)

NOTE: For K0W100BXI2 mounts, refer to FSBI2B installation instructions to install iPad® to mounting arm.

1. Remove quick release faceplate from mount by pulling quick release lever and sliding faceplate off mount. (See Figure 3)

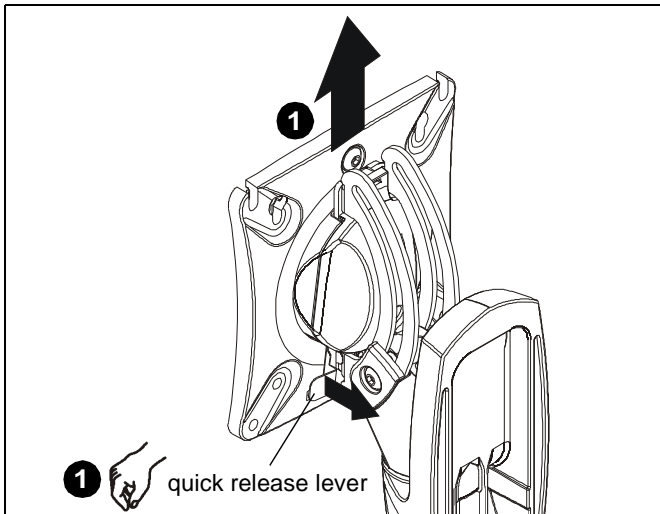


Figure 3



WARNING: Only remove display from mount when the display can be lifted up from the mount! DO NOT remove display unless the display is in the upright position! See Display Removal section for details.

2. Carefully place display face down on protective surface.
3. Connect faceplate to display

For flush mounting hole installation:

- Using Phillips screwdriver, carefully install four M4x14mm screws (B) through corresponding holes on faceplate and into the mounting holes on the display. (See Figure 4)

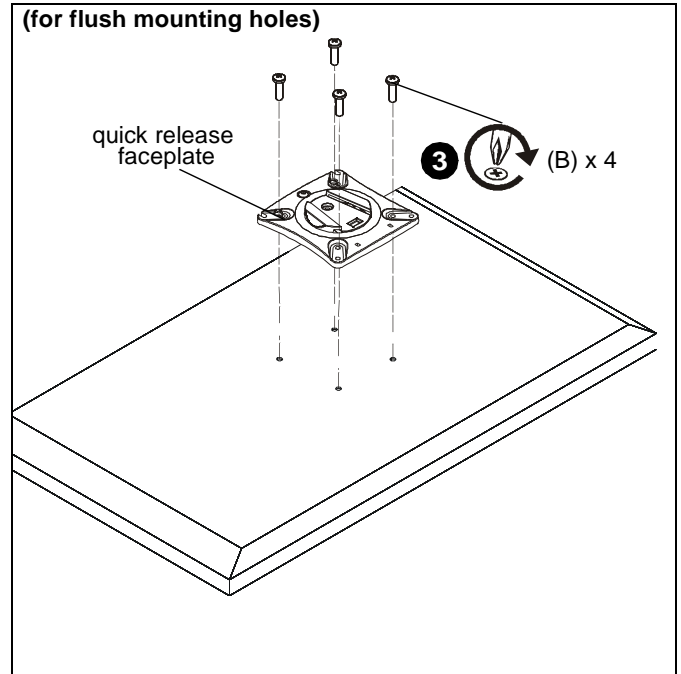


Figure 4

For recessed mounting hole installation:

- Place four spacers (D) on top of mounting holes on back of display. (See Figure 5)
- Using Phillips screwdriver, carefully install four M4x25mm screws (C) through corresponding holes on faceplate, spacers (D) and into the mounting holes on the display. (See Figure 5)

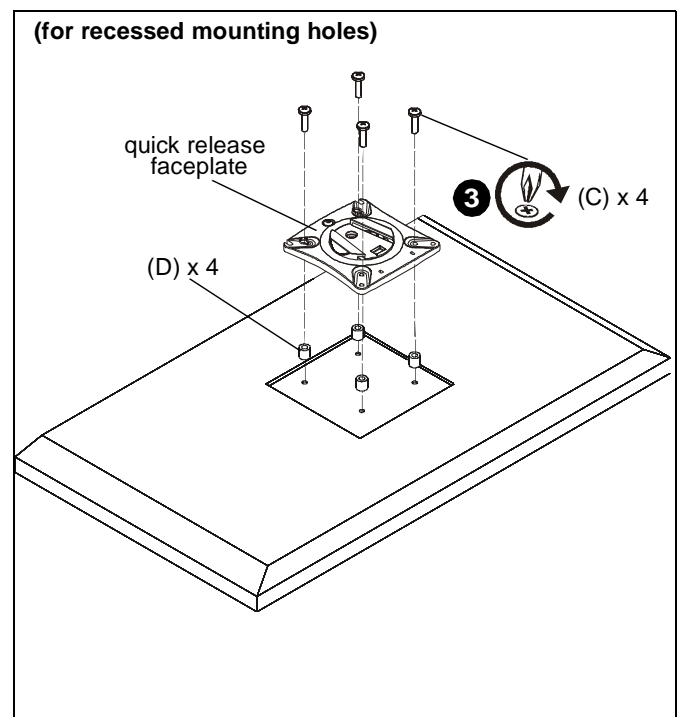


Figure 5

4. Position display with faceplate attached above mount. (See Figure 6)
5. Slide faceplate onto mounting head until quick release tab clicks into place. (See Figure 6)

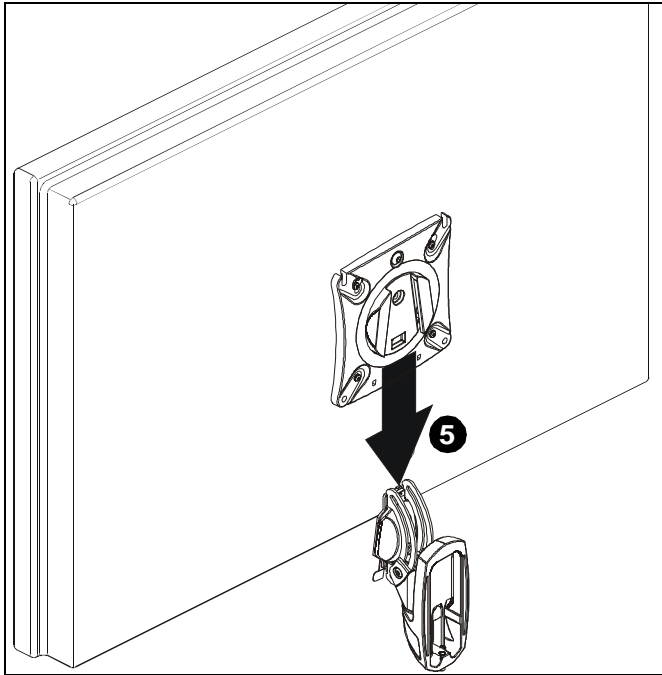


Figure 6

5. The monitor may be adjusted 90 degrees in either direction in order to provide a portrait view of the monitor. (See Figure 8)
6. Use 3/16" hex key (N) to adjust rotational adjustment screw to adjust rotational tension. (See Figure 8)

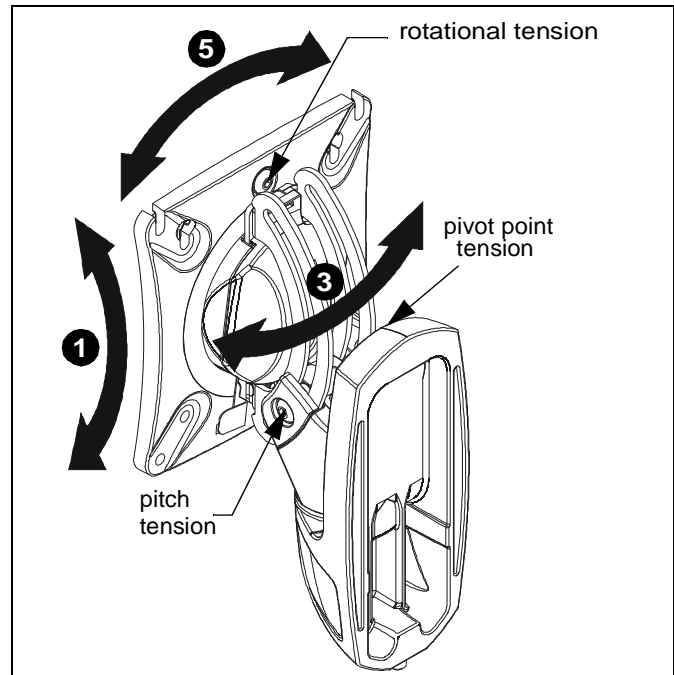


Figure 8

Adjustments

Pitch Adjustment

1. Adjust pitch to desired tilt position. (See Figure 8)
2. Adjust pitch tension screw to change the adjustment tension. (See Figure 8)

Pivot Adjustment

3. Adjust pivot position as desired. (See Figure 8)
4. Use 3/16" hex key (N) to adjust pivot point tension screws to change pivot adjustment tension. (See Figure 8)

Rotational Adjustment

NOTE: (Optional) Rotational adjustment may be locked by installing rotational locking screw (M) into back of faceplate. (See Figure 7)

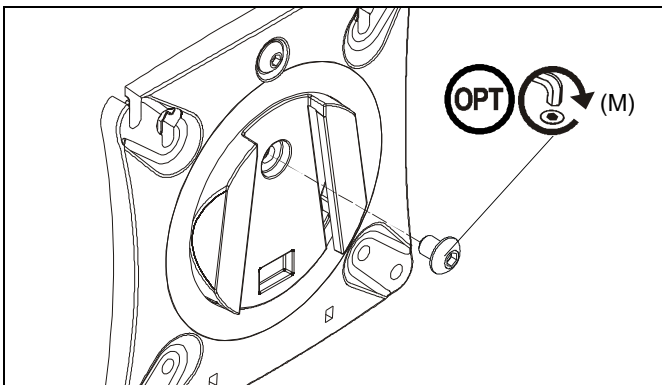


Figure 7

Display Removal



WARNING: Only remove display from mount when the display can be lifted up from the mount! DO NOT remove display unless the display is in the upright position! (See Figure 9)

1. Make sure display is in the upright position.
2. Remove quick release faceplate from mount by pulling quick release lever and sliding faceplate off mount. (See Figure 9)

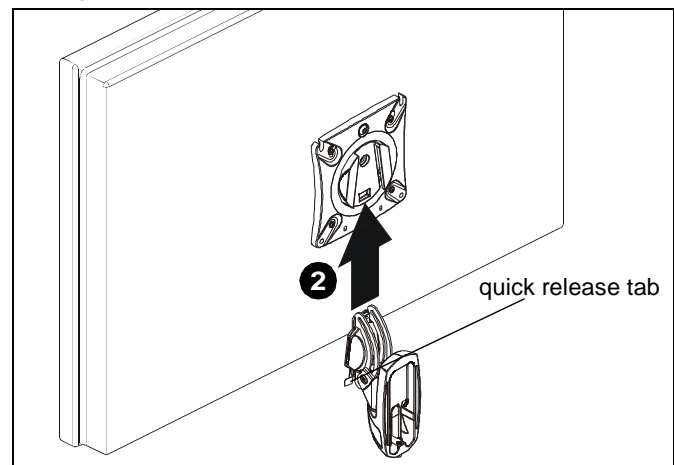


Figure 9



Our Mounts. **Your Vision.**

Chief, a products division of
Milestone AV Technologies

8800-002476 Rev02
©2014 Milestone AV Technologies
www.chiefmfg.com
07/14

USA/International	A 6436 City West Parkway, Eden Prairie, MN 55344 P 800.582.6480 / 952.225.6000 F 877.894.6918 / 952.894.6918
Europe	A Franklinstraat 14, 6003 DK Weert, Netherlands P +31 (0) 495 580 852 F +31 (0) 495 580 845
Asia Pacific	A Office No. 918 on 9/F, Shatin Galleria 18-24 Shan Mei Street Fotan, Shatin, Hong Kong P 852 2145 4099 F 852 2145 4477

