



FEATURES

- 1 CENTRIS™ FINGERTIP TILT**
Effortlessly adjust display using Centris fingertip tilt technology. Screen angle stays set until you decide to re-adjust.
- 2 TELESCOPING HEIGHT ADJUSTMENT**
Integrated knob provides tool-less telescoping adjustment from 4 ft (120 cm) to 7 ft (210 cm).
- 3 CLICKCONNECT™ TECHNOLOGY**
PATENT-PENDING
An audible click confirms flat panels are locked in place. Easy to connect/disconnect - no tools needed!
- 4 PORTRAIT/LANDSCAPE CAPABILITY**
Mounts in either portrait or landscape position.
- 5 CABLE MANAGEMENT**
Flexible covers hide cables for a clean installation.



(PF1 shown, PAC710 Accessory Shelf not included)

SPECIFICATIONS

Dimensions* (WxHxD)	36" x 91.6" x 30" (91.4 x 232.7 x 76.2 cm)
Height	4 - 7' (120 - 210 cm)
Tilt	+/-15°
Weight Capacity	125 lbs (56.7 kg)
Colors	Black, Silver

* Dimensions don't include interface bracket

WHAT YOU NEED TO KNOW

ABOUT MF1™

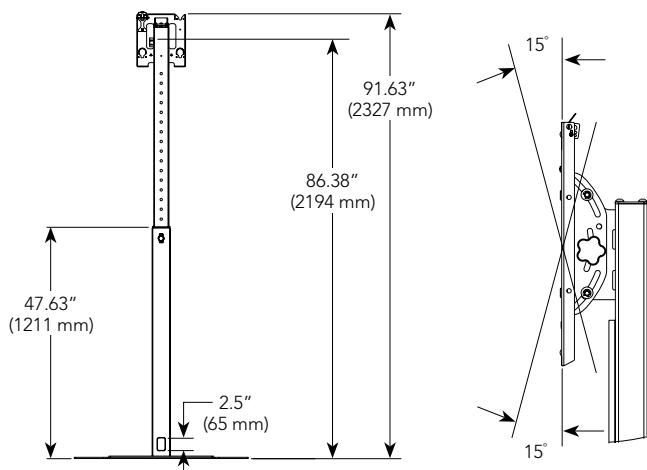
Disassembles with one tool. Designed with lightweight aluminum its unique flat angled base makes corner positioning easy. Universal interface bracket sold with MF1U, custom interface brackets sold separately with MF1.

OTHER PRODUCT OPTIONS



MF2
Dual Floor Stand

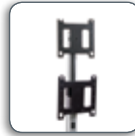
TECHNICAL DRAWINGS



RECOMMENDED ACCESSORIES



PAC710 □ Accessory Shelf



MAC720 □ Dual Display Accessory



PAC150 □ Video Conferencing Camera Shelf

For a complete list of flat panel mount accessories see page 73.