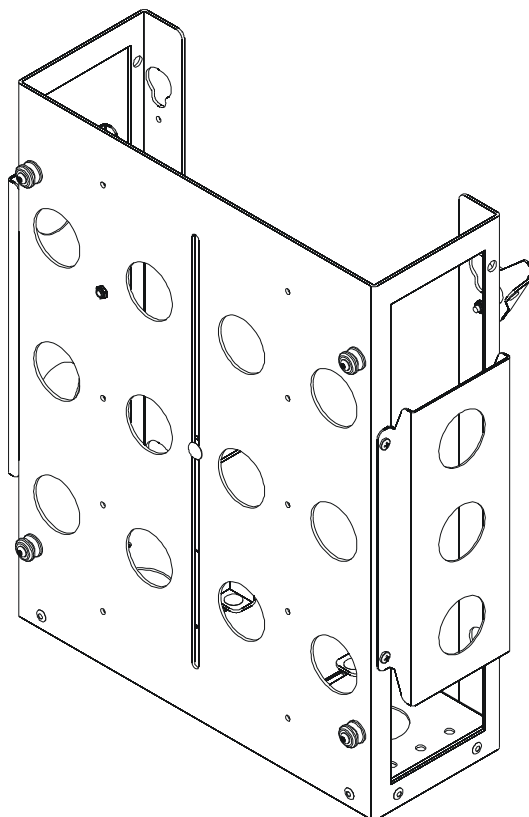


INSTALLATION INSTRUCTIONS



CPU Interface Adapter

DISCLAIMER

Milestone AV Technologies, Inc., and its affiliated corporations and subsidiaries (collectively, "Milestone"), intend to make this manual accurate and complete. However, Milestone makes no claim that the information contained herein covers all details, conditions or variations, nor does it provide for every possible contingency in connection with the installation or use of this product. The information contained in this document is subject to change without notice or obligation of any kind. Milestone makes no representation of warranty, expressed or implied, regarding the information contained herein. Milestone assumes no responsibility for accuracy, completeness or sufficiency of the information contained in this document.



IMPORTANT WARNINGS AND CAUTIONS!



WARNING: A WARNING alerts you to the possibility of serious injury or death if you do not follow the instructions.



CAUTION: A CAUTION alerts you to the possibility of damage or destruction of equipment if you do not follow the corresponding instructions.



WARNING: Failure to read, thoroughly understand, and follow all instructions can result in serious personal injury, damage to equipment, or voiding of factory warranty! It is the installer's responsibility to make sure all components are properly assembled and installed using the instructions provided.

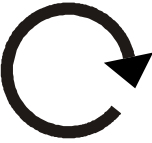



WARNING: Failure to provide adequate structural strength for this component can result in serious personal injury or damage to equipment! It is the installer's responsibility to make sure the structure to which this component is attached can support five times the combined weight of all equipment. Reinforce the structure as required before installing the component.





WARNING: Exceeding the weight capacity can result in serious personal injury or damage to equipment! It is the installer's responsibility to make sure the combined weight of all components does not exceed the maximum weight capacity of the mount to which this accessory is being installed.


LEGEND


	Tighten Fastener
	Apretar elemento de fijación
	Befestigungsteil festziehen
	Apertar fixador
	Serrare il fissaggio
	Bevestiging vastdraaien
Serrez les fixations	


	Pencil Mark
	Marcar con lápiz
	Stiftmarkierung
	Marcar com lápis
	Segno a matita
	Potloodmerkten
Marquage au crayon	


	Loosen Fastener
	Aflojar elemento de fijación
	Befestigungsteil lösen
	Desapertar fixador
	Allentare il fissaggio
	Bevestiging losdraaien
Desserrez les fixations	


	Drill Hole
	Perforar
	Bohrloch
	Fazer furo
	Praticare un foro
	Gat boren
Percez un trou	

	Phillips Screwdriver
	Destornillador Phillips
	Kreuzschlitzschraubendreher
	Chave de fendas Phillips
	Cacciavite a stella
	Kruiskopschroevendraaier
Tournevis à pointe cruciforme	

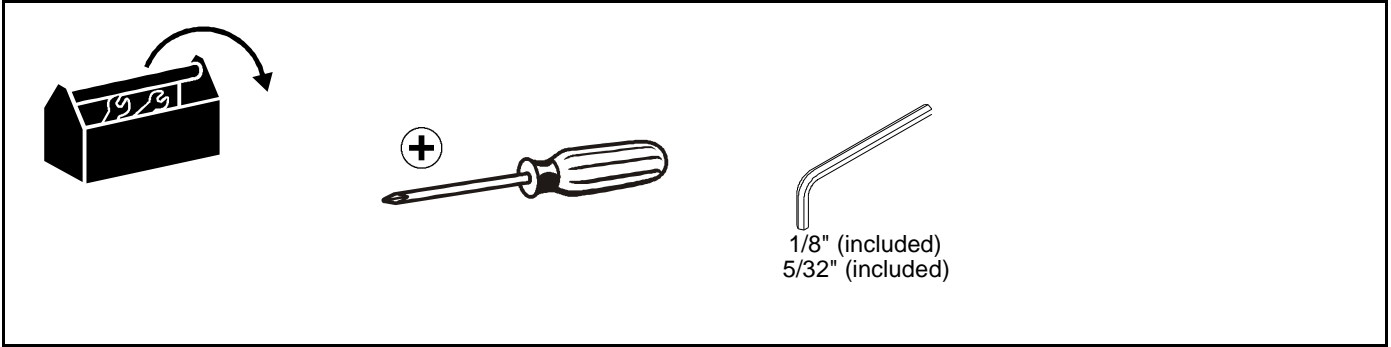
	Optional
	Opcional
	Optional
	Opcional
	Opzionale
	Optie
En option	

	Open-Ended Wrench
	Llave de boca
	Gabelschlüssel
	Chave de bocas
	Chiave a punte aperte
	Steeksleutel
Clé à fourche	

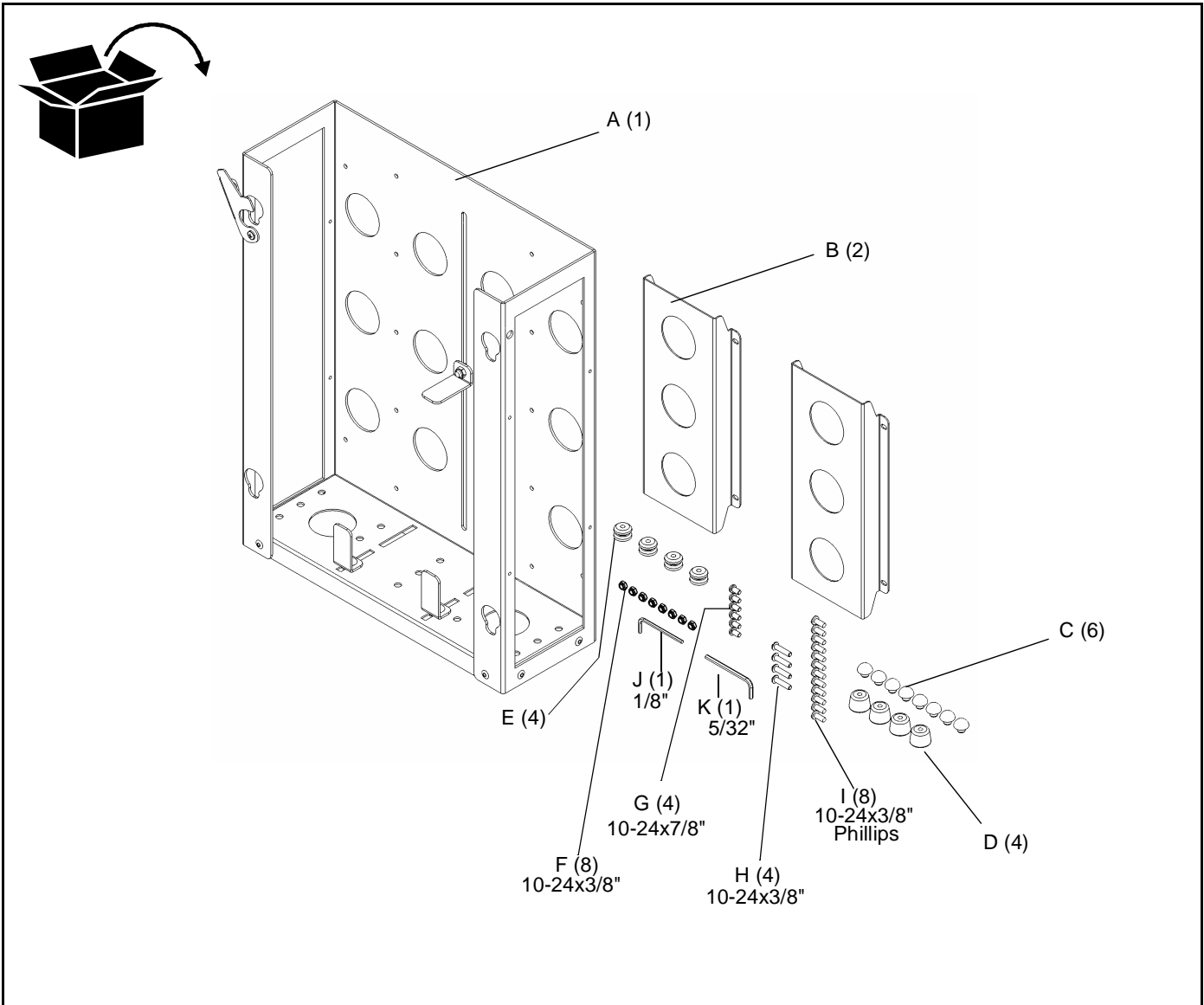
	Security Wrench
	Llave de seguridad
	Sicherheitsschlüssel
	Chave de segurança
	Chiave di sicurezza
	Veiligheidssleutel
Clé de sécurité	

	Hex-Head Wrench
	Llave de cabeza hexagonal
	Sechskantschlüssel
	Chave de cabeça sextavada
	Chiave esagonale
	Zeskantsleutel
Clé à tête hexagonale	

TOOLS REQUIRED FOR INSTALLATION



PARTS



Assembly And Installation

- Using a 10-24 button head cap screw (G) inserted from inside of bracket, secure mounting button (E), with chamfered hole of mounting button (larger surface) facing bracket, to bracket. Repeat with other three mounting buttons. (See Figures 1 & 2)

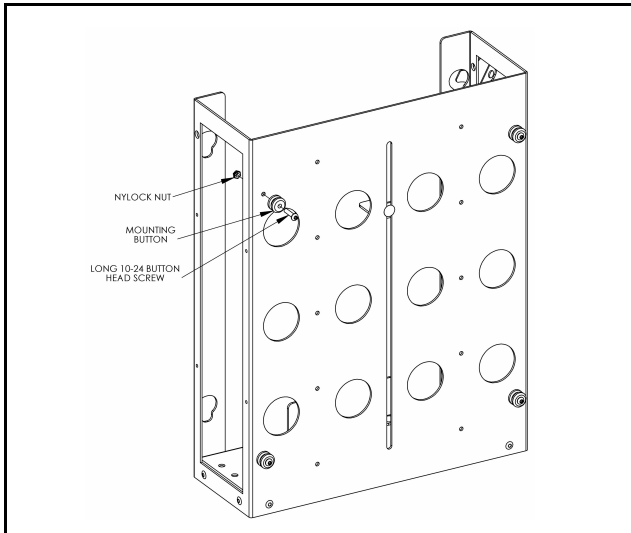


Figure 1

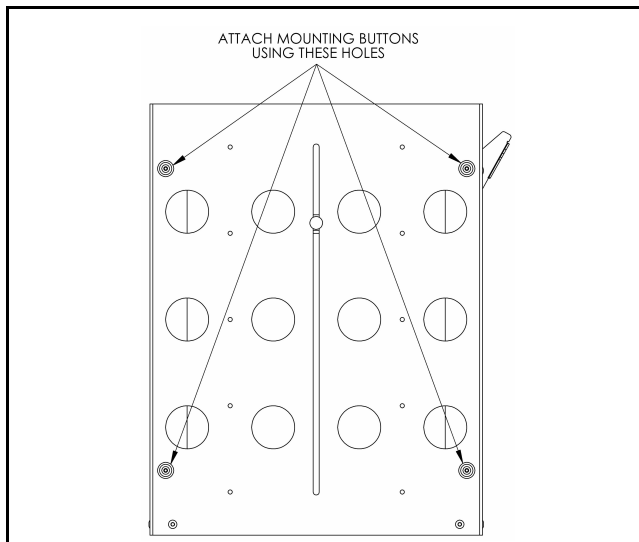


Figure 2

- Attach large bumpers (D), making sure the CPU will rest against the bumpers when installed. (See Figures 3 & 4)

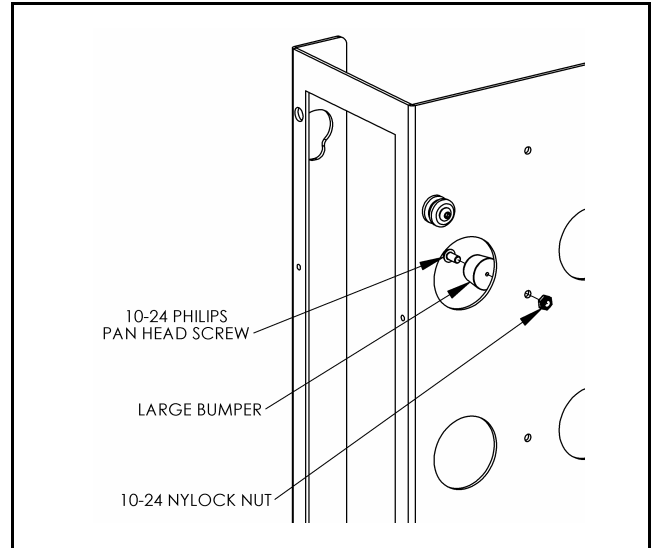


Figure 3

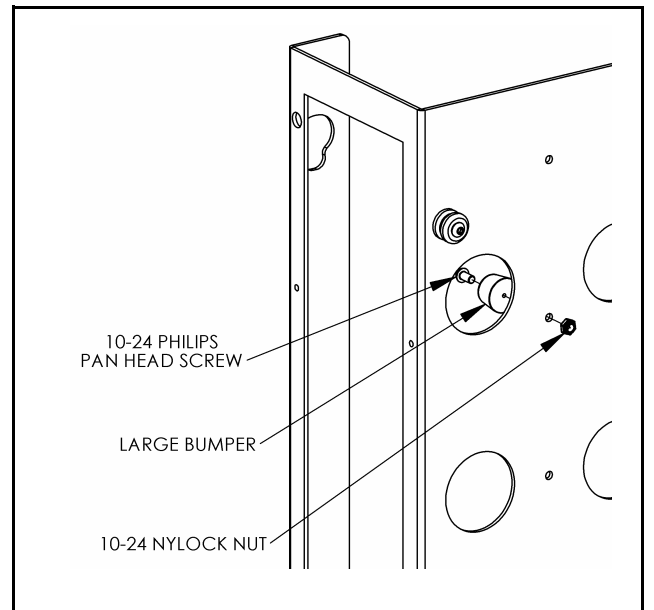


Figure 4

3. Attach small bumpers (C), making sure the CPU will rest against the bumpers when installed. (See Figures 5 & 6)

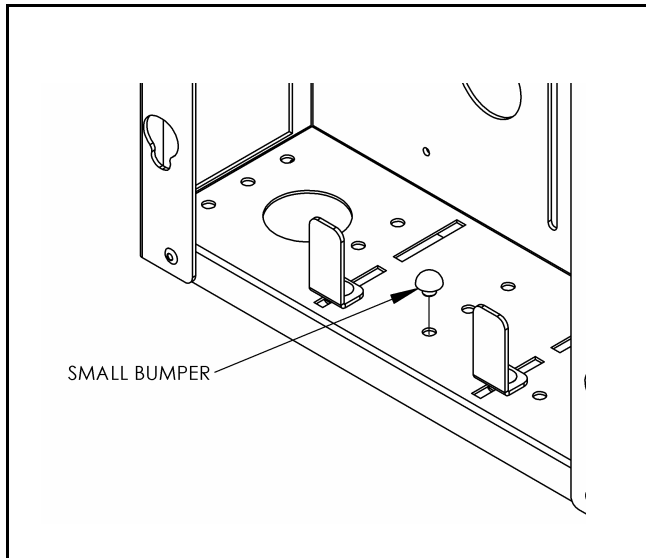


Figure 5

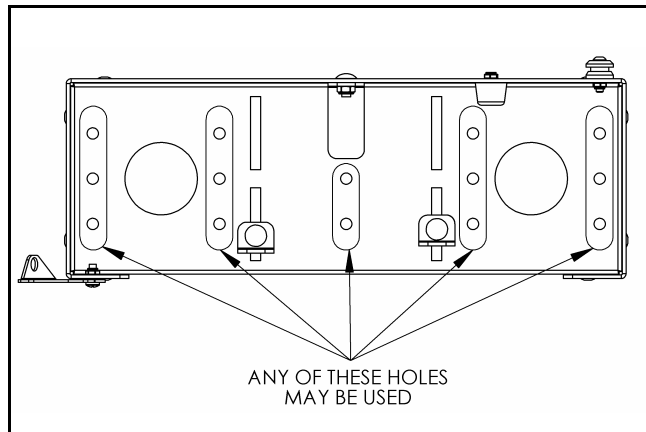


Figure 6

4. Turn adapter on its end. (See Figure 7)
5. If necessary, slide brackets out of the way before installing the CPU inside adapter.
6. Install the CPU Inside adapter.
7. Adjust side brackets until they firmly press against sides and top of CPU.
8. while pressing brackets against CPU, tighten all Nylock nuts. The CPU should now be completely rigid inside of adapter.

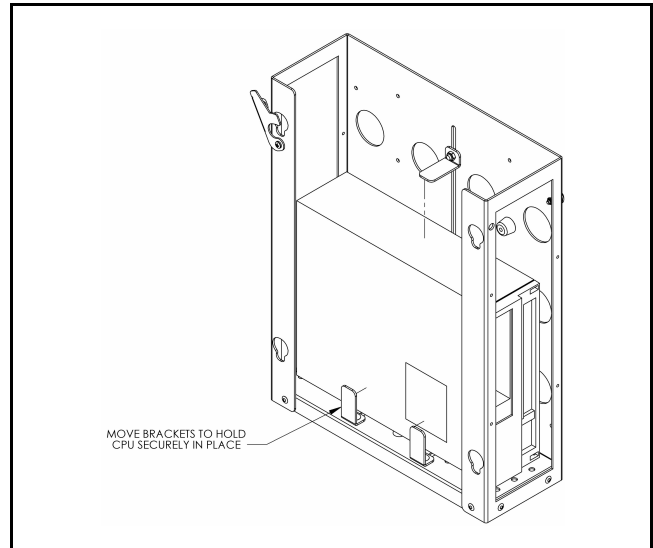


Figure 7

9. Using 10-24 pan head Phillips or button head security screws (I or H), secure side covers. (See Figure 8)

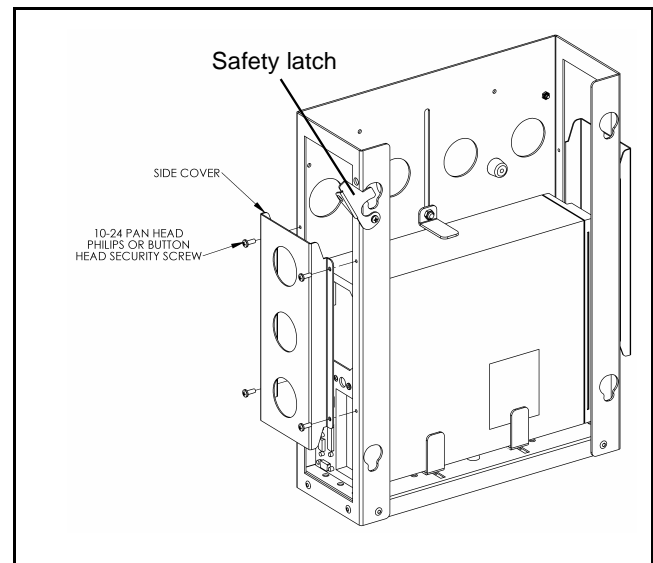


Figure 8

10. Lift Interface Adapter (A) up to Chief Mount, aligning buttons (E) of adapter with slots in the Chief Mount. Make sure the tear drop slots of Interface Adapter (A) face down replicating those of the Chief Mount.
11. Raise safety latch on Chief Mount to secure Display, making sure latch is completely engaged.
12. With the aid of another person, lift Large Flat Panel Display up to the PAC-252 CPU Interface Adapter (A), aligning buttons of mounting brackets with slots in adapter.
13. Raise safety latch on PAC-252 to secure Display, making sure latch is completely engaged.



Our Mounts. **Your Vision.**

Chief Manufacturing, a products division
of Milestone AV Technologies

8832-000081 Rev 01

©2010 Milestone AV Technologies, a

Duchossois Group Company

www.chiefmfg.com

08/10

USA/International A 8401 Eagle Creek Parkway, Savage, MN 55378
P 800.582.6480 / 952.894.6280
F 877.894.6918 / 952.894.6918

Europe A Fellenoord 130 5611 ZB EINDHOVEN, The Netherlands
P +31 (0)40 2668620
F +31 (0)40 2668615

Asia Pacific A Office No. 1 on 12/F, Shatin Galleria
18-24 Shan Mei Street
Fotan, Shatin, Hong Kong
P 852 2145 4099
F 852 2145 4477

