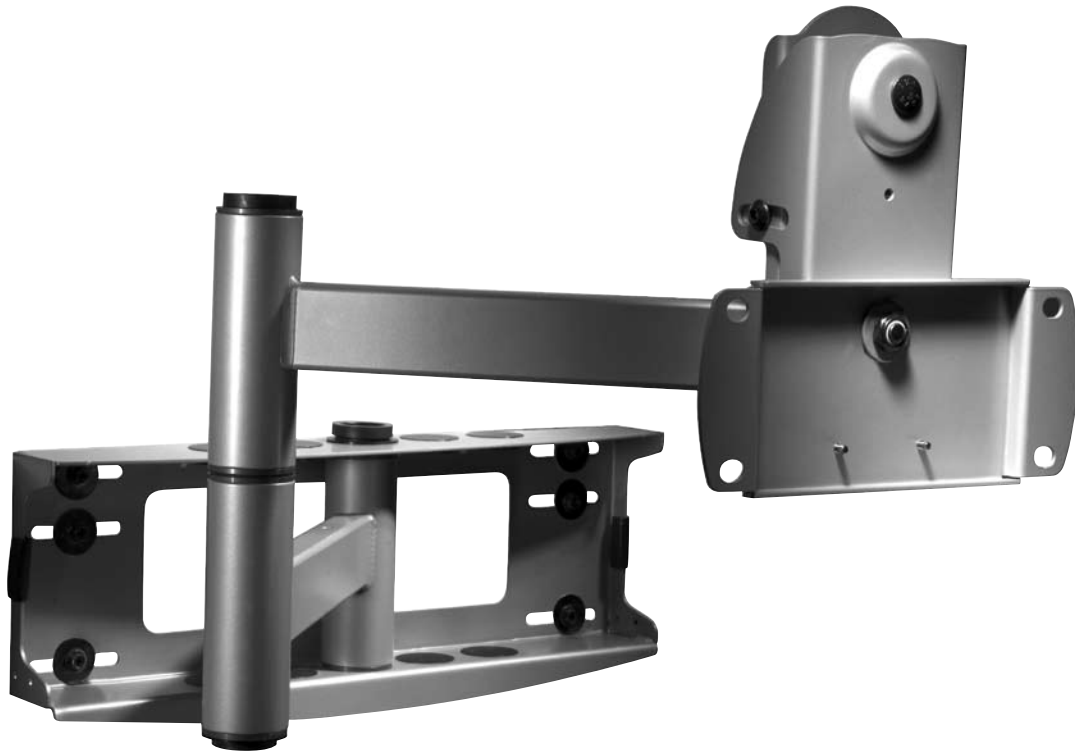


Articulating Wall Arm

For 32" to 65" Plasma & LCD Flat Panel Screens



Offer the best view in the room with ability to swing, tilt or articulate the most popular sizes of plasma and LCD screens. Self-lubricating bushings enable the arms to smoothly extend, while adjustable tilt and pivot position the screen to the optimal viewing angle. The PLA50 offers versatility for the most popular sizes of screen in a wide range of installations in lobbies, hotel rooms, boardrooms, public displays or home theaters.

- For 32" to 65" plasma and LCD screens
- New look and functionality
- Roll feature allows for easy screen leveling
- Folds flat against the wall
- Cord management keeps cords organized and out of sight
- Comes in black or silver

PLA50



Articulating Wall Arm

For 32" to 65" Plasma & LCD Flat Panel Screens

Model Numbers

PLA50, PLA50-S (base models)
 PLA50-UNL, PLA50-UNL-S (universal security models)
 PLA50-UNLP, PLA50-UNLP-S (universal standard models)



Product Specifications

- +10°/-5° tilt
- Up to 180° pivot
- +/-7° roll to level screen horizontally at any position
- Extends out to 29.3", retracts to 4.5" (plus thickness of required adapter plate)
- Includes mesh cord sheath and cable ties to neatly manage cords
- Mounts to two wood studs or concrete (accessory required)
- Universal models adapt to screens with up to 28.7" wide x 17" high mounting inserts

FEATURES

LOAD CAPACITY

150 lb (68 kg)

DIMENSIONS (W x H x D)

	Closed	Extended
PLA50:	23.6" x 18.7" x 4.5" (59.9 x 47.5 x 11.4 cm)	20.3" x 18.7" x 29.3" (51.6 x 47.5 x 74.4 cm)
PLA50-UNL(P):	30.75" x 19.1" x 5.6" (78 x 48.5 x 14.2 cm)	30.75" x 19.2" x 30.5" (78.1 x 48.8 x 77.5 cm)

PRODUCT WEIGHT

PLA50: 24.3 lb (11 kg)
 PLA50-UNL(P): 36.8 lb (16.7 kg)

FINISH

Scratch resistant fused epoxy

CONSTRUCTION

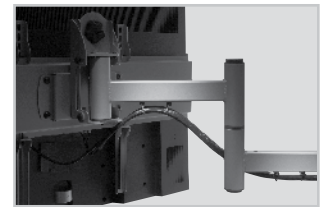
All steel

AVAILABLE COLORS

Black: PLA50, PLA50-UNL(P)
 Silver: PLA50-S, PLA50-UNL(P)-S

ACCESSORIES

Multi-channel speaker mount (MSA-101)
 Wire management channel (ACC924/ACC926)
 PLP model adapter plates
 Concrete fasteners (2 x ACC204)



Cord management

PACKAGE CONTENTS

Package Specifications

PLA50: Articulating arm, wall plate, mesh cord sheath, cable ties and mounting hardware
 PLA50-UNL(P): Articulating arm, wall plate, mesh cord sheath, cable ties, universal adapter plate, mounting and screen attachment hardware

PACKAGE SIZE (L X W X H)

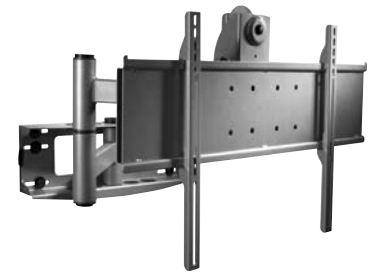
PLA50: 23.1" x 17.1" x 7.4" (58.7 x 43.4 x 18.8 cm)
 PLA50-UNL(P): 31.5" x 17.1" x 9.1" (80 x 43.4 x 23.1 cm)

PACKAGE SHIP WEIGHT

PLA50: 29.1 lb (13.2 kg)
 PLA50-UNL(P): 42.9 lb (19.5 kg)

PACKAGE UPC CODE

PLA50: 735029243229
 PLA50-S: 735029244790
 PLA50-UNL: 735029243236
 PLA50-UNL-S: 735029243243
 PLA50-UNLP: 735029243250
 PLA50-UNLP-S: 735029243267



Universal model includes universal adapter plate

WARRANTY

Limited 5-year

(800) 865-2112
 www.peerlessmounts.com

Peerless Industries, Inc.
 3215 W. North Avenue, Melrose Park, IL 60160
 (708) 865-8870 or (800) 865-2112 Fax: (708) 865-2941 www.peerlessmounts.com

© 2006 Peerless Industries, Inc. All rights reserved.
 Peerless is a registered trademark of Peerless Industries, Inc.
 All other brands, product names and taglines are trademarks or registered trademarks of their respective owners.



LIT-0148 rev.1