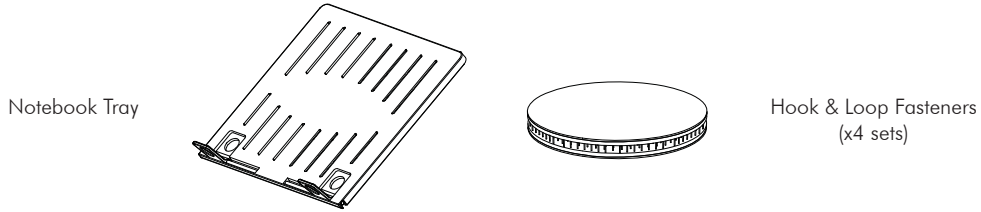


# SYSTEMA

Systema | Notebook Tray

## Component Checklist



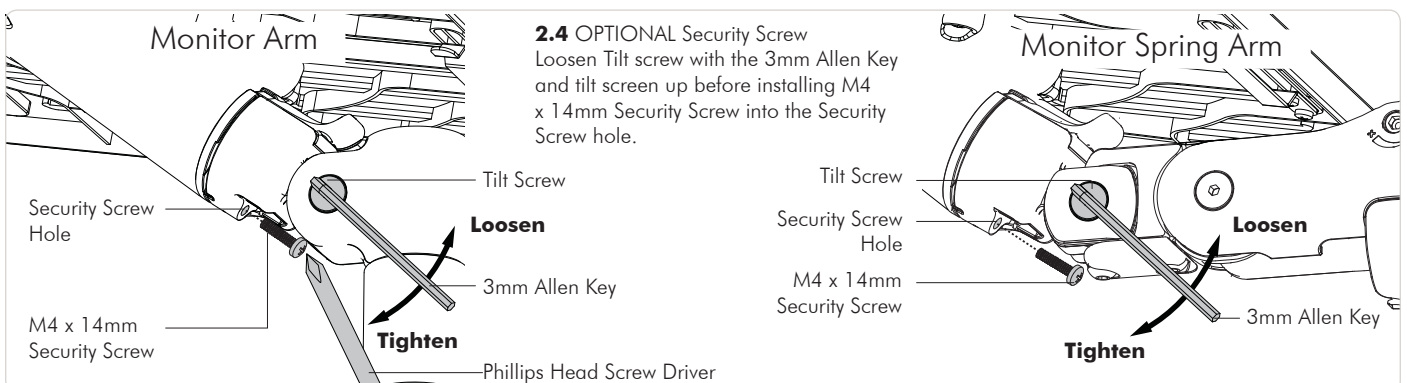
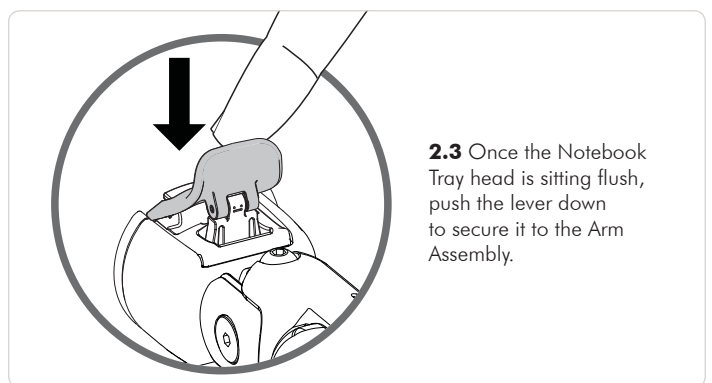
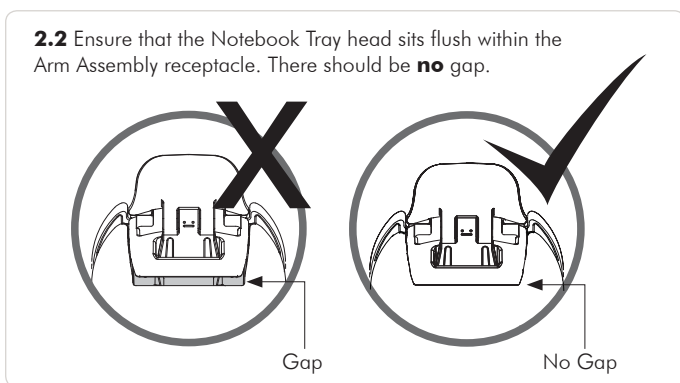
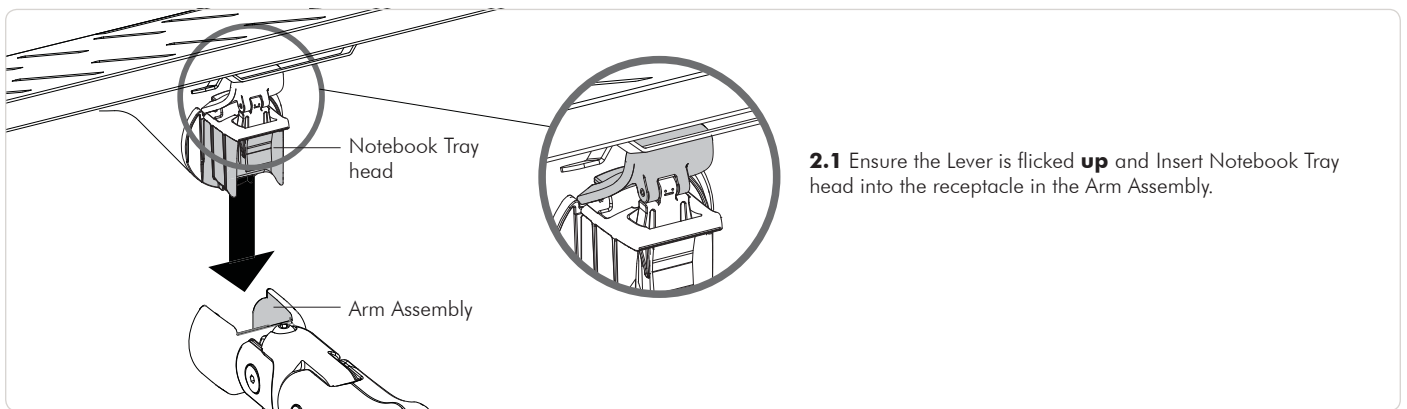
### IMPORTANT INFORMATION:

- ! **IMPORTANT - Install Systema Notebook Tray as per installation instruction.**
- ! This product supports notebooks up to 18", weighing up to 8kg (17.6lbs).
- ! The Systema Notebook Tray is designed to be used only in conjunction with the Systema range of Monitor arms.
- ! The manufacturer accepts no responsibility for incorrect installation.

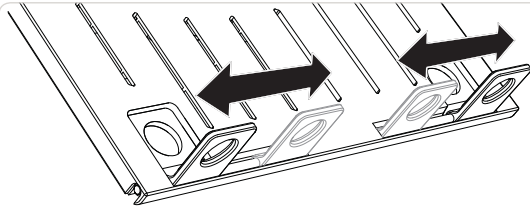
### Step 1. Check Components

Check what you have received against the component checklist and hardware above.

### Step 2. Mount Notebook Tray



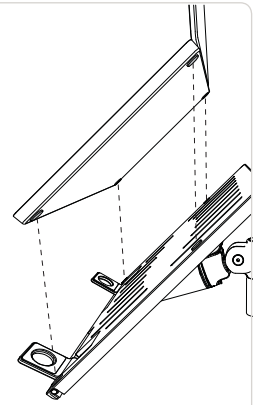
### Step 3. Install Notebook



**3.1** Adjust the Support Tabs to suit the width of the Notebook Computer ensuring that cable ports are not obstructed.

**3.2** To increase stability, use the self adhesive Hook-and-Loop Fasteners supplied.

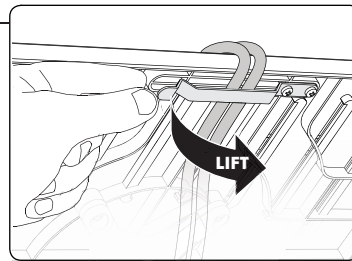
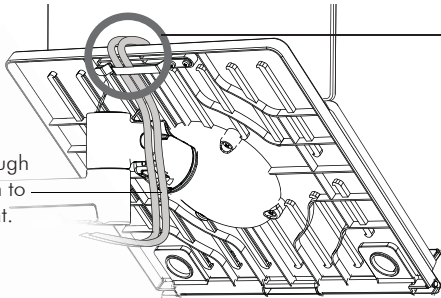
- Peel off the backing paper to the fasteners.
- Attach fasteners to both the Notebook Tray and Computer.
- Ensure that each set of fasteners are correctly aligned i.e. Hook to Loop.



### Step 4. Cable Management

**4.2** Cable Clips and Covers can be used to further manage cables.

**Note:** Ensure enough cable slack is given to allow for movement.

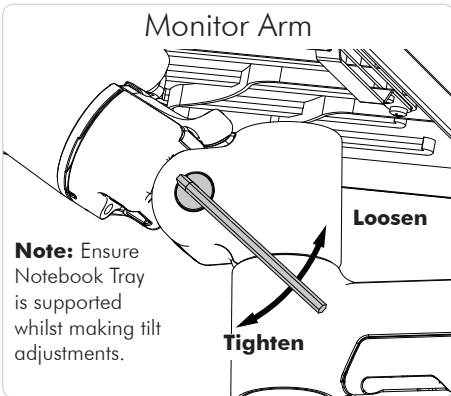


**Note:** After connecting the Notebook Cables, route them through the Cable Management Clip on the back of the Notebook Tray.

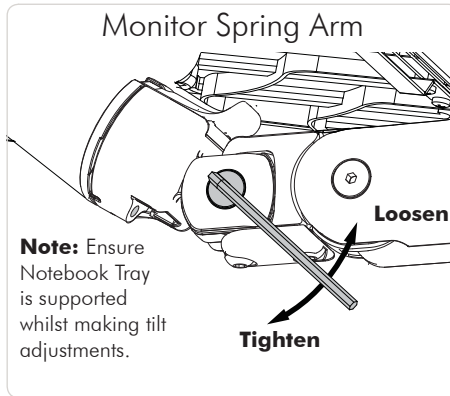
### Step 5. Adjusting the Notebook Tray

**Tilt** (Screen angle up/down) (Use 3mm Allen key)

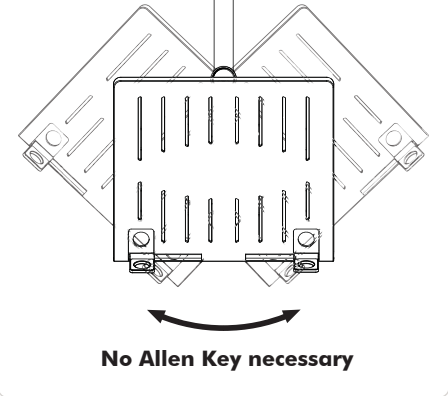
**Pan** (Screen angle left/right)



**Note:** Ensure Notebook Tray is supported whilst making tilt adjustments.

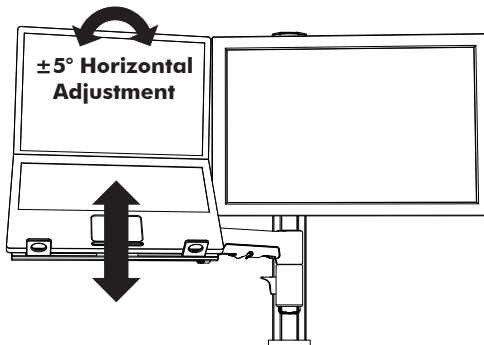


**Note:** Ensure Notebook Tray is supported whilst making tilt adjustments.



**No Allen Key necessary**

### Horizontal Adjustment



For the optimal position of your display, refer to the Ergonomic Guidelines in your Systema Monitor and Monitor Spring Arm manuals.

### Installation Complete



No portion of this document or any artwork contained herein should be reproduced in any way without the express written consent of Atdec Pty Ltd. Due to continuing product development, the manufacturer reserves the right to alter specifications without notice. Published 21.02.14 ©