

# SYSTEMA

Systema Range

## General Features

**Consist of:**

1X SS  
1X SW6

**Colours:**

Silver and Anodised Aluminium

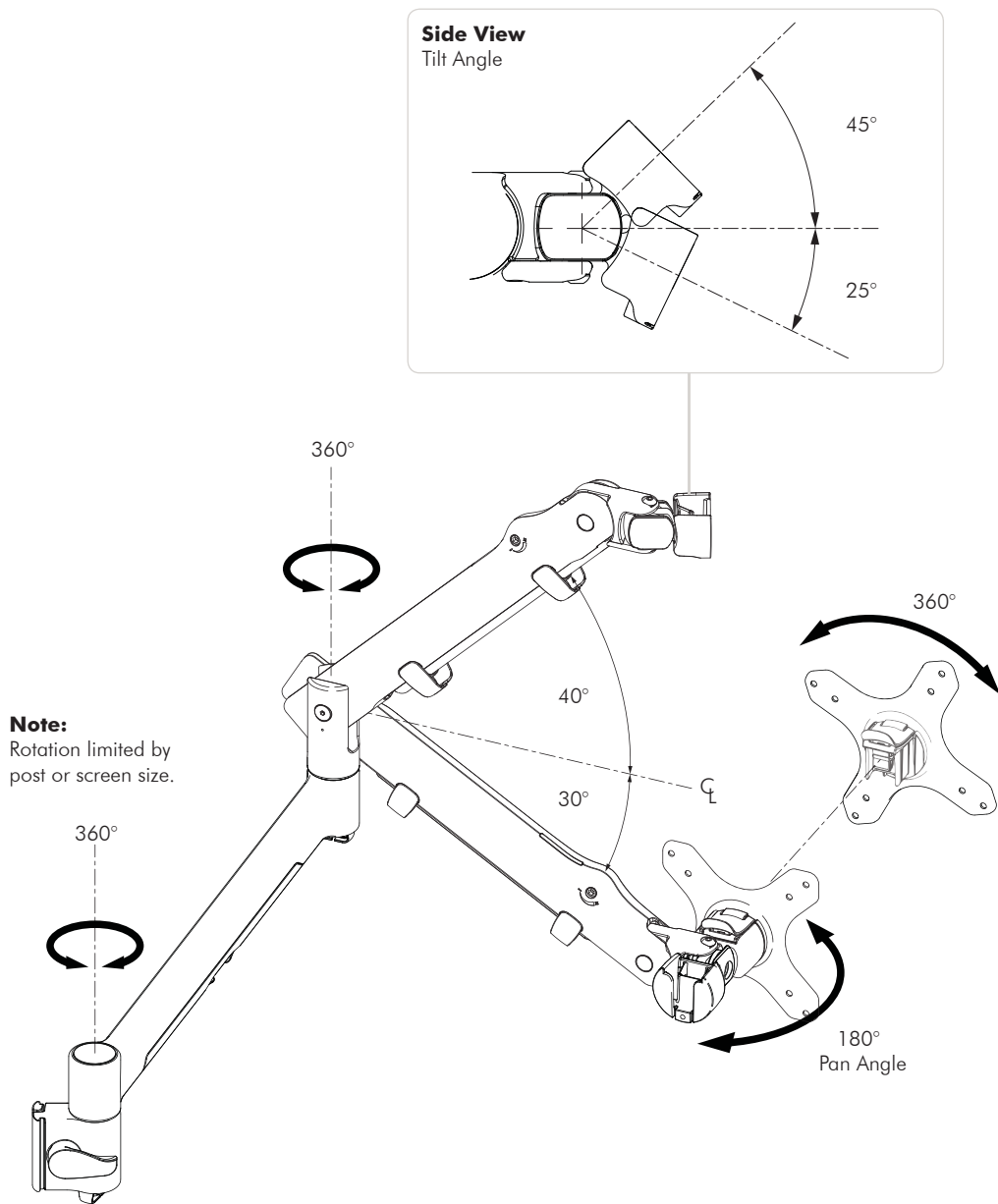
**Warranty:**

10 years limited

**Max Load:**

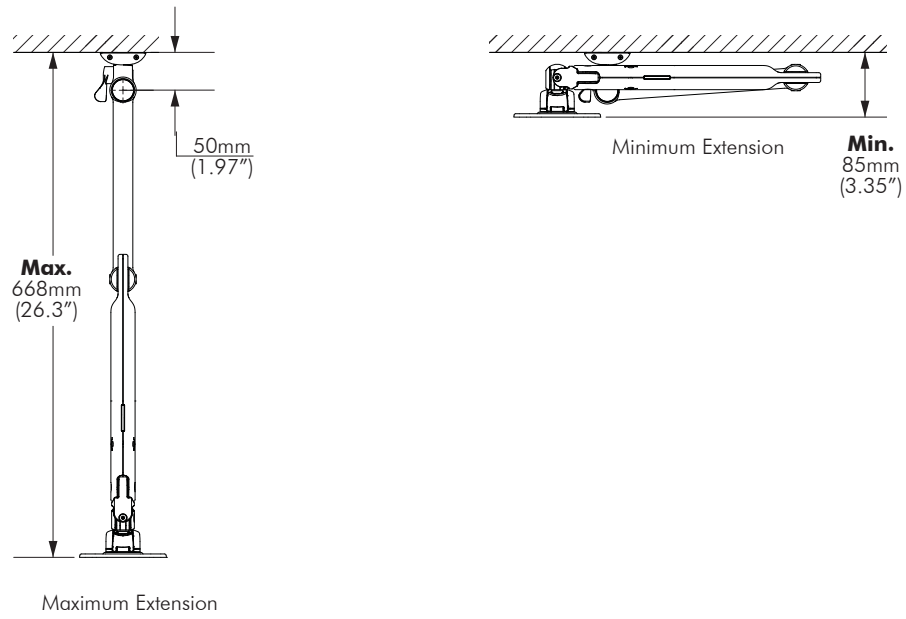
8kg (17.64 lbs) per arm

## Range Of Movement

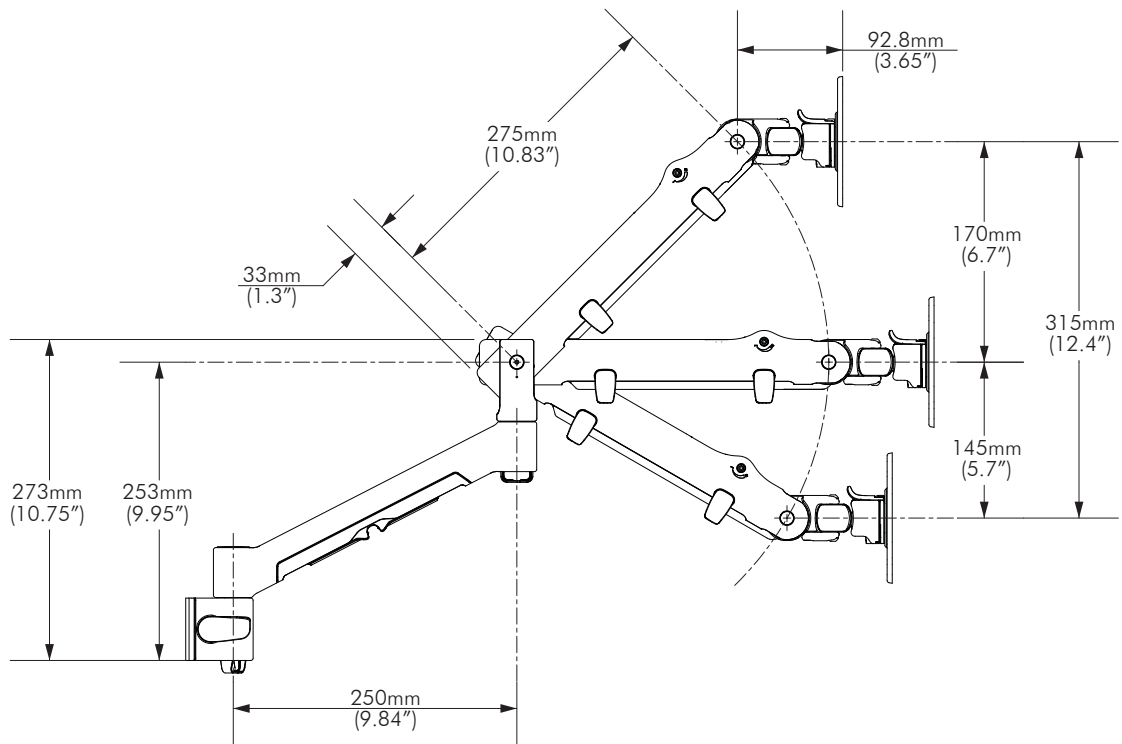


## Monitor Spring Arm | Range of Movement - Arm Extension

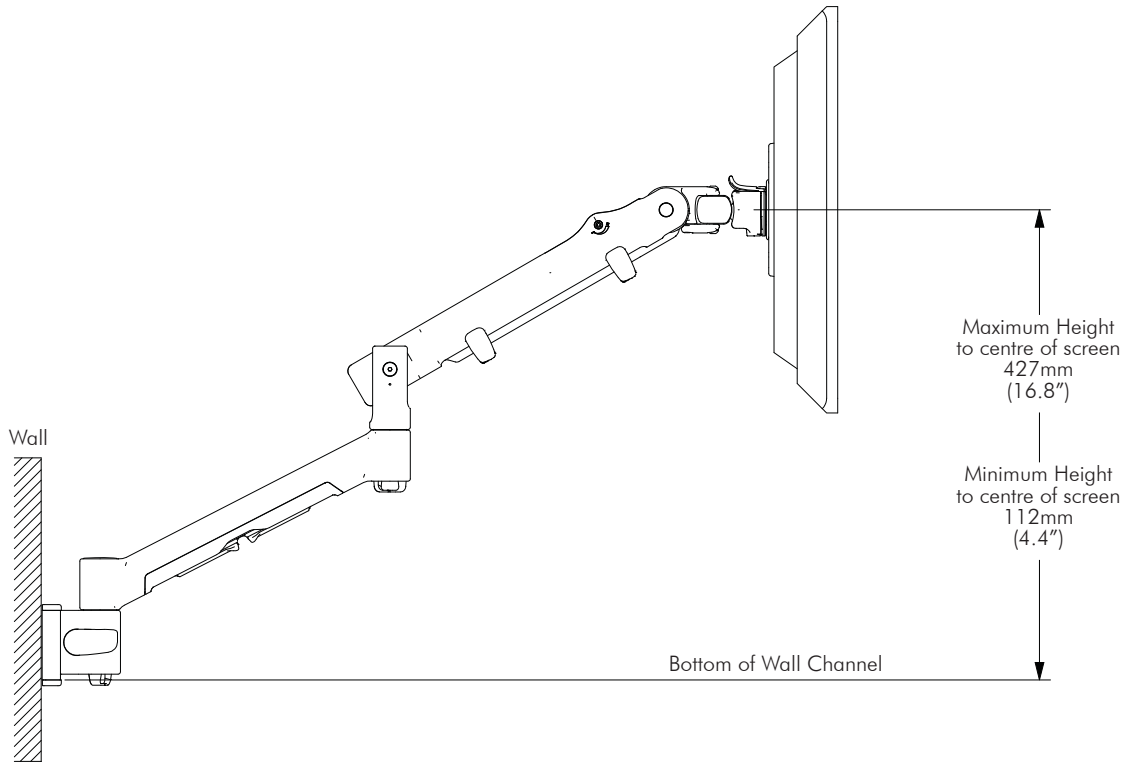
### Wall Channel



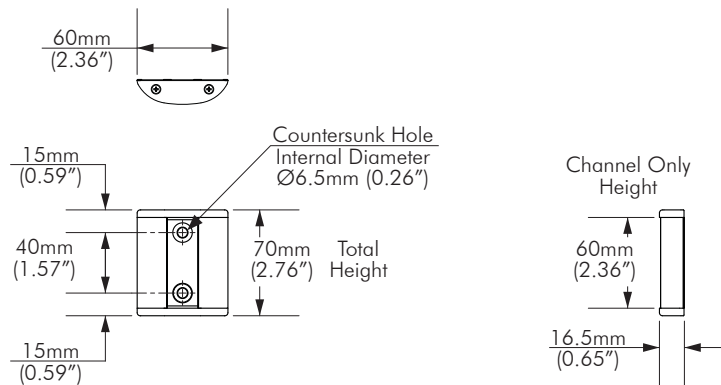
## Monitor Spring Arm | Range of movement - Arm Dimensions



## Side View



## Wall Channel Dimensions



## VESA Mounting Bracket

