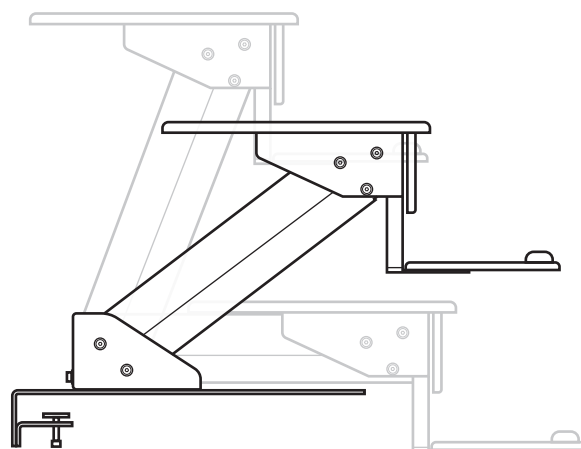
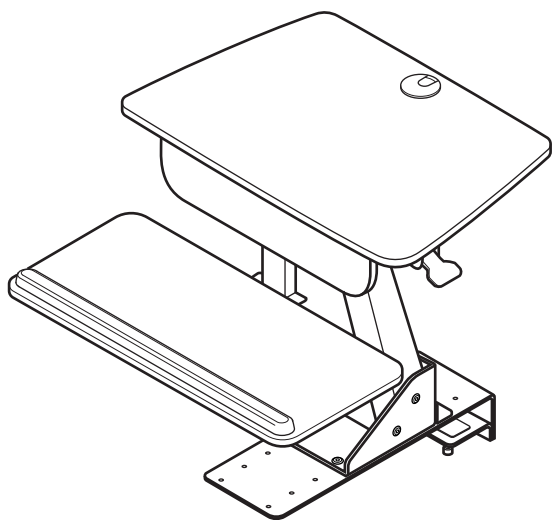


# Installation Instructions

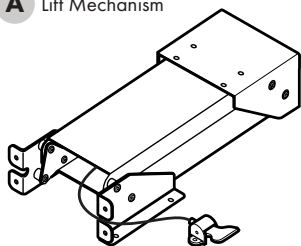
# Sit-to-Stand Workstation

## Desk Clamp

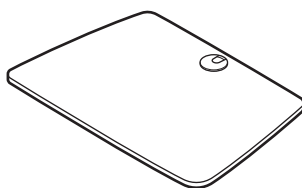


### Component Checklist

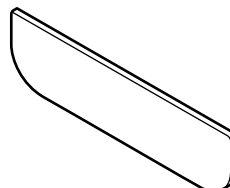
**A** Lift Mechanism



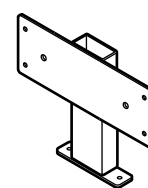
**B** Work Surface



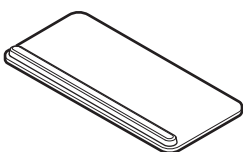
**C** Keyboard Panel



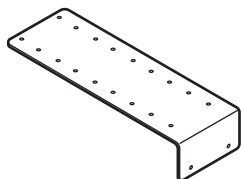
**D** Keyboard Bracket



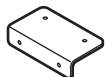
**E** Keyboard Tray



**F** Clamp Plate



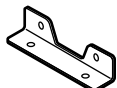
**G** Clamp Bracket



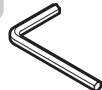

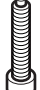



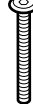
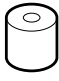
**H** Pressure Plate



**I** Support Bracket



### Hardware

<b>J</b>  Large Allen Key	<b>K</b>  Small Allen Key	<b>L</b>  Clamp Screw (x2)	<b>M</b>  M6X8 (x10)
<b>N</b>  M6X10 (x2)	<b>O</b>  M6X12 (x10)	<b>P</b>  M6X35 (x2)	<b>Q</b>  Spacer (x2)

### IMPORTANT INFORMATION

**! IMPORTANT - Install as per Installation Instructions**

! This product is compatible with Visidec™ Focus and SYSTEMA™ monitor mounts.

! This product supports a total maximum load of 28.6lbs (13Kg).

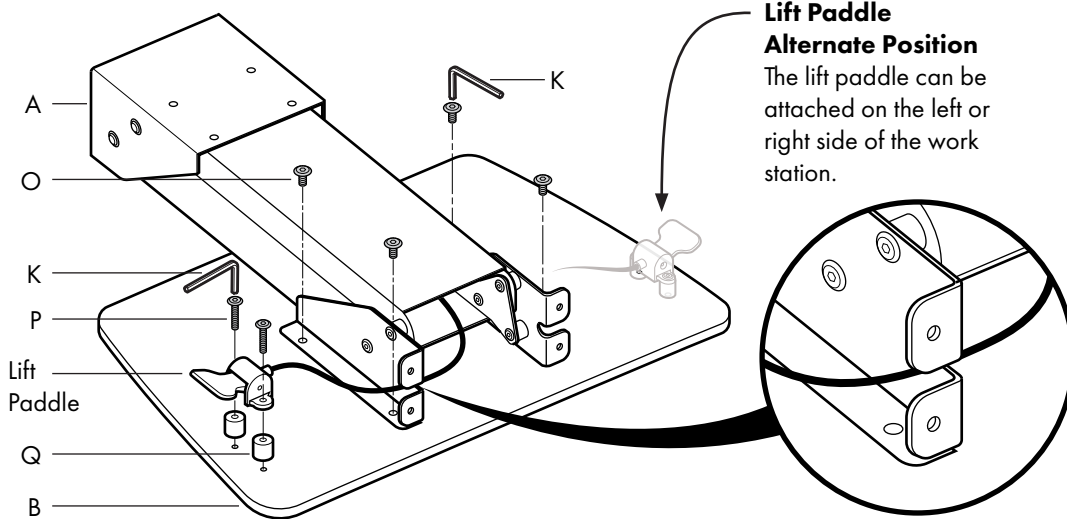
! The manufacturer accepts no responsibility for incorrect installation.

! Ensure any required electrical/data cables have sufficient length to accommodate the sit-to-stand workstation's movement.

### Step 1. Check components

Check that you have received all parts against the Component Checklist.

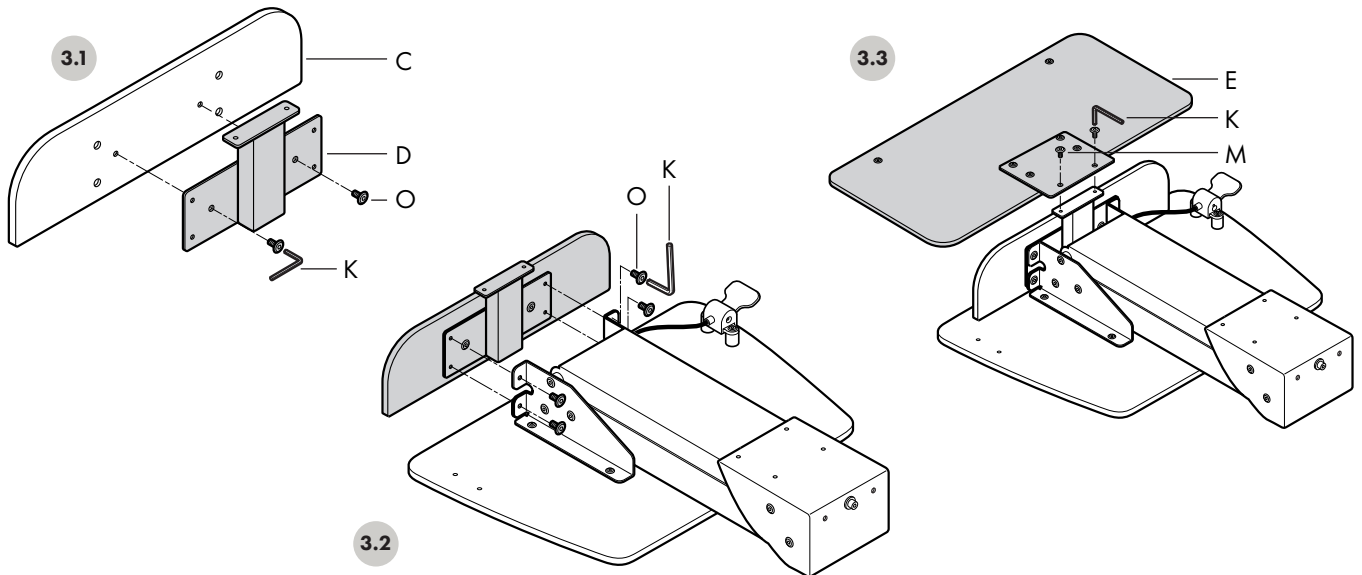
## Step 2. Attach lift mechanism to work surface



**Caution**  
Avoid pressing the lift paddle until Step 5.

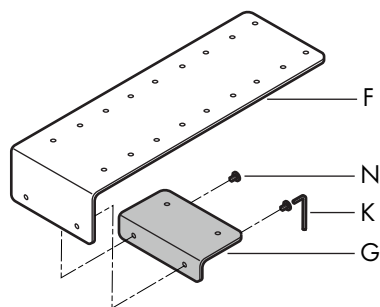
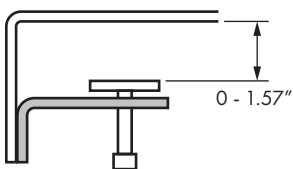
**Cable Routing**  
Route the lift paddle cable through the slot in the plates on the lift mechanism (A)

## Step 3. Attach keyboard bracket and tray

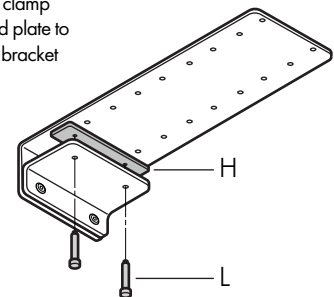


## Step 4. Assemble Clamp

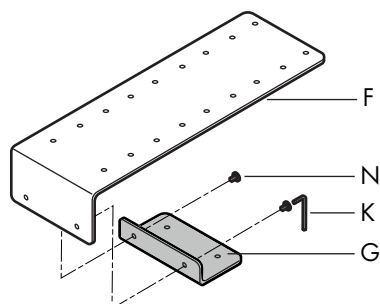
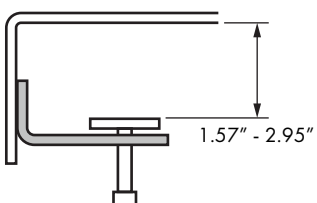
**4.1 Option 1**  
For desk thickness  
less than 1.57" (40mm)



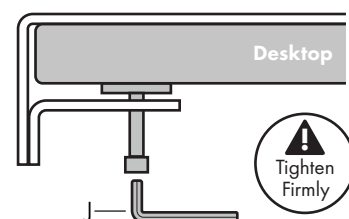
**4.2** Attach the clamp screws and plate to the clamp bracket



**4.1 Option 2**  
For desk thickness  
1.57" - 2.95" (40 - 75mm)



**4.3**  
Slide Clamp onto rear edge of desktop and tighten the **two** clamp screws **evenly**.



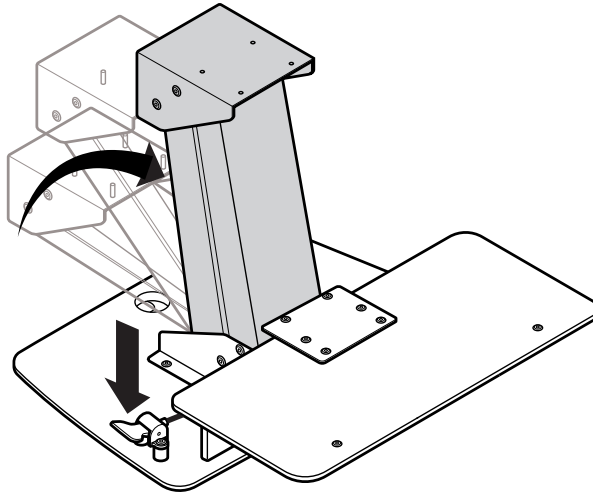
### Step 5. Raise lift mechanism

Depress the lift paddle to raise the lift mechanism.

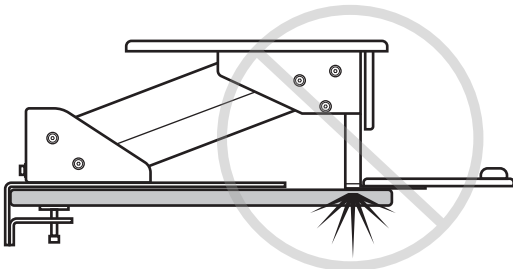


#### Caution

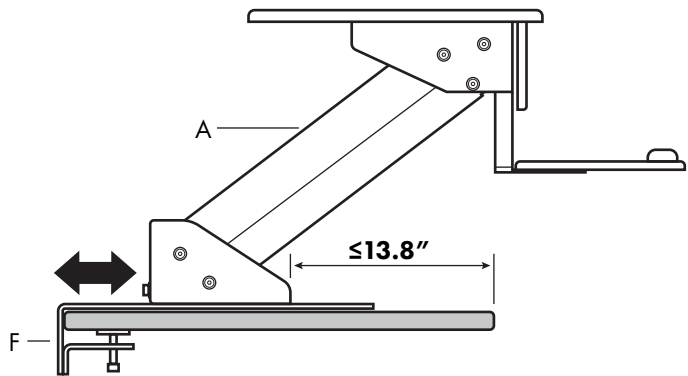
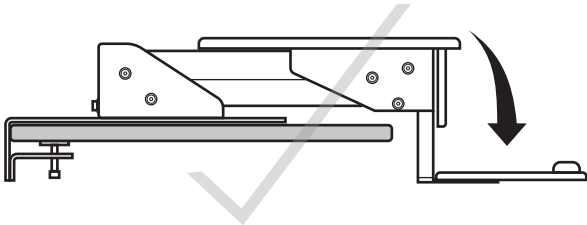
When pressing the paddle, the lift mechanism will rise. Keep clear as the arm rises.



### Step 6. Determine placement on desk

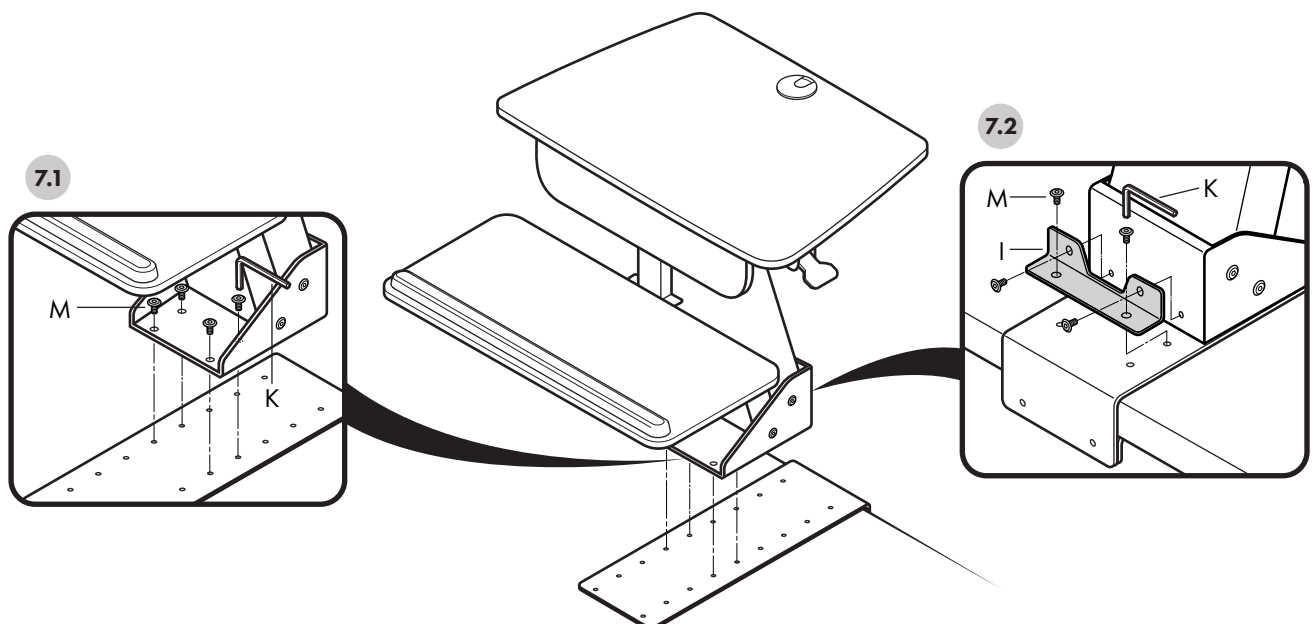


Keyboard tray must clear the front edge of the desktop when the workstation is lowered.

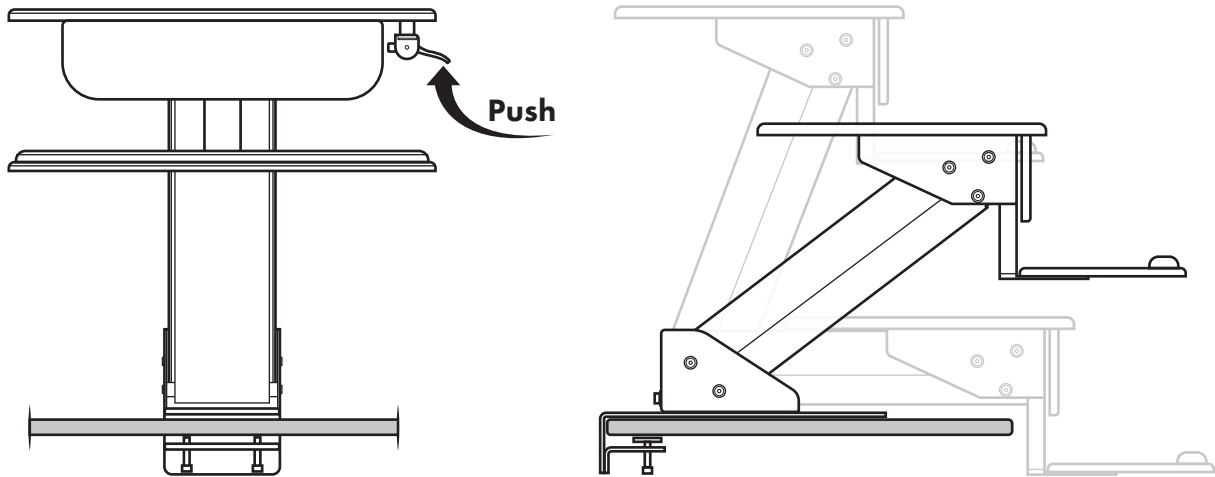


Adjust the position of the lift mechanism (A) on the clamp plate (F) until the measurement shown above is **less than or equal to 13.8"** (350mm).

### Step 7. Attach lift mechanism to clamp plate

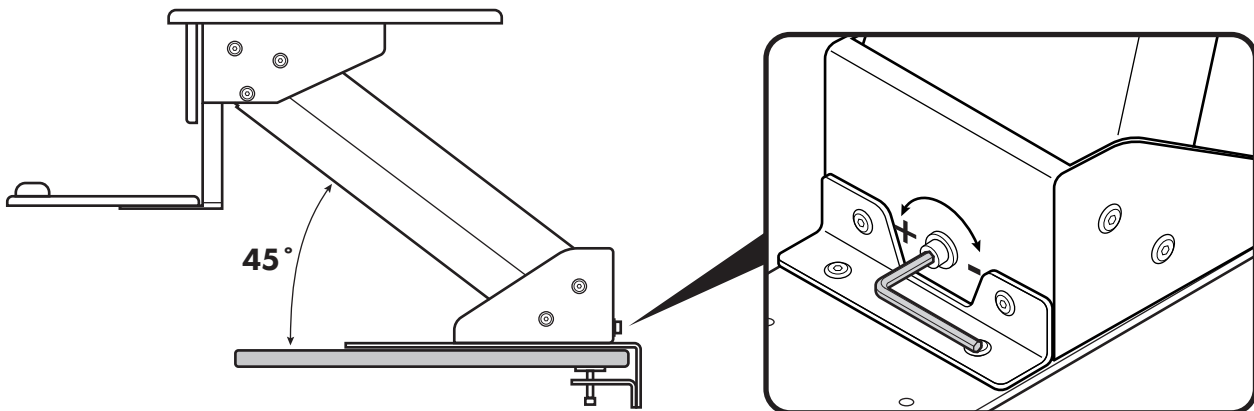


## Step 8. How to adjust from sitting to standing



While gripping onto the sides of the work surface, depress the lift paddle to adjust the height of the work station.

## Step 9. Adjust lift mechanism



- 9.1 Position the workstation at mid height**  
While gripping onto the sides of the work surface, depress the lift paddle and adjust the angle of the lift mechanism to 45° from the table.

- 9.2** Adjust the amount of lift assistance. The workstation should not fall when the lift paddle is depressed.

**Note:**  
For heavier weights turn the adjustment screw towards '+'  
For lighter weights turn the adjustment screw towards '-'

## Installation Complete

This workstation is compatible with accessories such as monitor mounts. For advice on positioning accessories on this workstation please refer to the Technical Specifications for this product, found on [atdec.com](http://atdec.com).

