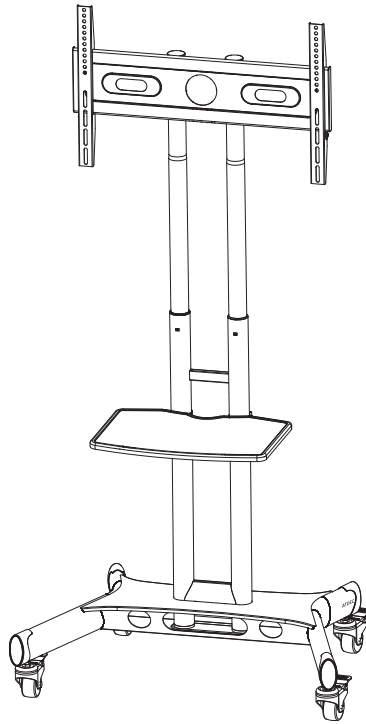
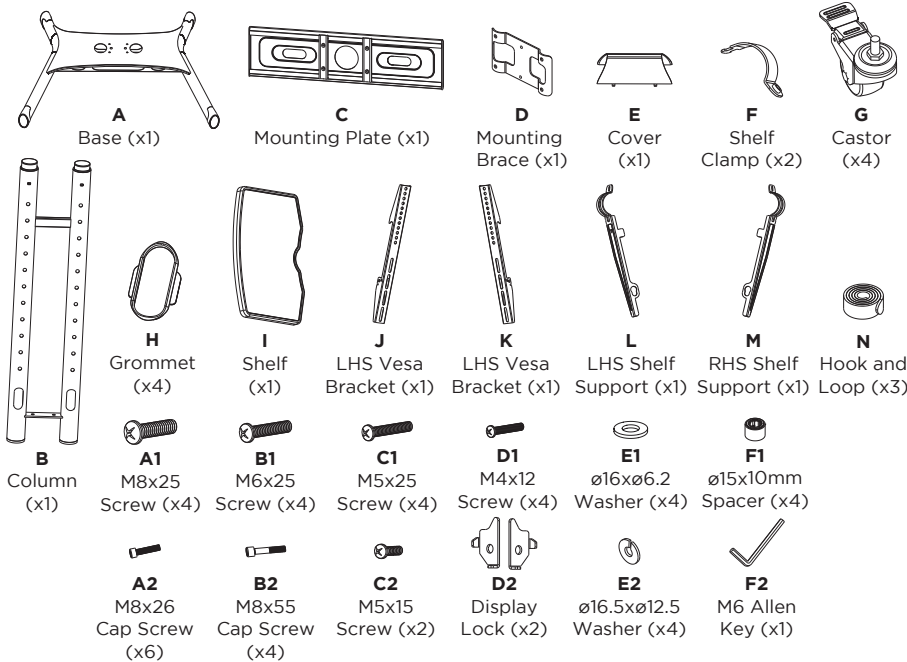


AV Cart 45



COMPONENT CHECKLIST



Floor 

REQUIRED TOOLS

- Phillips Head Screwdriver

CAPACITY

DISPLAY
0-45kg (0-100lb)
32"-65"

SHELF
0-4.5kg (0-10lb)

IMPORTANT INFORMATION

- ! **Please ensure this product is installed as per these installation instructions.**
- ! The manufacturer accepts no responsibility for incorrect installation.
- ! Failure to mount this product correctly may cause serious injury/death during or following installation.
- ! This product should only be installed by professional installers of good mechanical aptitude, who fully understand these instructions and the consequences of incorrect installation.
- ! Do not over tighten screws.
- ! Two person installation is recommended.
- ! Product not suitable for use outdoors.
- ! After installation is complete check to verify that TV Cart is secure and safe for use.
- ! Curved monitors, deep devices (such as all-in-one PCs), VESA mounted accessories (such as mini PC brackets and mounts), and offset VESA locations exert additional leverage that can exceed the capacity of the mount even though the monitor weight may be within the stated range. Please contact Atdec if you would like further information.
- ! **WARNING!** Death or serious injury may occur when children climb on audio and/or video equipment furniture. A remote control or toys placed on the cart may encourage a child to climb on the cart and as a result the cart may tip over on to the child.



WARNING!

- ! CART CAN TIP OVER RESULTING IN RISK OF INJURY!
- ! DO NOT ALLOW CHILDREN UNDER 16 TO PLAY WITH OR MOVE CART
- ! MOVE CART SLOWLY

ONLY ADULTS SHOULD MOVE THIS CART	DO NOT APPLY MOVING FORCE ON FRONT OR BACK	NEVER APPLY FORCE AT TOP	DO NOT PULL	APPLY FORCE ON NARROW SIDES PUSH NEAR MIDDLE	LOCK BRAKES WHEN STATIONARY	UNLOCK BRAKES BEFORE MOVING

1. Install the castors

1.1

1.2

2. Attach column to the base

2.1

Note: Make sure cable management windows are facing the rear of base.

2.2

2.3

⚠ Caution: Ensure screws are secured firmly.

2.4

3. Set column height

3.1 Use thumb or finger to depress the spring button located in the cable window on the lower right column. At the same time use other hand to twist then pull upper column upward until your desired height. Twist motion is to ensure spring button doesn't engage unintentionally.

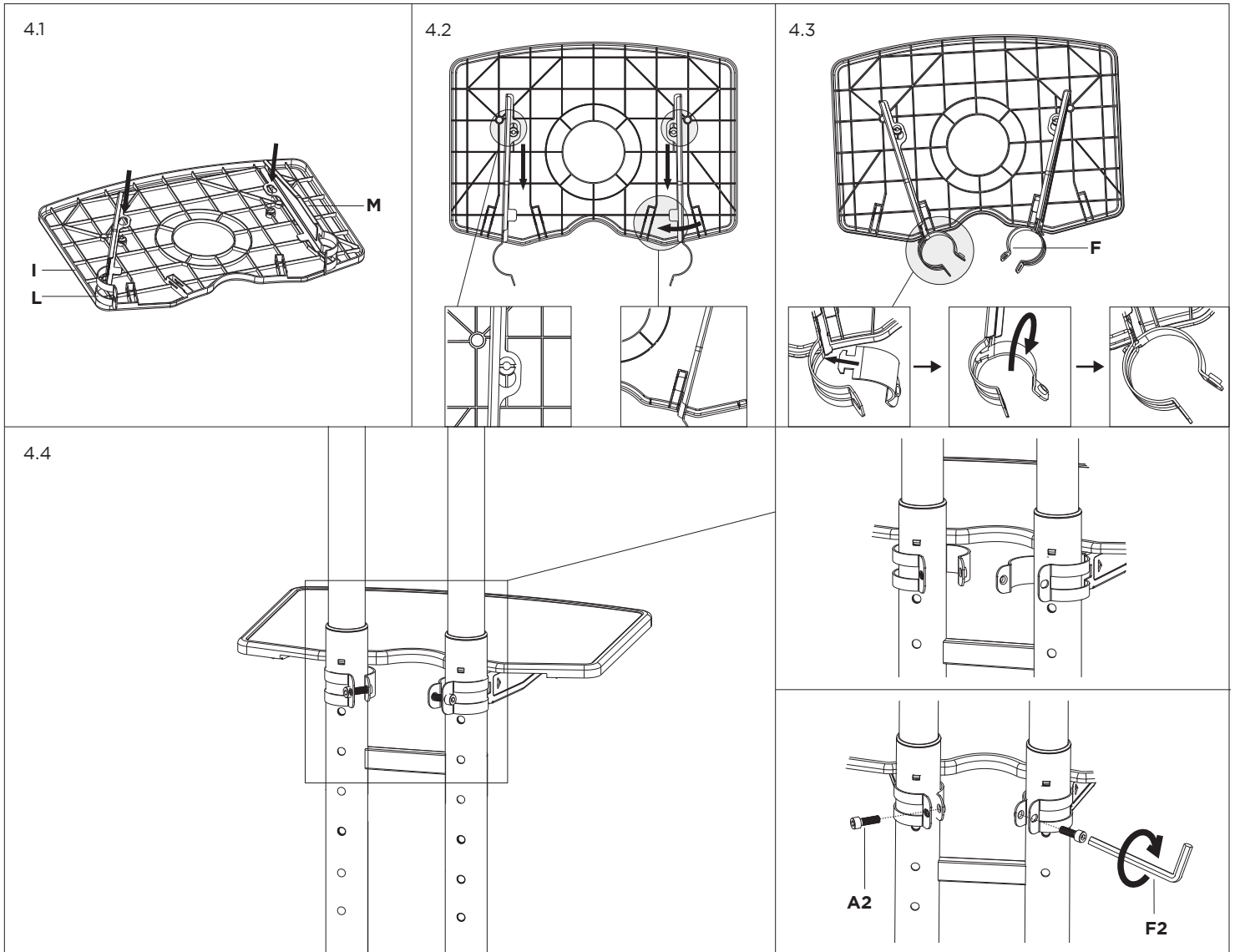
Twist upper column back toward the plunger holes and engage the spring button into the plunger hole. Ensure spring button pops out as shown in Fig-2.

3.2 Repeat step 1 on left column.

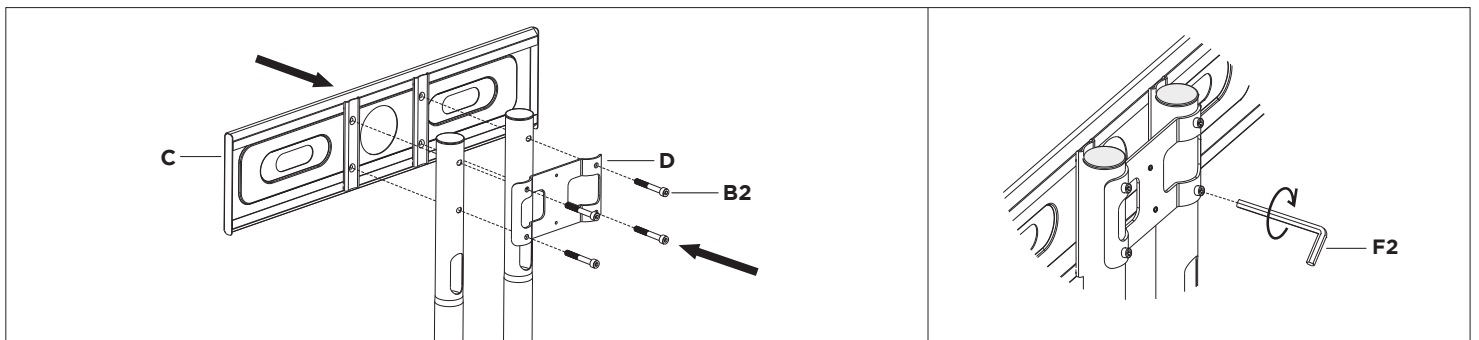
Fig-1

Fig-2

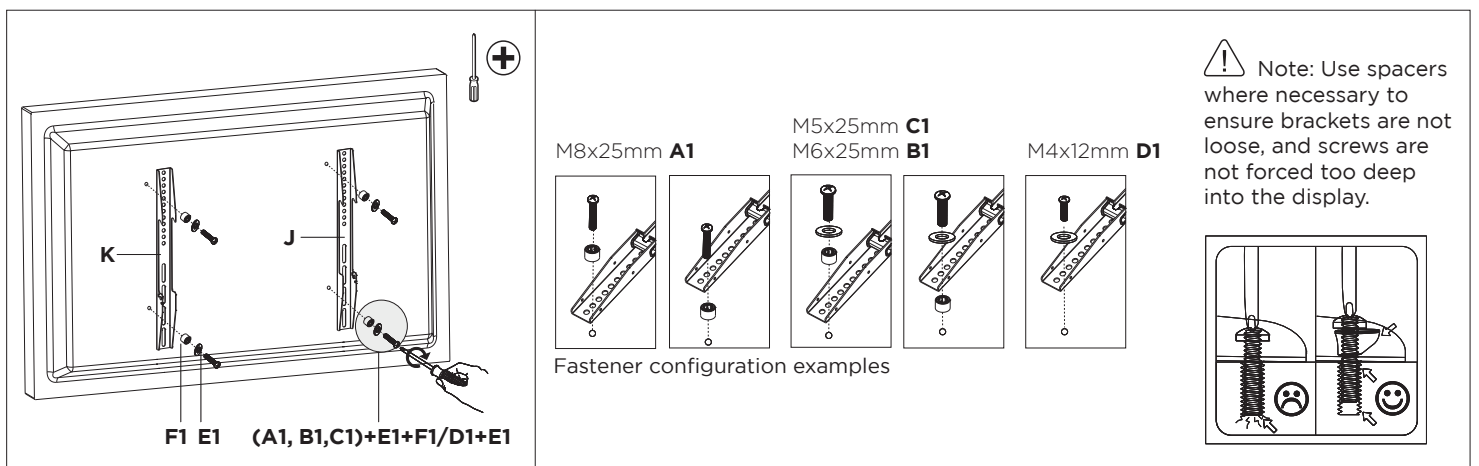
4. Assemble and install shelf



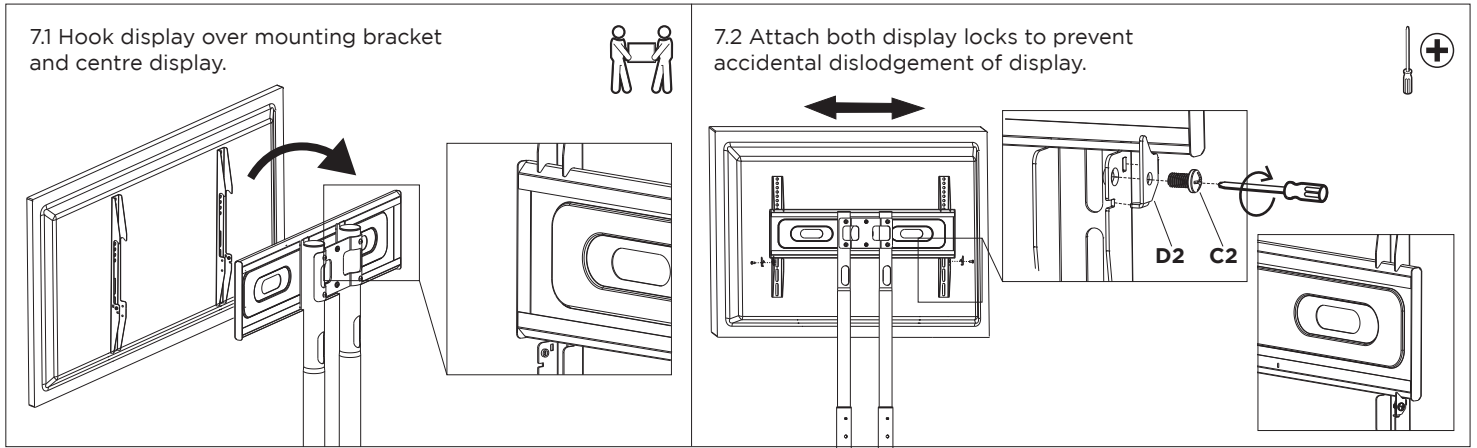
5. Attach mounting plate



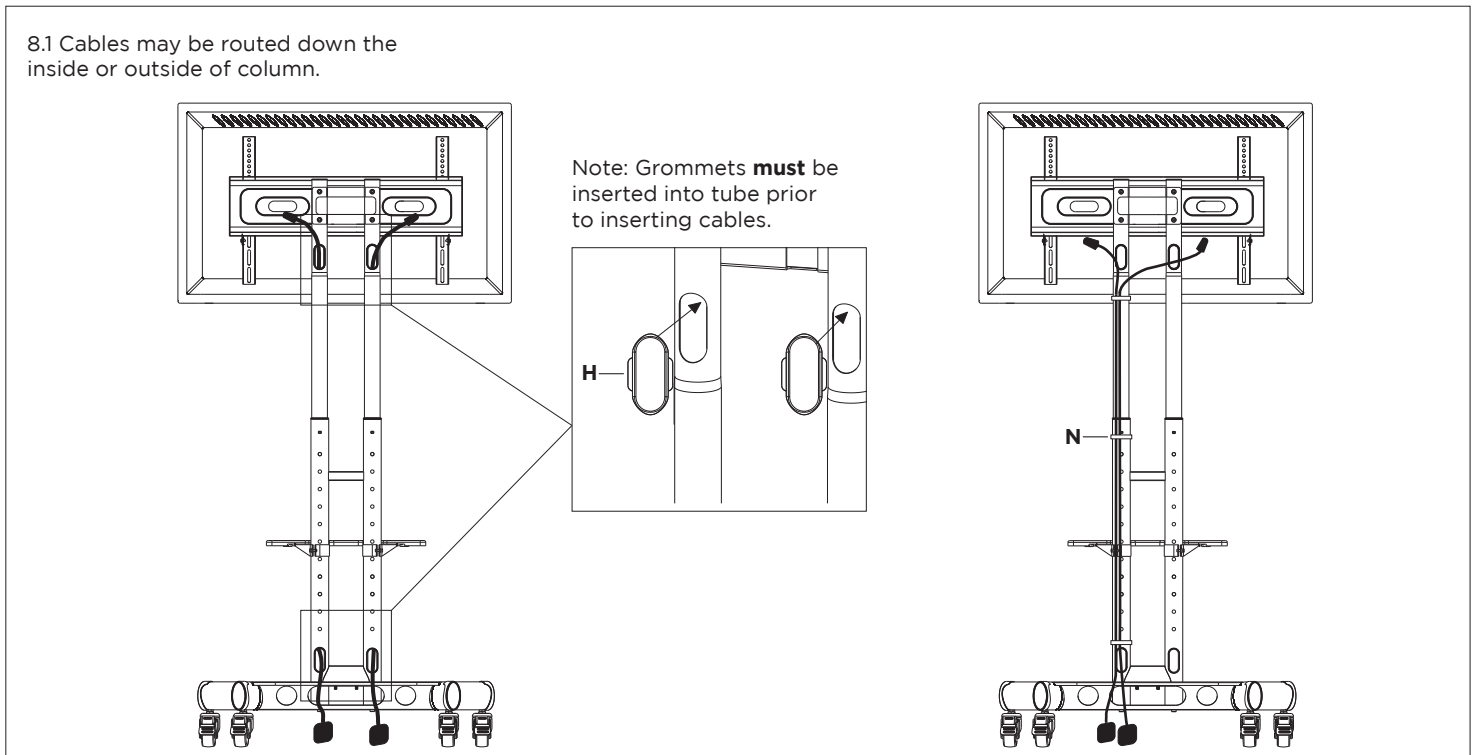
6. Attach VESA brackets to display



7. Mount display



8. Cable routing options



9. Adjust display height

