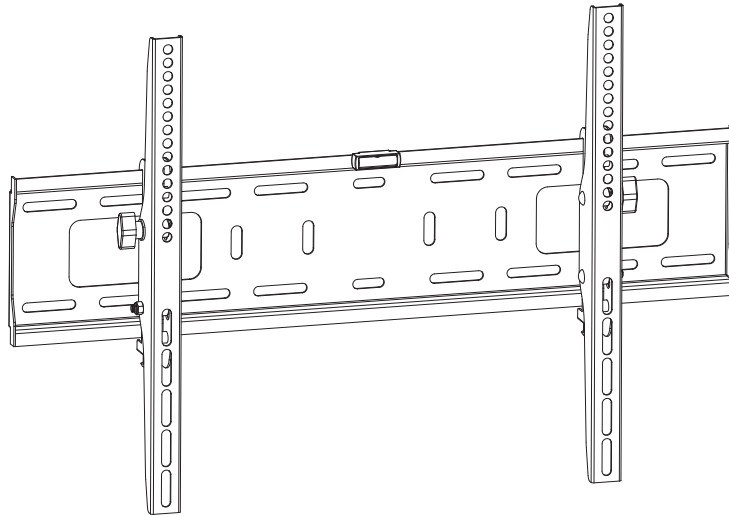
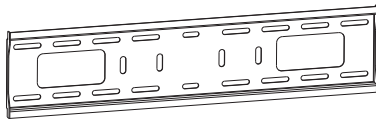


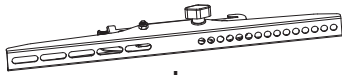
Tilt Wall Mount 5060



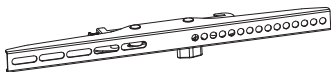
COMPONENT CHECKLIST



H
Wall Plate



I
Display Bracket (left)



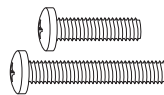
J
Display Bracket (right)



A
M5x14 (x4)
Screw



B
M6x14 (x4)
M6x30 (x4)
Screw



C
M8x30 (x4)
M8x50 (x4)
Screw



D
Multi
Washer
(x4)



E
Short
Spacer
(x8)



F
Long
Spacer
(x8)



G
Spirit
Level
(x1)



REQUIRED TOOLS

- Phillips head screwdriver
- Power drill
- Suitable drill bit
- Driver bit for selected wall fasteners
- Stud finder
- Spirit level

WEIGHT RANGE

0 - 50kg
(0 - 110lb)

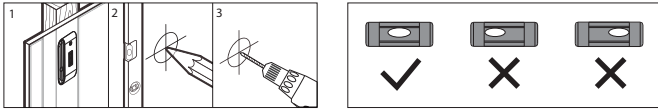
NOTE:

- ! Wall Plate Mounting Fasteners are **NOT** supplied with Wall Mounts. Professional installer to ensure correct Mounting Fastener type, location & quantity to suit structure where Wall Mount is installed.
- ! **ALWAYS** use a washer between the chosen fastener and the wall plate.
- ! Mounting fasteners to be used as per manufacturers instructions, including minimum engagement to achieve necessary performance.

IMPORTANT INFORMATION

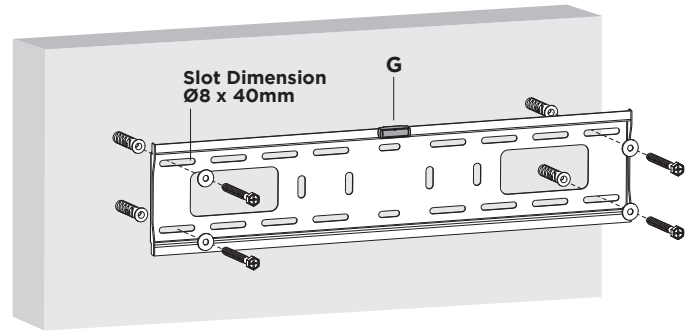
- ! **Please ensure this product is installed as per these installation instructions.**
- ! The manufacturer accepts no responsibility for incorrect installation.
- ! Failure to mount this product correctly may cause serious injury/death during or following installation.
- ! This product is not suitable for outdoor use.
- ! Do not use this product for mobile applications.
- ! This product supports a maximum load of 50kg (110lb).
- ! Wall Plate only achieves maximum weight rating when appropriately fastened to a wall of adequate structural capacity.
- ! Professional installer to ensure adequate structural capacity of wall (including appropriate safety factor) to support total weight of all equipment being mounted.
- ! Drilling into electrical wires can cause death - use appropriate equipment and caution when drilling holes in walls to avoid electrical cables, water pipes and gas pipes. Do not drill into structures unless you have established it's safe to do so.
- ! Suits displays with mounting hole patterns from 75mm to 620mm wide by 70mm to 405mm high.

1. Mount the Wall Plate to the Wall



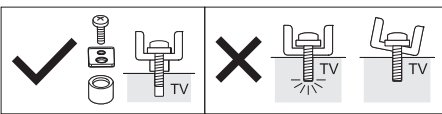
NOTE:

- Choice and supply of appropriate wall plate fasteners is the responsibility of the installer.
- Consult a preferred fastener supplier or a structural engineer to select fasteners which are most appropriate for the weight of the display and wall construction method.
- Wall plate must be level. Verify using a quality spirit level tool or the included spirit level **G**.
- On a Stud Wall or Drywall use a good quality Stud Finder to position mounting fasteners in the centre of studs.
- On a Masonry Wall avoid positioning Wall Plate mounting fasteners in a mortar joint.



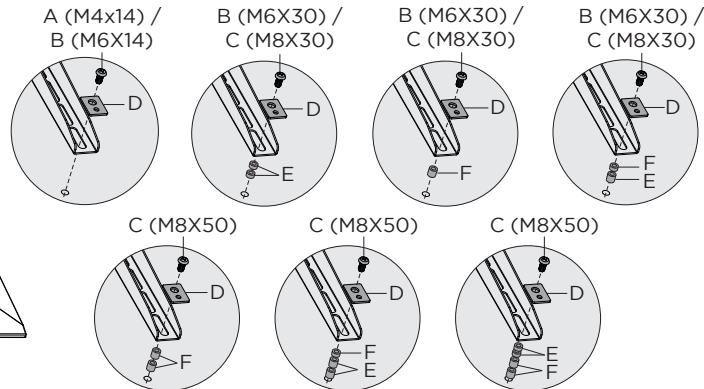
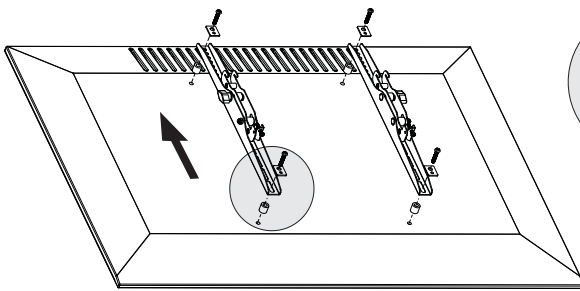
*Fasteners shown are not included

2. Attach the Display Brackets to the Display



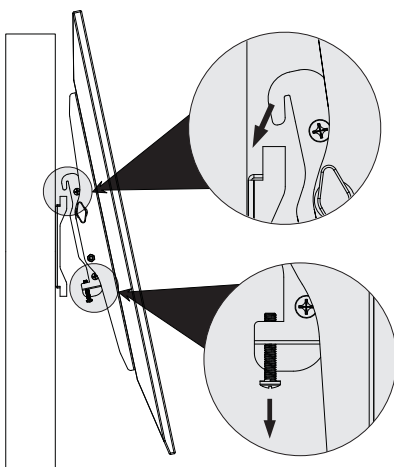
NOTE:

- Always use multi-washers **D**.
- Use the shortest combination of spacers (if necessary) ensuring the display is not loose and screws are not forced too deep into the display.



3. Hook the Display onto the Wall Plate

- 3.1.** Angle the display and hook the Display Brackets over the top of the Wall Plate. This should be completed by two people.

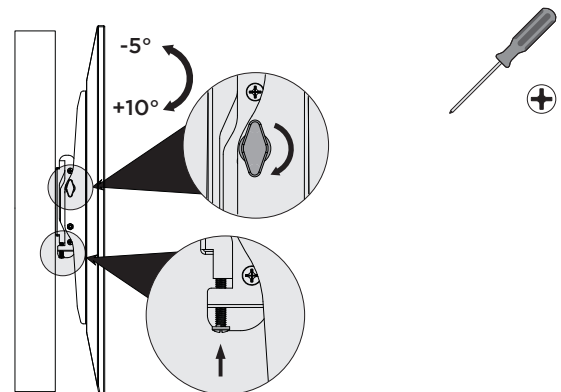


NOTE:

Ensure security screw is loosened before attempting to mount display.

4. Secure the Display and Lock Tilt Angle

- 4.1.** Use a Phillips head screwdriver to tighten the security screw on each Display Bracket, ensuring the screw sits to the rear of the Wall Plate and the display cannot be lifted up and off the Wall Plate.
- 4.2.** Tilt the display to the desired viewing angle and tighten the screw knob to lock the angle in place.



NOTE:

Support display whilst tightening security screws and adjusting tilt.