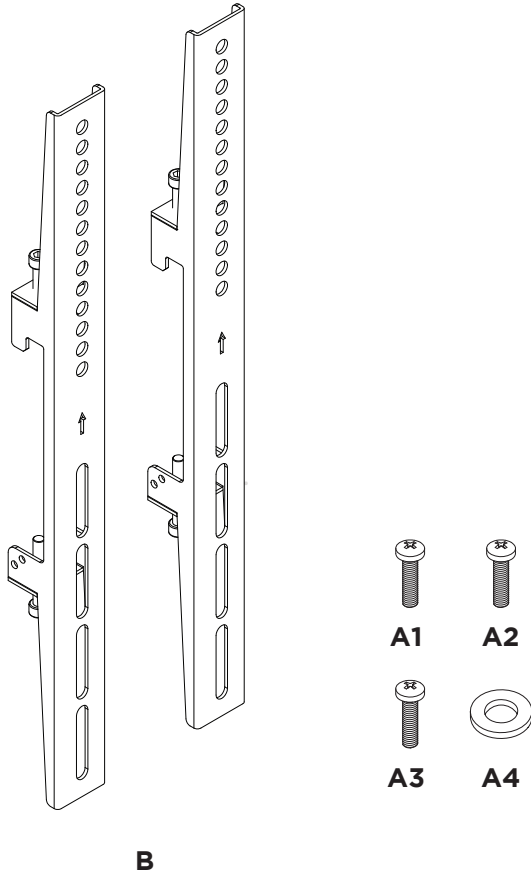


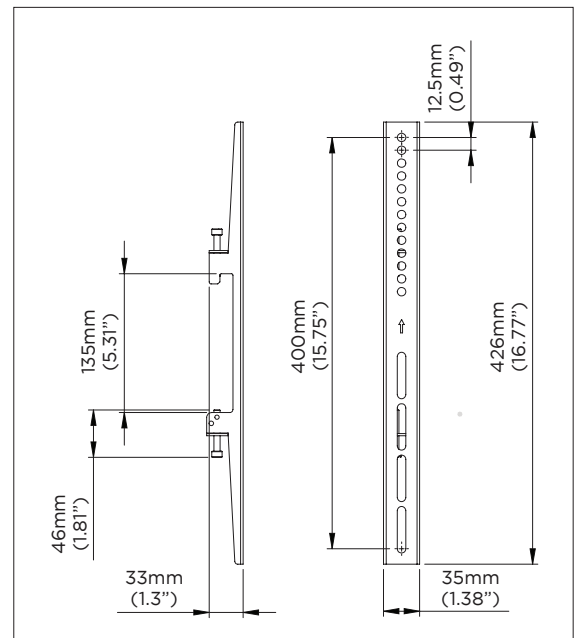
VESA 400 Fixed Brackets



COMPONENT CHECKLIST

| Item | Name | QTY |
|-----------|-----------------|-----|
| A1 | M5 x 15mm Screw | 4 |
| A2 | M6 x 15mm Screw | 4 |
| A3 | M8 x 15mm Screw | 4 |
| A4 | M6 Washer | 4 |
| B | Fixed Bracket | 2 |

PRODUCT DIMENSIONS



INSTALLATION INSTRUCTION

