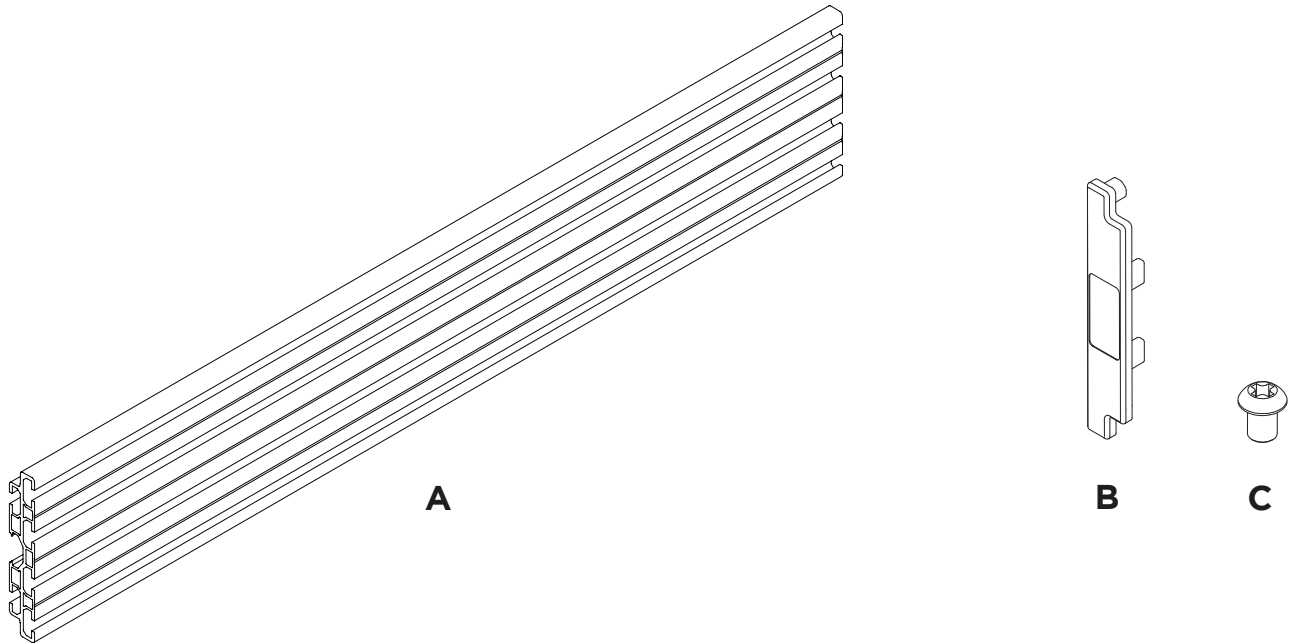


125 Rail



COMPONENT CHECKLIST

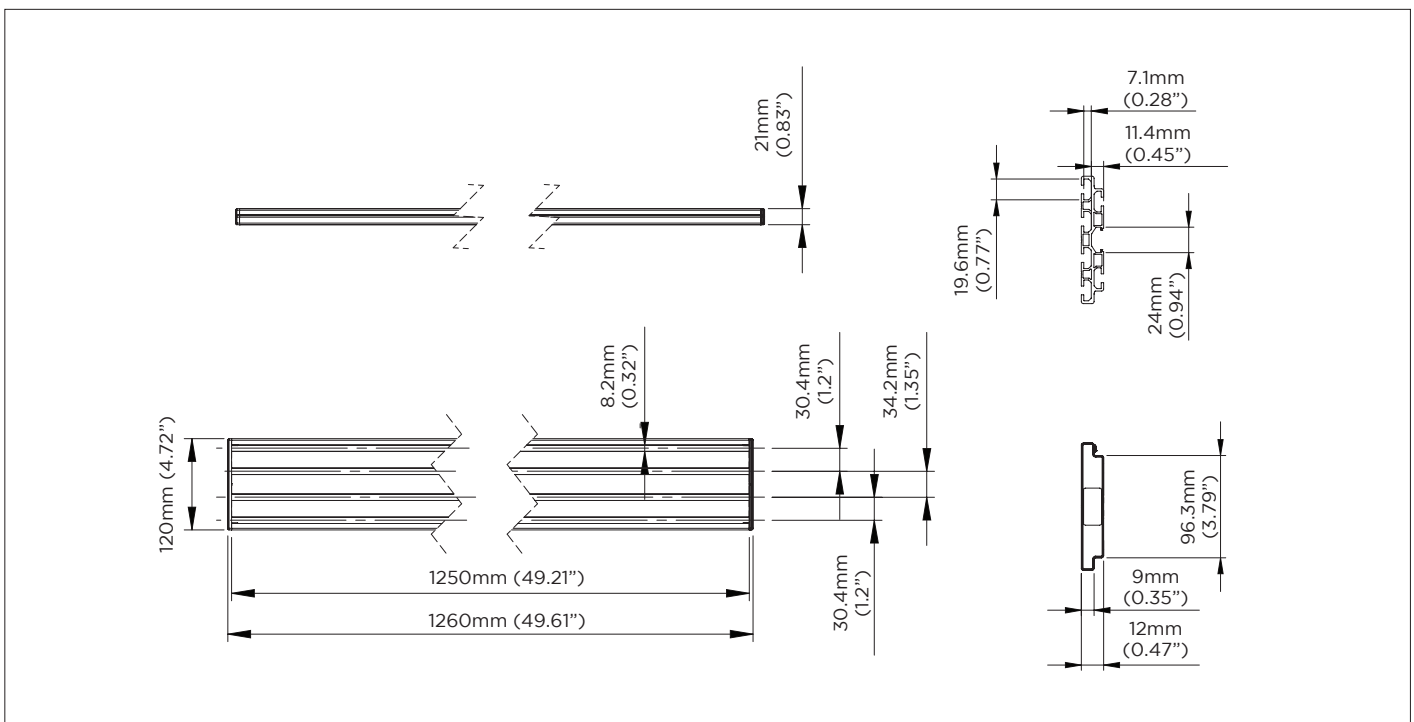
Item	Name	QTY
A	Rail, 1250mm (49.21")	1
B	End Cap	2
C	M5 x 8mm Screw	2

WEIGHT RANGE



0 - 100kg
(0 - 220lbs)
[50kg/110lbs in single-pole ceiling solutions]

PRODUCT DIMENSIONS



INSTALLATION SAFETY INSTRUCTIONS



CAUTION: THIS MOUNT IS INTENDED FOR USE ONLY UP TO THE MAXIMUM WEIGHTS INDICATED. USE WITH DISPLAYS HEAVIER THAN THE MAXIMUM INDICATED MAY RESULT IN INSTABILITY OR FAILURE CAUSING POSSIBLE INJURY, DEATH OR DAMAGE TO EQUIPMENT.

Do not attempt to install this product until all instructions and warnings have been read and properly understood. If you have any questions regarding any of the instructions or warnings, please contact Atdec customer service.

Please keep this information for future reference.

Please check carefully to make sure there are no missing or defective parts - defective parts must never be used. Never operate this mounting system if it is damaged. Return the mounting system to a service centre for examination and repair.

Atdec, its distributors and dealers are not liable or responsible for damage or injury caused by improper installation, improper use or failure to observe these safety instructions. Use this mounting system only for its intended use as described in these instructions. Do not use attachments not recommended by the manufacturer.

In such cases, all guarantees will expire.

GENERAL

This product should only be installed by someone of good mechanical aptitude, who has experience with basic building construction, and fully understands these instructions. Atdec recommends that a professional AV installer or other suitably qualified person install this product. Great care must always be taken during installation as most AV equipment is of a fragile nature, possibly heavy and easily damaged if dropped. Always use an assistant or mechanical lifting device to safely lift and position equipment.

If you do not fully understand the instructions or are not sure how to install this product safely, then please consult a professional for advice and/or to install this product for you. Failure to mount this product correctly may cause serious injury or death both during installation and at any time thereafter.

Do not mount any AV equipment that exceeds the specific weight limit of the product you are installing.

PRODUCT LOCATION

Please pay careful attention to where this product is located. Check load capacity of wall prior to installation as some mounting surfaces (including walls, ceilings, horizontal surfaces) are not suitable for installation. Failure to provide adequate structural strength for this component can result in serious personal injury or damage to equipment! It is the installer's responsibility to make sure the structure to which this component is attached can support five times the combined weight of all equipment. Reinforce the structure as required before installing the component. Installing on drywall boards alone will not support the weight of most AV equipment. If you install this product on drywall it must be securely fixed to a wooden stud, concrete block or other permanent structure behind the drywall board.

Designed for indoor use, this mount is suitable for public or home installation. If located in a public or frequently populated area ensure that the product is out of the immediate reach of people. If any AV equipment is to be suspended over the likely path or location of people then great care should be taken to secure all parts of the installation from falling.

When drilling holes in walls it is essential to avoid contact with electrical cables and water or gas pipes contained within. Use of a good quality live wire detector and hidden object locator is therefore recommended. Only drill into structures when you are sure it is safe to do so.

FIXING HARDWARE

The installer must be satisfied that any supplied fixing hardware is suitable for each specific installation. If any fixing screws or included hardware are deemed not sufficient for a safe installation then please consult a professional or your local hardware store.

It is highly recommended that all wall fixing screws be used where supplied and that the purpose of all other fixing hardware is fully understood. In some cases more AV equipment fixing hardware will be supplied to accommodate different models of equipment and set up configurations.

HAZARD LIMITATION

When routing cables take advantage of any built in cable management features that the product might provide and ensure that all cables are tidy and secure. Check to see that any moving aspect of product can do so unhindered by any cabling. Some products have moving parts and the potential to cause injury through the crushing or trapping of fingers or other body parts.

Particular attention to the nature of moving parts is required especially when assembling, installing and adjusting during set up. Immediately after installations double-check that the work done is safe and secure. Double-check all necessary fixings are present and are of ample tightness.

Tighten screws so adaptor brackets are firmly attached. Do not tighten with excessive force. Overtightening can cause stress damage to screws, greatly reducing their holding power and possibly causing screw heads to become detached. Tighten to 4.5N/m or 40 in-lb maximum torque.

Correct length screws must be used. If screws don't get three complete turns in the screen inserts or if screws bottom out and bracket is still not tightly secured, damage may occur to screen or product may fail.

It is recommended that periodic inspections of the product and its fixing points are made to ensure that safety is maintained. If in doubt consult a professional AV installer or other suitably qualified person.

INSTALLATION INSTRUCTION

