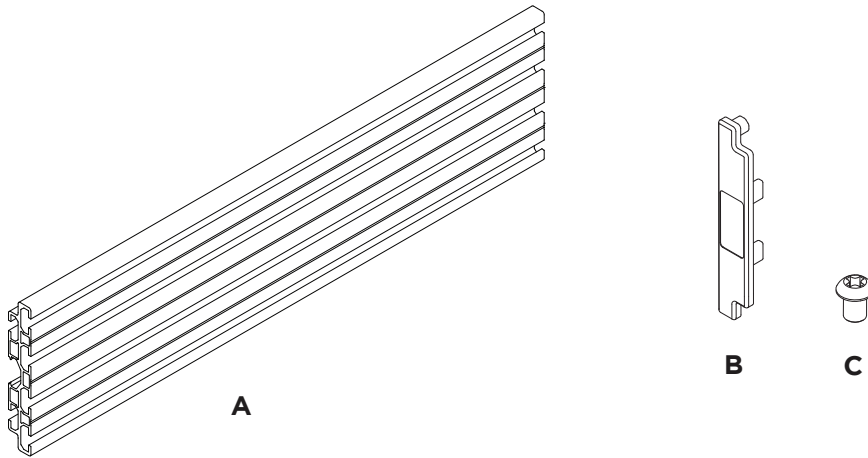


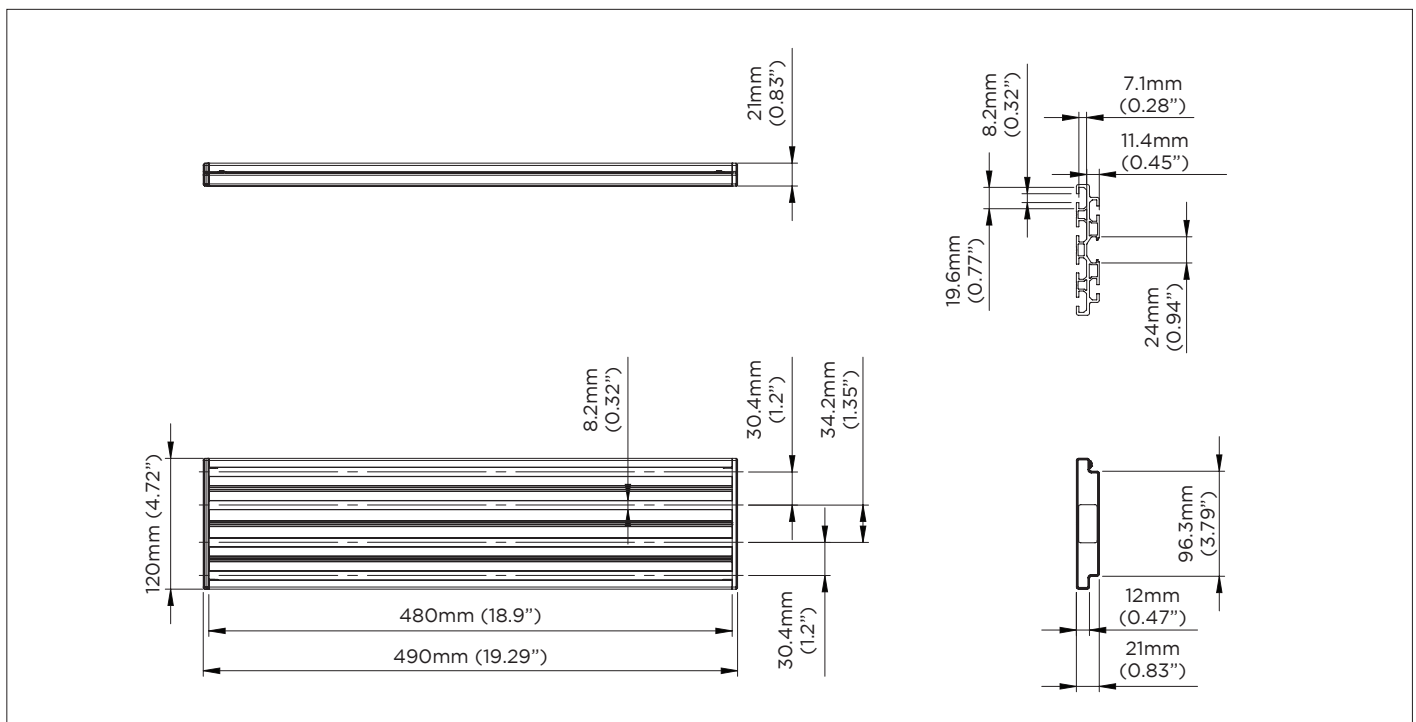
## 48 Rail



### COMPONENT CHECKLIST

Item	Name	QTY
A	Rail, 480mm (18.90")	1
B	End Cap	2
C	M5 x 8mm Screw	2

### PRODUCT DIMENSIONS



# INSTALLATION INSTRUCTION

