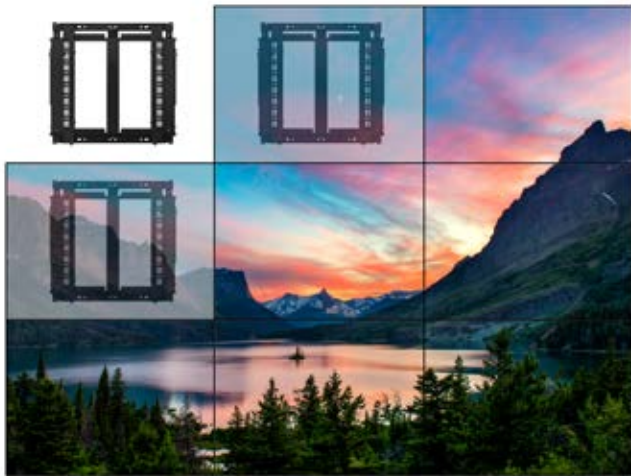


## ADM-VWPS

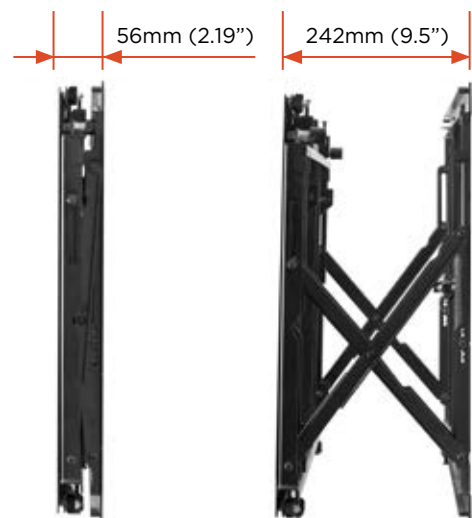
Ultra-slim pop-out  
video wall mount

Designed to make video wall installations as quick and simple as possible, this modular video wall mount can be used to create unlimited video wall configuration in both landscape and portrait format. The ADM-VWPS has an ultra-low profile for mounting into walls with a shallow recess or when space in front of the wall is minimal. The pop-out system enables quick and easy access to the rear of mounted screens for servicing.



- › Ideal video wall mount for recessed walls
- › Ultra-slim design only 56mm from wall
- › Supports screens up to 50kg with VESA up to 400mm (or 600mm using included extensions)
- › Can be mounted directly to wall, rail or pole; keyhole mounting for quick installation
- › Landscape or portrait display installation
- › Modular design for infinite configurations

- › Push to open/close spring-assisted design for quick and easy service access with locking screw
- › Simple “hook-on” display attachment
- › Tool-less micro adjustments at 4 corners for seamless display alignment
- › 30mm of vertical and 30mm of lateral display position adjustment
- › Safety screws help prevent unauthorised removal of screens
- › 10 year warranty



ADM-VWPS is part of the Atdec modular digital signage family.

Learn more about infinite mounting possibilities for digital signage installations at [atdec.com.au/digital-signage](https://atdec.com.au/digital-signage)

# Pop-Out Slim Video Wall Mount

**Product code:** ADM-VWPS

**Max load:** 50kg (110lbs)

**Material:** steel

**Colour:** black

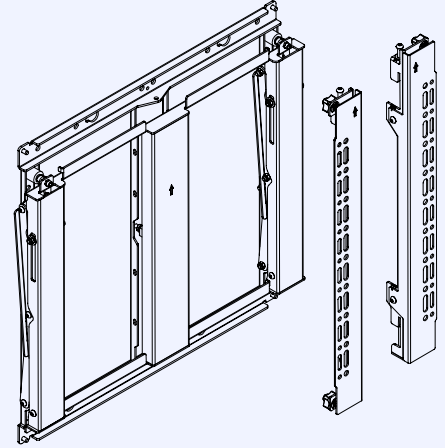
**Warranty:** 10 years

**Packaging dimensions:**

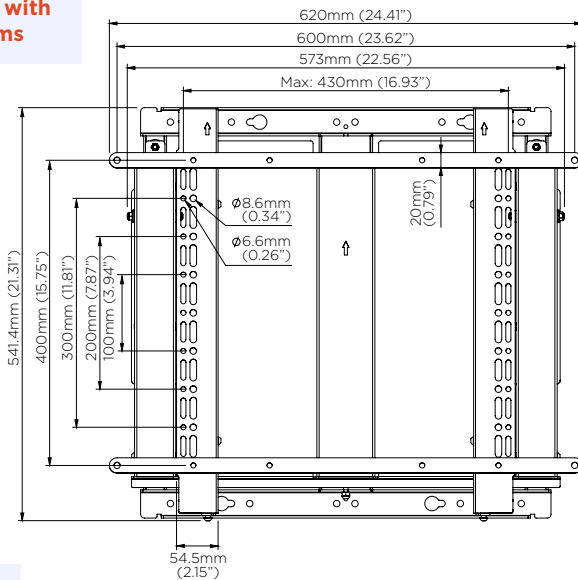
62cm (L) x 62cm (W) x 11cm (H) ( 24.41" x 24.41" x 4.33")

Ship weight: 13.9kg (30.64lbs)

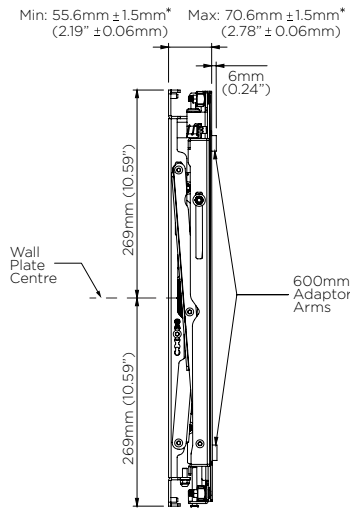
UPC code: 881493011120



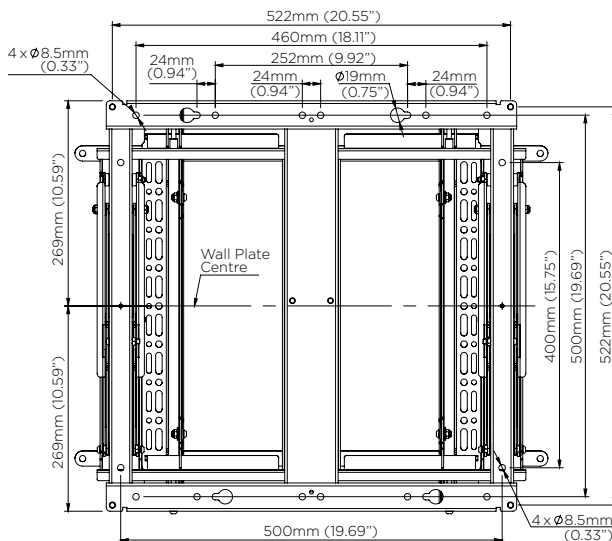
**Front View with adaptor arms**



**Side View Closed**



**Rear View**



**Side View Extended**

