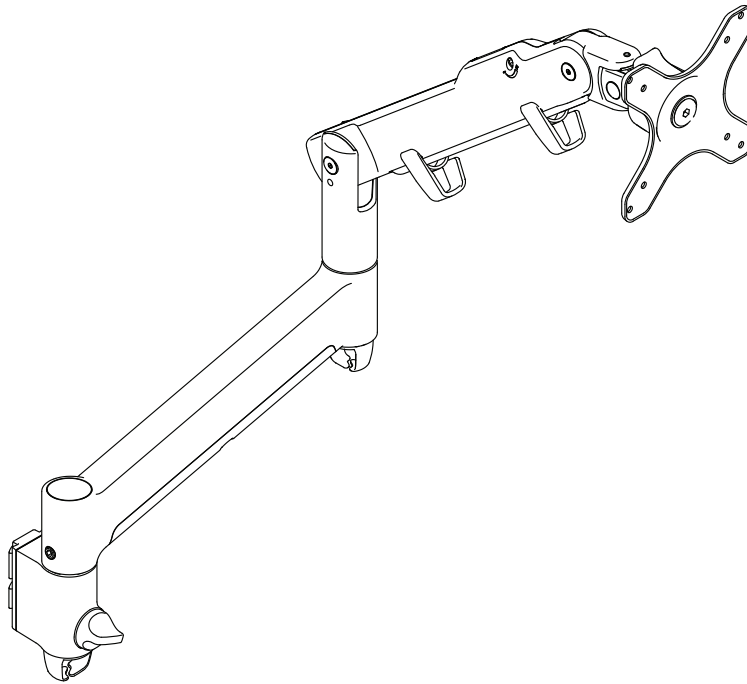
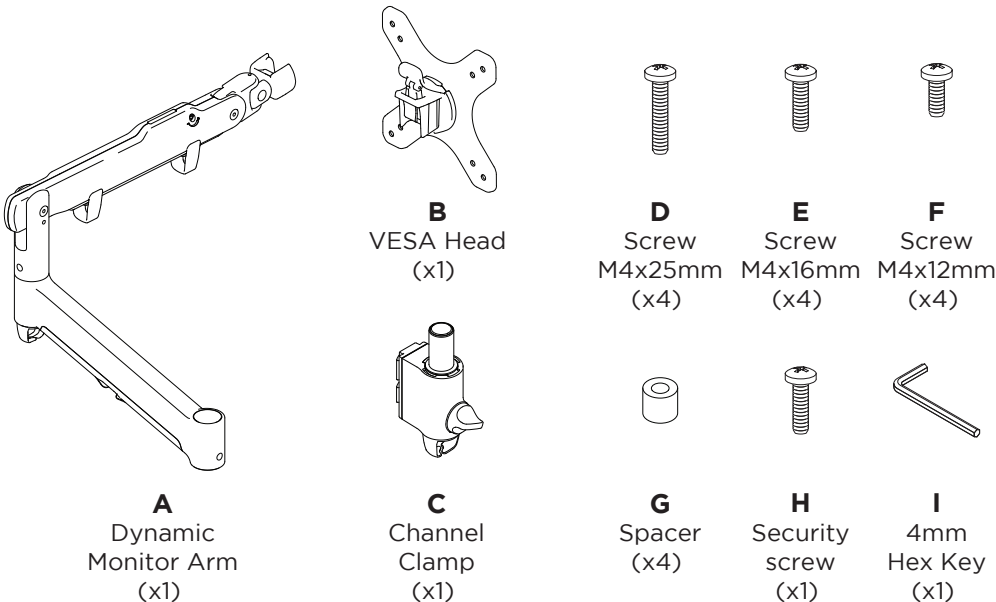


Dynamic Arm with Clamp



COMPONENT CHECKLIST



Desk

REQUIRED TOOLS

- Phillips Head Screwdriver

WEIGHT RANGE

Flat Monitors

0 - 9kg
(0 - 20lbs)

Curved Monitors

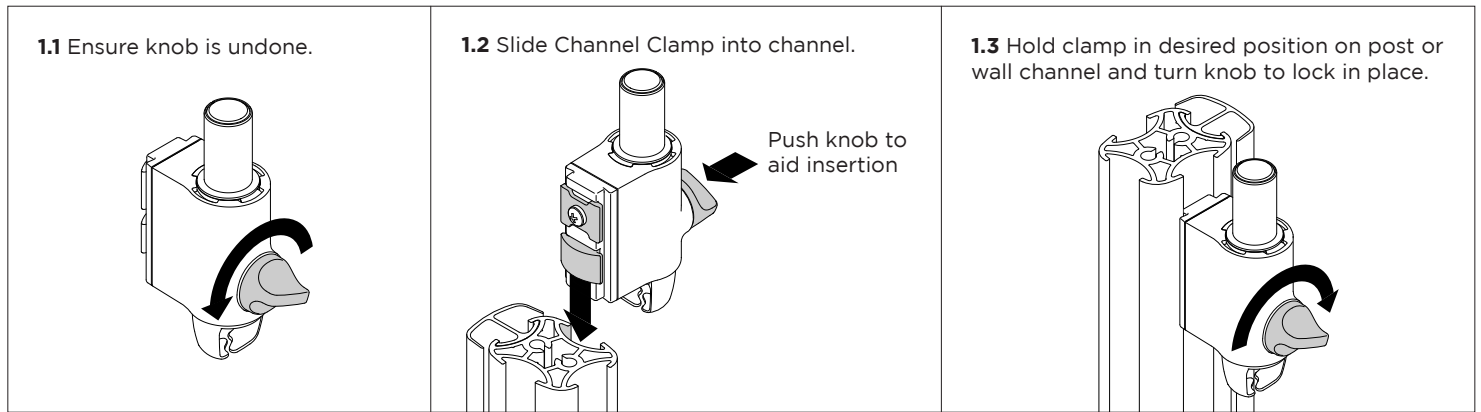
0 - 6kg
(0 - 13.5lbs)

Monitor weight should be within the weight range of all modular elements that make up the complete monitor mounting solution.

IMPORTANT INFORMATION

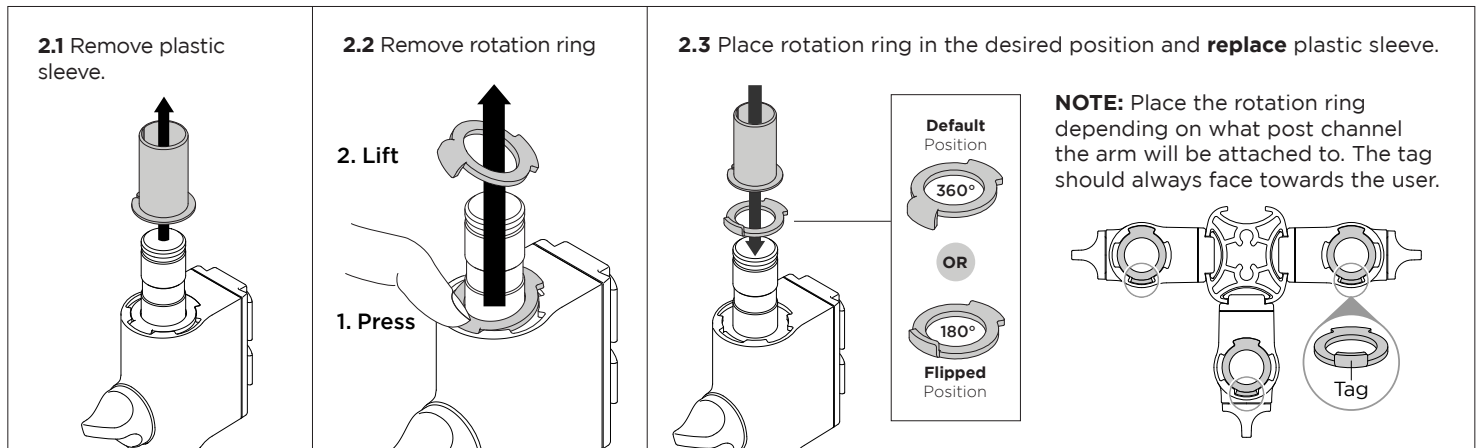
- ! Please ensure this product is installed as per these installation instructions.
- ! Do not remove/ throw away the plastic cap on channel clamp.
- ! Please ensure this product is installed as per these installation instructions.
- ! This product is compatible with Atdec AWM Series products.
- ! The Dynamic Arm with Channel Clamp (AWM-ADC) is for installation on AWM Posts or Wall Channels.
- ! The manufacturer accepts no responsibility for incorrect installation.
- ! Curved monitors, deep devices (such as all-in-one PCs) and offset VESA locations exert additional leverage that can exceed the capacity of the mount even though the monitor weight may be within the stated range. Please contact Atdec if you would like further information.

1. Fix Clamp to Post or Wall Channel

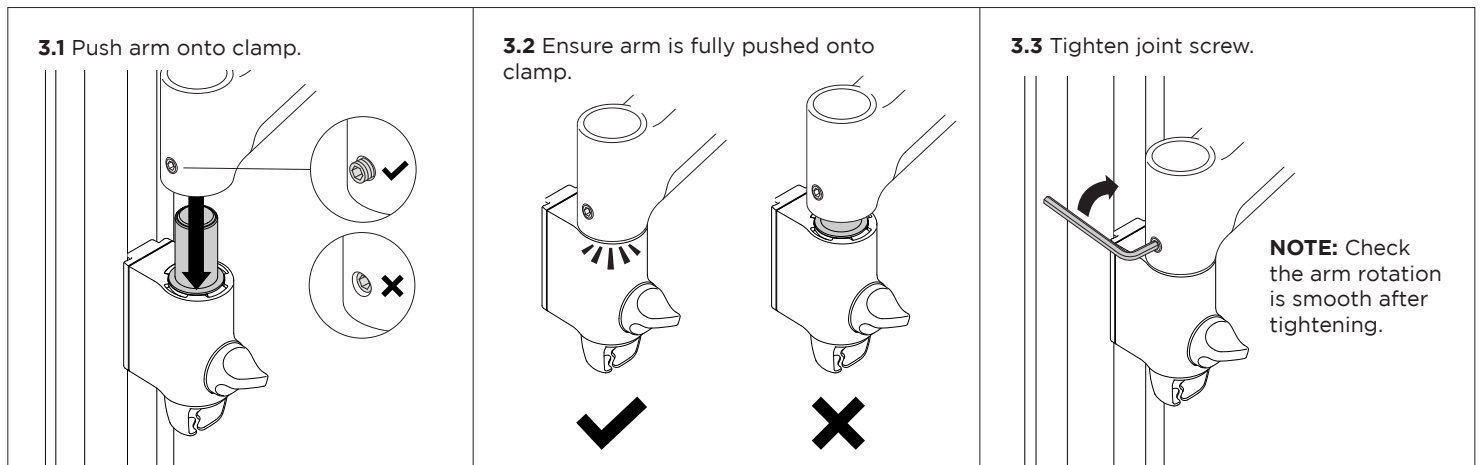


2. Set arm rotation to 180° (optional)

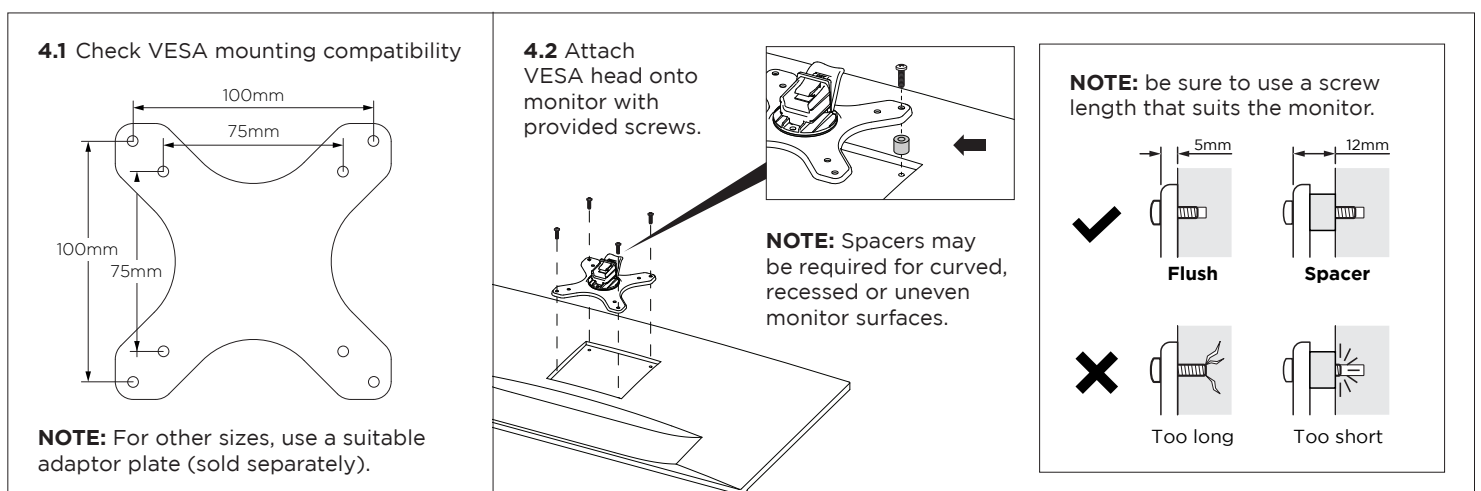
Note rotation is set to 360° by default.



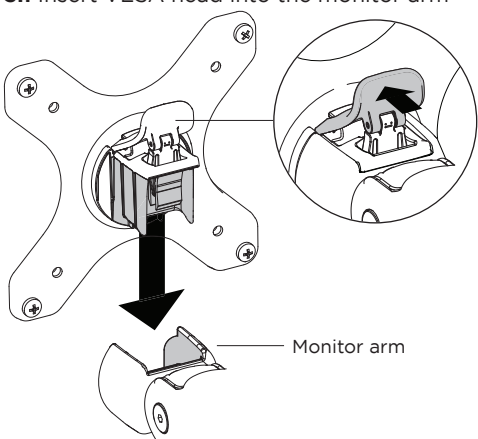
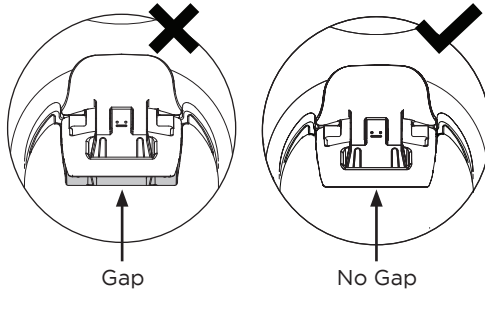
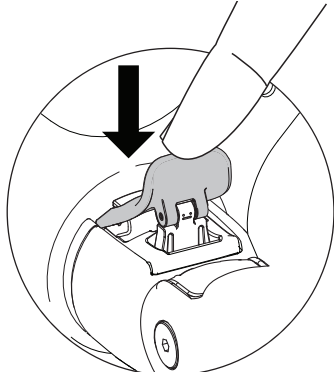
3. Fit Arm onto Channel Clamp



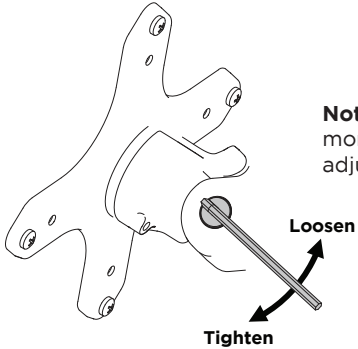
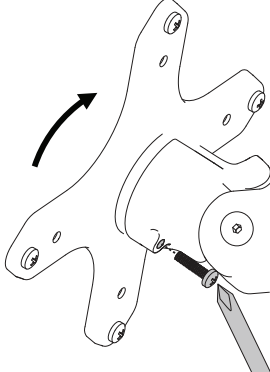
4. Attach VESA head to monitor



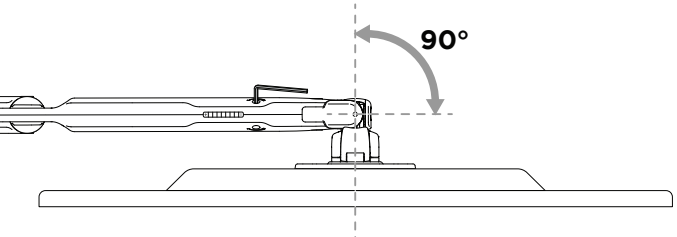
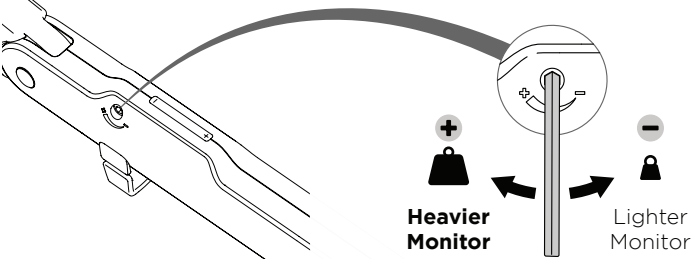
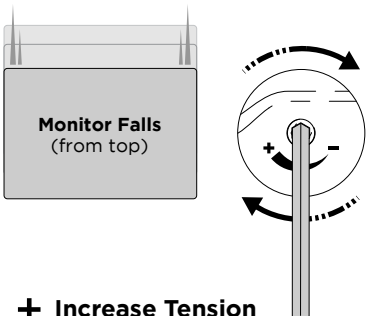
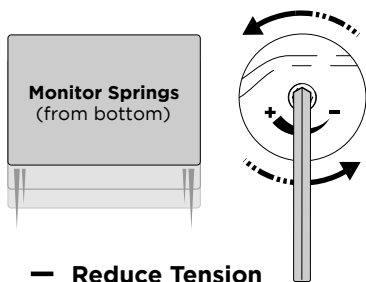
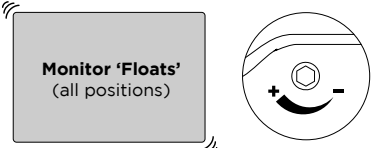
5. Mount monitor on arm

<p>5.1 Insert VESA head into the monitor arm</p> 	<p>5.2 Ensure that the VESA head sits flush within the monitor arm. There should be no gap.</p> 	<p>5.3 Push the lever down to secure it to the arm assembly</p> 
--	--	--

6. Adjust tilt tension & install security screw

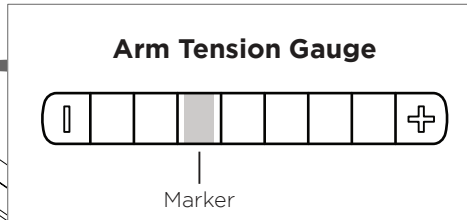
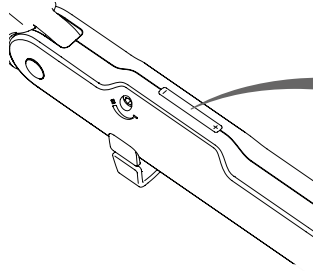
<p>6.1 Use the allen key to adjust the tilt tension until the monitor holds in a vertical position at the end of the arm.</p>  <p>Note: Support monitor while adjusting.</p>	<p>6.2 (OPTIONAL) Tilt the head upwards to install the optional security screw.</p> 
--	---

7. Adjust arm tension

<p>7.1 To accurately set the tension of the arm, position the monitor at 90 degrees</p> 	<p>7.2 Use the allen key to adjust the arm tension to the weight of the monitor. Follow steps 7.3 to 7.5 to set the tension.</p> 	
<p>7.3 If the monitor sags or falls down, increase the arm tension by rotating the screw clockwise.</p>  <p>+ Increase Tension</p>	<p>7.4 If the monitor springs upwards from the bottom position, decrease the arm tension by rotating the screw anti-clockwise.</p>  <p>- Reduce Tension</p>	<p>7.5 If the monitor floats or hovers in all positions the arm tension is balanced and does not require further adjustment.</p>  <p>✓ Balanced</p>

8. Tension gauge

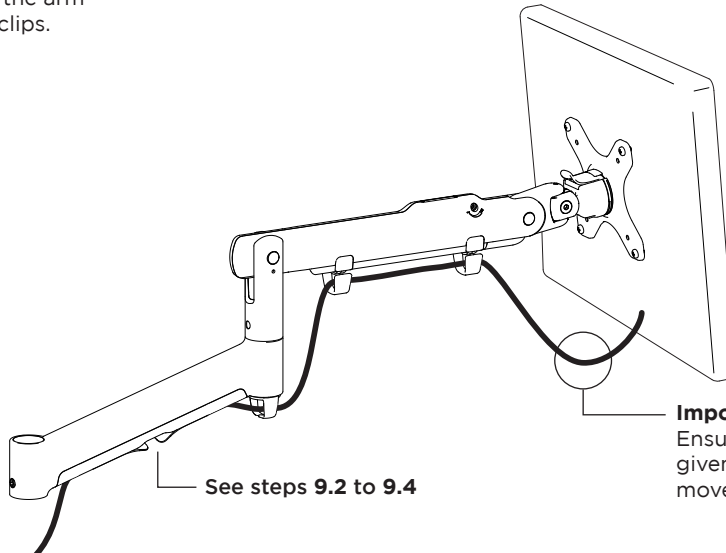
8.1 When installing multiple monitors of a similar weight, use the tension gauge to make installation faster.



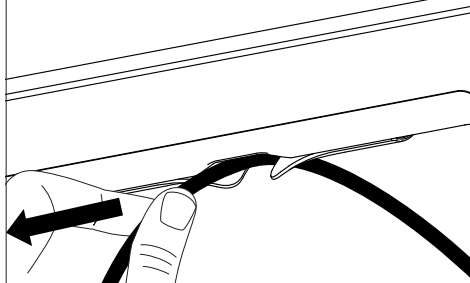
1. Set up one monitor and record the position of the marker on the gauge.
2. When installing subsequent monitors, pre-tension the arm to the recorded amount, then fine-tune the tension by following steps **7.3** to **7.5**.

9. Cable management

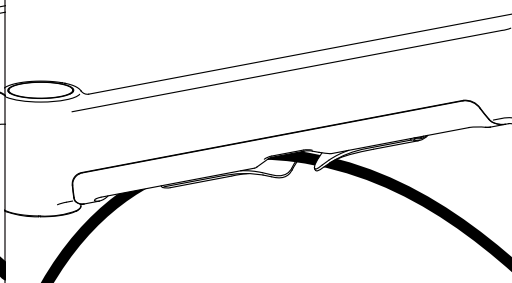
9.1 Plug cables into the monitor and route the cables down the arm using the cable hooks and clips.



9.2 Wedge cable into the central gap and slide it down the arm.



9.3 The cable should slip into the arm cavity.



9.4 Slide the remaining loose cable from the central gap up the arm.

