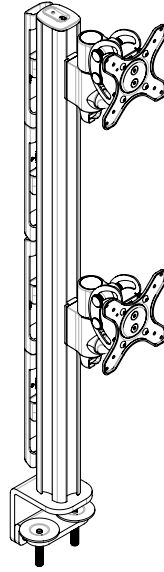
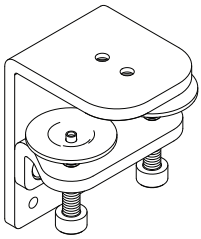


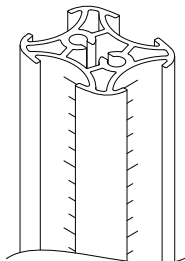
Dual Vertical Heavy Duty Mount with Heavy Duty F Clamp



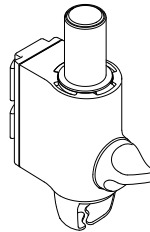
COMPONENT CHECKLIST



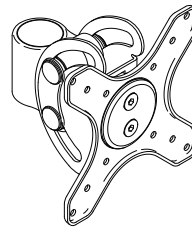
AWM-FH
Heavy Duty
F Clamp
(x1)



AWM-P75G
750 Post with
Guide Marks
(x1)



AWM-LC
Channel
Clamp
(x2)



AWM-LTH
Heavy Duty
Tilt Head
(x2)

RANGE

Desk 

REQUIRED TOOLS

- Phillips Head Screwdriver

CONTENTS

Heavy Duty F Clamp

Page 2

AWM-FH

| Component Checklist + Clamp Installation

750 Post with Guide Marks

Page 3

AWM-P75G

| Component Checklist + Post Installation

Channel Clamp

Page 4

AWM-LC

| Component Checklist + Clamp Installation

Heavy Duty Tilt Head

Page 5

AWM-LTH

| Component Checklist + Head Installation

IMPORTANT INFORMATION

! Please ensure this product is installed as per these installation instructions.

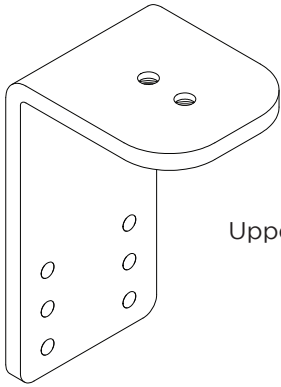
! Do not remove/ throw away the plastic cap on channel clamp.

! This product is compatible with Atdec AWM Series products.

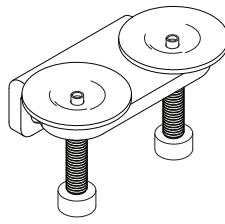
! Curved monitors, deep devices (such as all-in-one PCs) and offset VESA locations exert additional leverage that can exceed the capacity of the mount even though the monitor weight may be within the stated range.

! The manufacturer accepts no responsibility for incorrect installation.

COMPONENT CHECKLIST



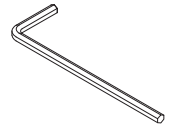
A
Upper Clamp
(x1)



B
Lower Clamp
(x1)



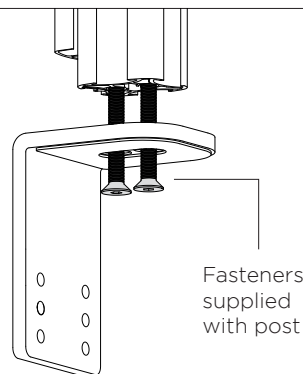
C
Screw M8 x 16mm
(x2)



D
5mm Allen key
(x1)

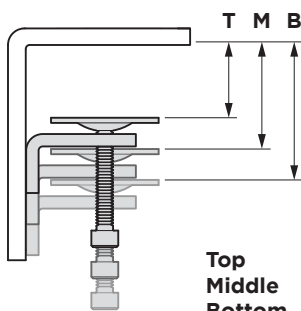
1. Attach post to upper clamp

NOTE: Post packaged separately



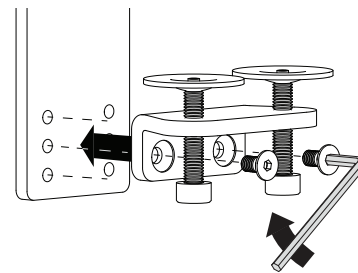
2. Attach lower clamp to upper clamp

2.1 Measure the worksurface thickness and choose the suitable lower clamp position



Top 0 - 38mm (0.00 - 1 1/2")
Middle 11 - 53mm (7/16" - 2 1/16")
Bottom 25 - 68mm (1" - 2 5/8")

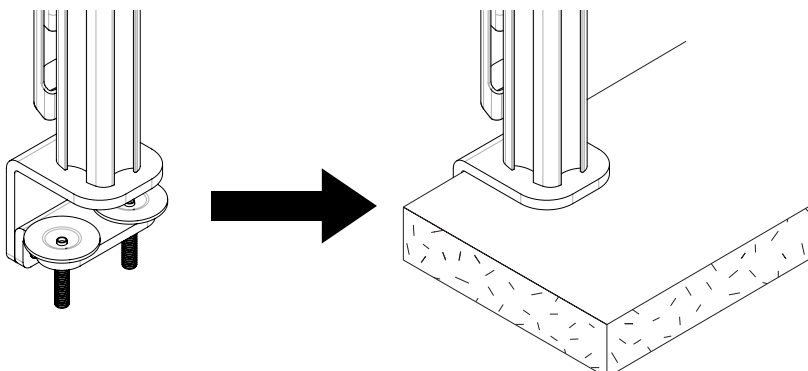
2.2 Attach lower clamp to upper clamp in the suitable position using the two provided screws



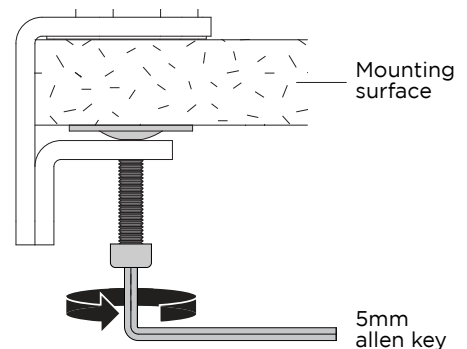
NOTE: If there is only a small gap behind the worksurface, perform **Step 3.1** before this step.

3. Fit fixing to work surface

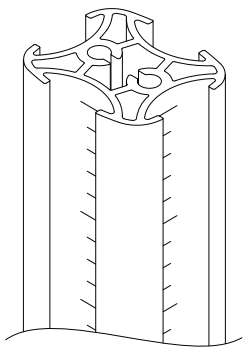
3.1 Place in desired location on worksurface



3.2 Screw in both pressure plates and tighten evenly and firmly



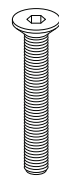
COMPONENT CHECKLIST



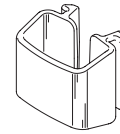
A
Post
(x1)



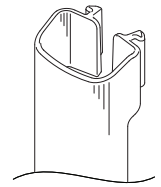
B
Post Cap
(x1)



C
Screw
M8
(x2)



D
Cable Cover Cap
(x4)

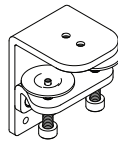


E
Cable Cover
(x2)

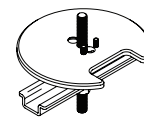
1. Attach Post to Fixing



1.1 Follow the Heavy Duty F Clamp installation guide on pages 2 of this booklet or provided with your alternate fixing option.



Supplied
**Heavy Duty
F Clamp**
AWM-FH



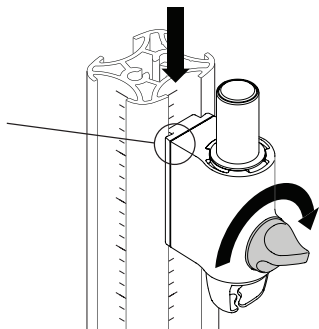
Also Compatible
**Grommet
Clamp**
AC-GC

2. Mount Clamp to Post

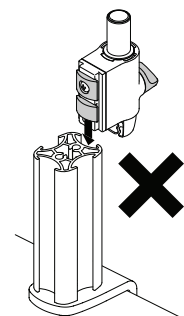
2.1 Slide clamp into post and position to desired height. Turn knob to lock in place.

If you are installing multiple mounts, use the guide marks on post as reference for setting the height of each arm. Final fine-tuning may be required once monitor is installed.

NOTE: Guide marks only available on 400 post, 510 post and 750 post.

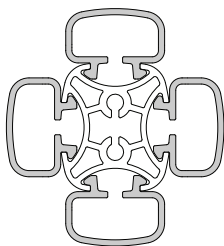


2.2 Do not mount monitor arm on rear channel post when using the supplied Heavy Duty F Clamp

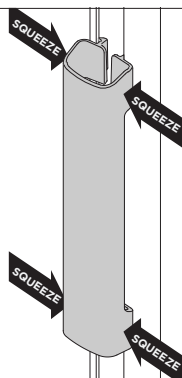


3. Position Cable Cover and fit Post Cap

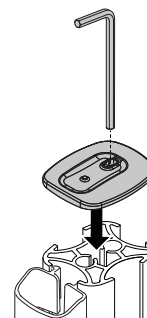
3.1 To reposition the cable cover, pull it straight up and out of the post and insert it into any of the available channels



Optional cable cover positions



3.2 Fit post cap onto the top of the post



Allen Key
(Supplied w/fixing)

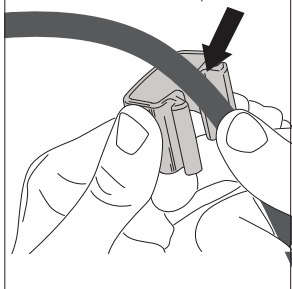
Post Cap

NOTE: An allen key may be stored in the Post Cap.

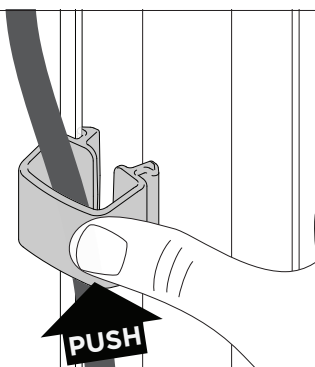
Post

4. Cable clips and cover

4.1 Push the cable down into the cable clip.



4.2 Insert one side of the cable clip into the channel on the post assembly, then push in the other side.



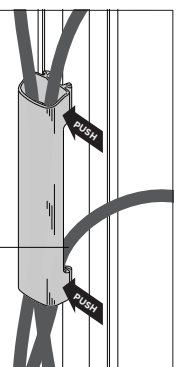
4.3 Loop cable and insert into cable cover.

Load cables into cable cover

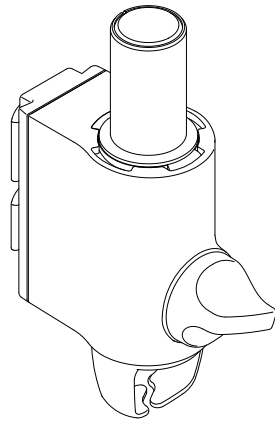


4.4 Feed remaining cable into the cover.

Cables can exit from the side of the cable cover



COMPONENT CHECKLIST



A
Channel
Clamp
(x1)

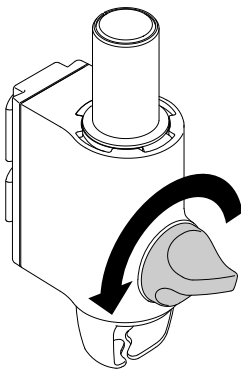
WEIGHT RANGE

0 - 14kg
(0 - 31lbs)

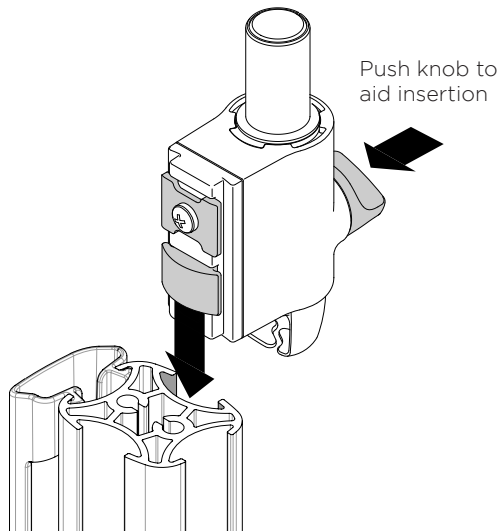
NOTE: Do not remove/
throw away plastic cap
on channel clamp.

1. Fix Clamp to Post

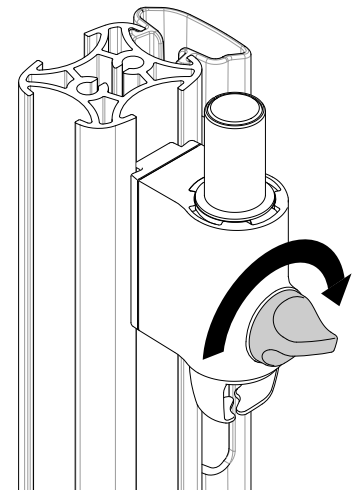
1.1 Ensure knob is undone.



1.2 Slide Channel Clamp into channel.



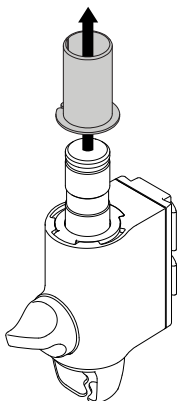
1.3 Hold clamp in desired position on post and turn knob to lock in place.



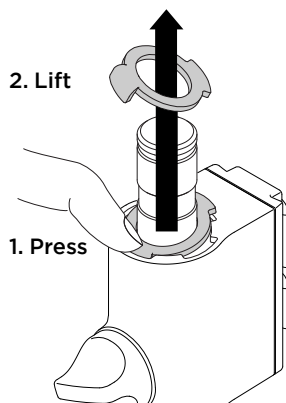
2. (Optional) Set arm rotation to 180°

NOTE: default arm rotation is set to rotate 360°

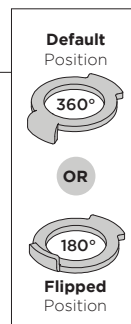
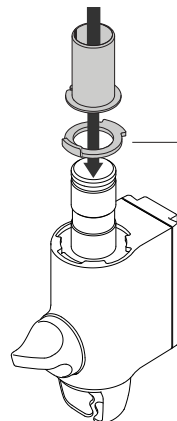
2.1 Remove plastic sleeve.



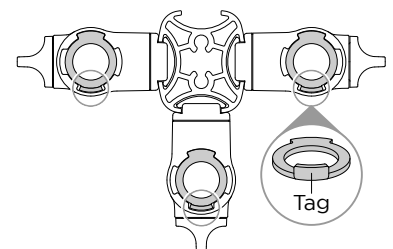
2.2 Remove rotation ring



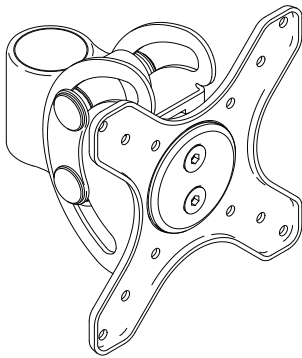
2.3 Place rotation ring in the desired position and **replace** plastic sleeve.



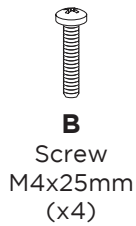
NOTE: Place the rotation ring
depending on what post channel
the arm will be attached to. The tag
should always face towards the user.



COMPONENT CHECKLIST



A
Heavy Duty
Tilt Head
(x1)



B
Screw
M4x25mm
(x4)



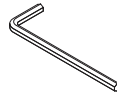
C
Screw
M4x16mm
(x4)



D
Screw
M4x12mm
(x4)



E
Spacer
(x4)



F
4mm
allen key
(x1)



G
Rotation
Security
Screw
M5x16mm
(x4)

WEIGHT RANGE

Flat Monitors

0 - 14kg
(0 - 31lbs)

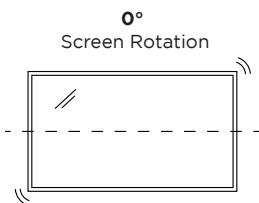
Curved Monitors

0 - 12kg
(0 - 26.5lbs)

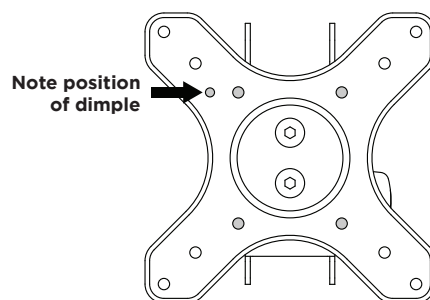
Monitor weight should be within the weight range of all modular elements that make up the complete monitor mounting solution.

1. (Optional) Lock monitor rotation

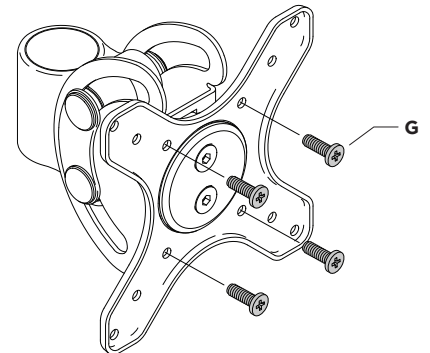
OPTIONAL To lock monitor rotation screw the four M5x16 screws into the four holes on the front of the VESA Head.



1.1 Ensure VESA Plate is in this orientation before installing screws.

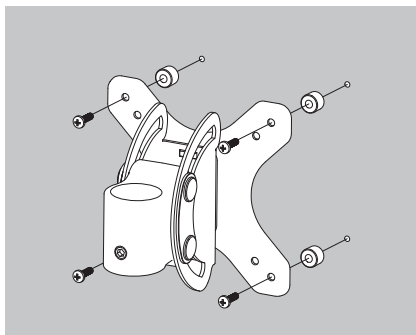


1.2 Install the four Rotation Security Screws (G) into the front of the VESA Head



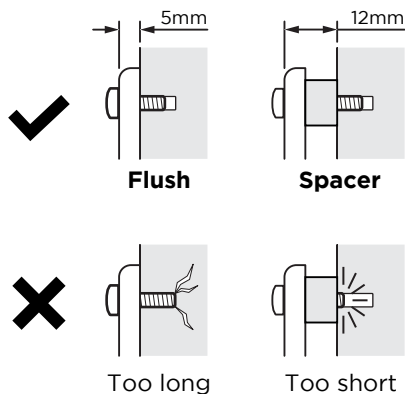
2. Attach VESA head to monitor

2.1 Screw the VESA head onto monitor

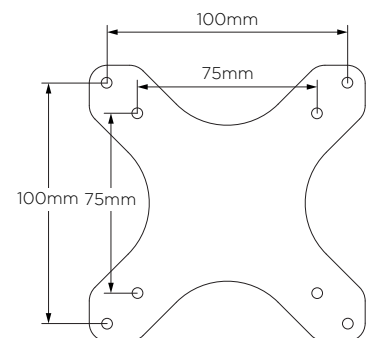


NOTE: Spacers may be required for curved, recessed or uneven monitor surfaces.

2.2 Ensure suitable screw size is used.

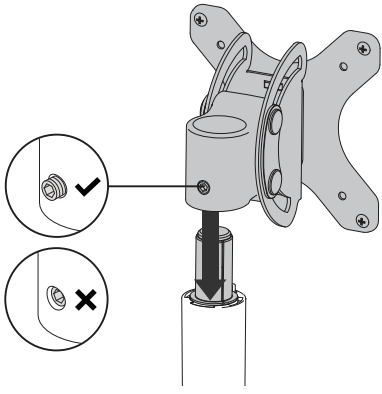
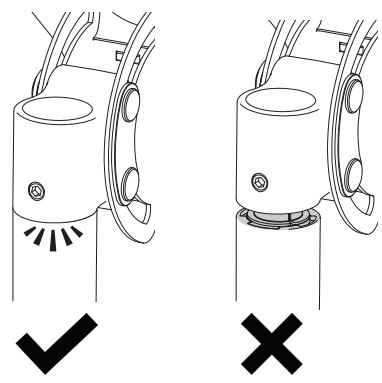
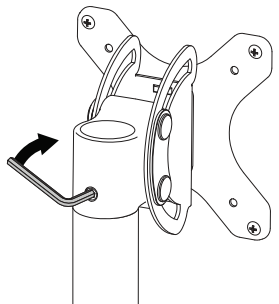


2.3 VESA mounting compatibility

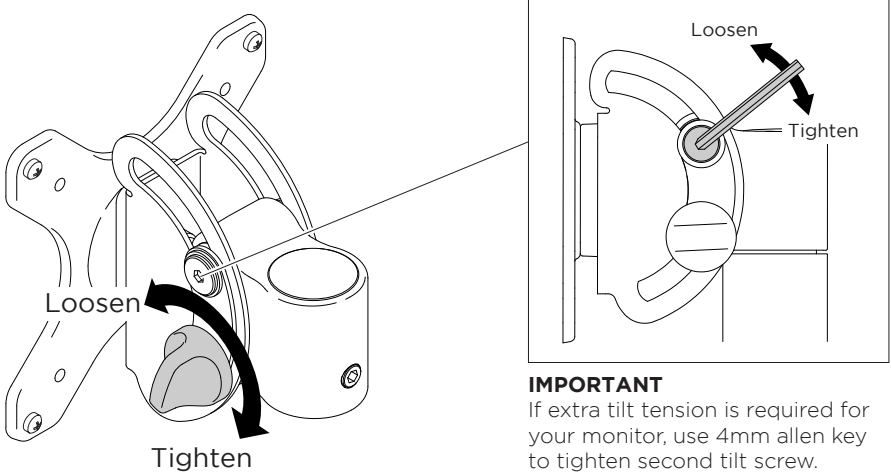


NOTE: For other sizes, use a suitable adaptor plate

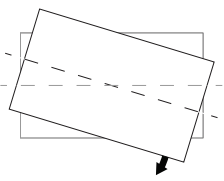
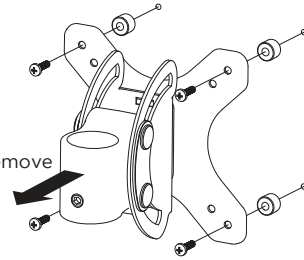
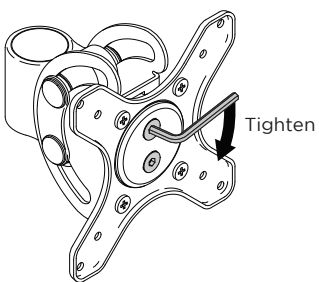
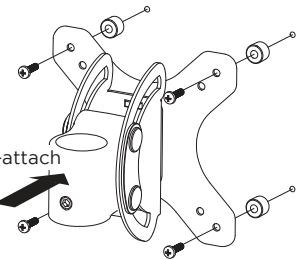
3. Mount monitor onto Channel Clamp

<p>3.1 Push tilt head onto the shaft at the end of the channel clamp, grub screw must be backed off at this time</p>  <p>NOTE: Ensure plastic sleeve is on shaft before fitting tilt head.</p>	<p>3.2 Ensure tilt head is fully pushed onto shaft.</p> 	<p>3.3 Tighten the joint screw with 4mm allen key to secure the tilt head and monitor in place.</p>  <p>NOTE: Check the head pan adjustment is smooth after tightening.</p>
---	--	--

4. Adjust tilt tension

<p>4.1 Use the knob to tighten and loosen the tilt tension to suit your monitor weight.</p> <p>NOTE: Always support the monitor whilst adjusting to prevent it from falling forward sharply.</p>	 <p>IMPORTANT If extra tilt tension is required for your monitor, use 4mm allen key to tighten second tilt screw.</p>
--	---

5. (Optional) Adjust rotation tension

<p>NOTE: In most cases, monitor will balance in a level position with factory settings. If it droops to one side follow these steps to adjust the rotation tension.</p> 	<p>5.1 Remove VESA head from monitor.</p> 	<p>5.2 Tighten the two screws on the front of the VESA plate using 4mm allen key.</p> 	<p>5.3 Re-attach VESA head to monitor as per Step 1.</p> 
--	--	---	--