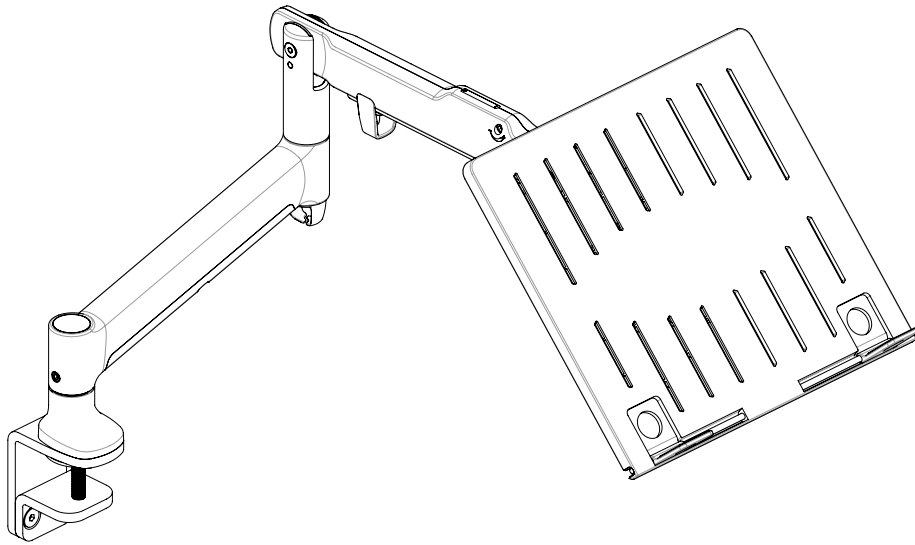
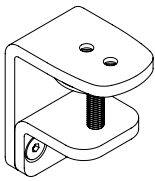


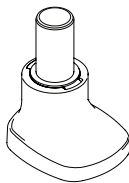
## AWM Dynamic Notebook Arm



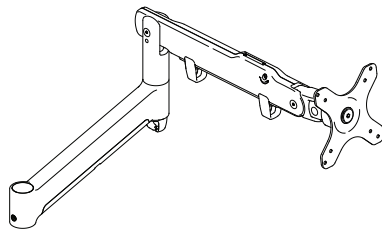
### COMPONENT CHECKLIST



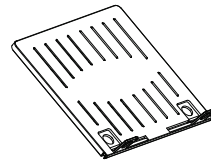
**AWM-FF**  
F Clamp  
(x1)



**AWM-LB**  
Base  
(x1)



**AWM-AD**  
Dynamic  
Arm  
(x1)



**AWM-HN**  
AWM  
Notebook Tray  
(x1)

Desk 

### REQUIRED TOOLS

- Phillips Head Screwdriver

### CONTENTS

#### F Clamp

Page 2

#### AWM-FF

| Component Checklist + Clamp Installation

#### Base

Page 3

#### AWM-LB

| Component Checklist + Base Installation

#### Dynamic Arm

Page 4

#### AWM-AD

| Component Checklist + Arm Installation

#### AWM Notebook Tray

Page 4

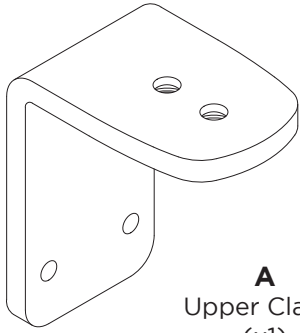
#### AWM-HN

| Component Checklist + Tray Installation

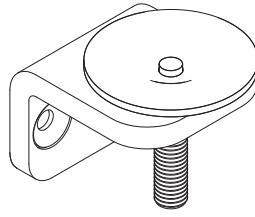
### IMPORTANT INFORMATION

- ! Please ensure this product is installed as per these installation instructions.
- ! Do not remove/ throw away the plastic cap on the base.
- ! This product is compatible with Atdec AWM Series products.
- ! Curved monitors, deep devices (such as all-in-one PCs) and offset VESA locations exert additional leverage that can exceed the capacity of the mount even though the monitor weight may be within the stated range.
- ! The manufacturer accepts no responsibility for incorrect installation.

## COMPONENT CHECKLIST



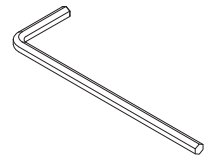
**A**  
Upper Clamp  
(x1)



**B**  
Lower Clamp  
(x1)

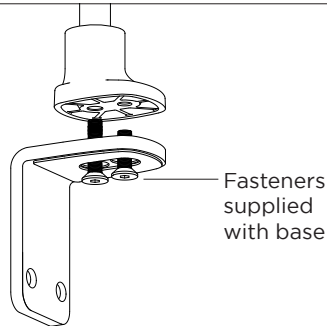


**C**  
Screw M8 x 16mm  
(x2)



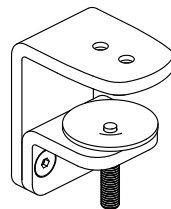
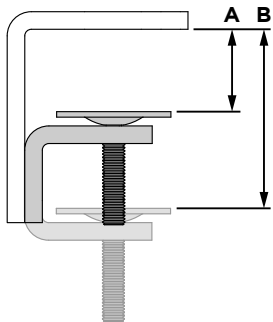
**D**  
5mm Allen key  
(x1)

### 1. Attach base to upper clamp

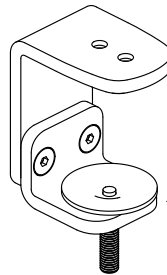


### 2. Attach lower clamp to upper clamp

**2.1** Measure the worksurface thickness and choose the suitable lower clamp position

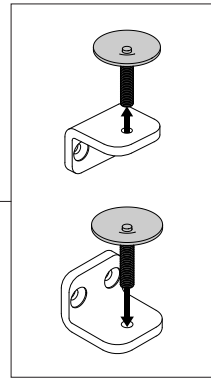


**A - Normal**  
0 - 36mm  
(0.00 - 1 3/8")

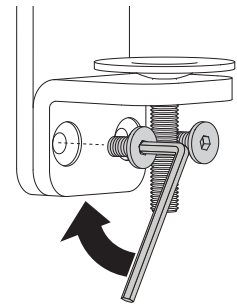


**B - Inverted**  
36 - 79mm  
(1 3/8" - 3")

**2.2** If using inverted position change the screw direction of the lower clamp



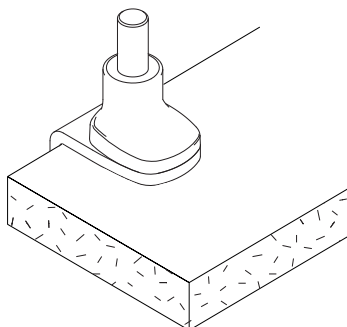
**2.3** Attach lower clamp to upper clamp in the suitable position using the two provided screws. (Normal position shown here)



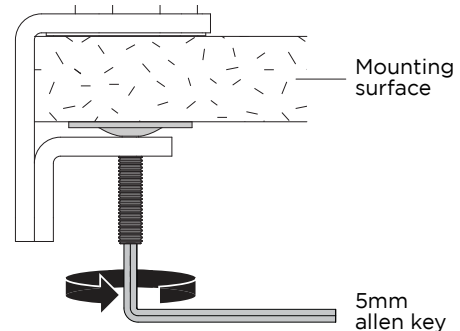
**Note:** If there is only a small gap behind the worksurface, perform **Step 3.1** before this step.

### 3. Fit fixing to work surface

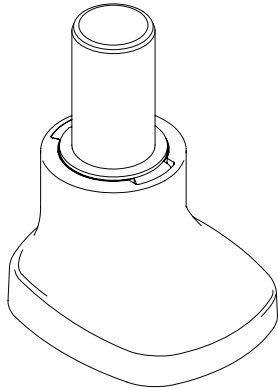
**3.1** Place in desired location on worksurface



**3.2** Screw in pressure plate and **tighten firmly.**



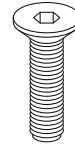
## COMPONENT CHECKLIST



**A**  
Base  
(x1)



**B**  
Screw M8 x 16mm  
(x1)



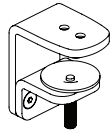
**C**  
Screw M8 x 30mm  
(x1)

## 1. Attach Base to Fixing



**1.1** Follow the F Clamp installation guide on pages 2 of this booklet or provided with your alternate fixing option.

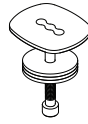
Supplied



**F Clamp**

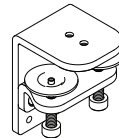
AWM-FF

Also Compatible



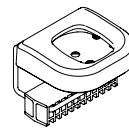
**Bolt Through Kit**

AWM-FB



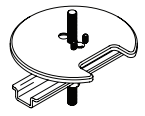
**Heavy Duty F Clamp**

AWM-FH



**C Clamp**

AWM-FC



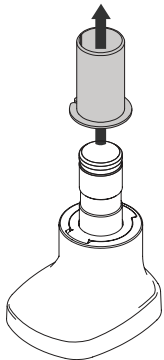
**Grommet Clamp**

AC-GC

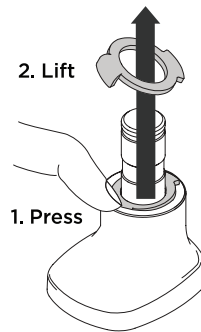
## 2. Set arm rotation to 180° (optional)

Note: default arm rotation is set to rotate 360°

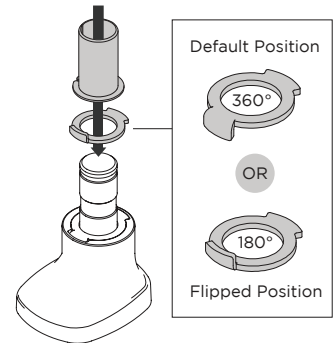
**2.1** Remove plastic sleeve.



**2.2** To remove rotation ring press down on front edge and lift.



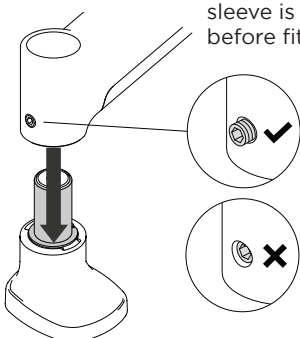
**2.3** Replace rotation ring in the desired orientation and replace plastic sleeve.



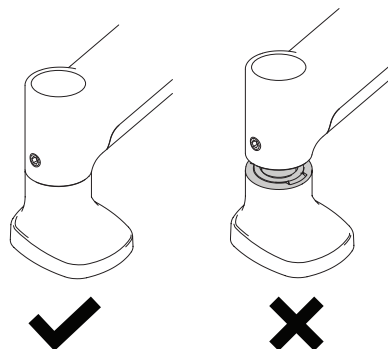
## 3. Fit arm onto Base

**3.1** Push arm onto base, grub screw must be backed off at this time.

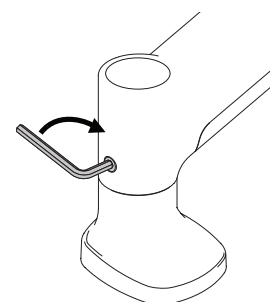
**NOTE:** Ensure plastic sleeve is on shaft before fitting arm.



**3.2** Ensure arm is fully pushed onto base.



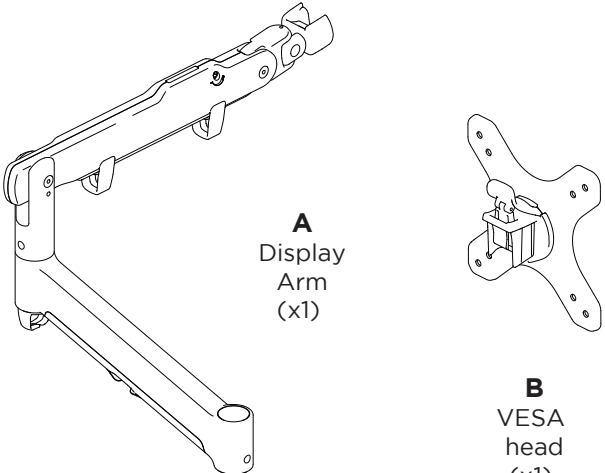
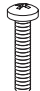
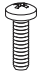


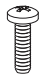
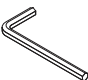
**3.3** Tighten set screw.



**NOTE:** Check the arm pan adjustment is smooth after tightening.

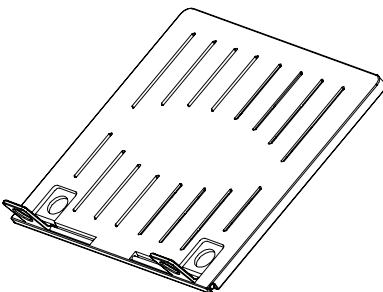

# Dynamic Arm

AWM-AD

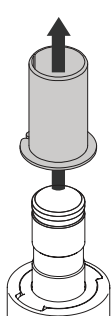
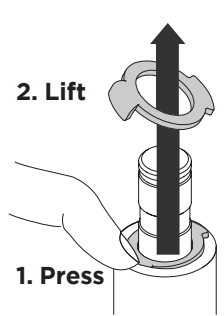
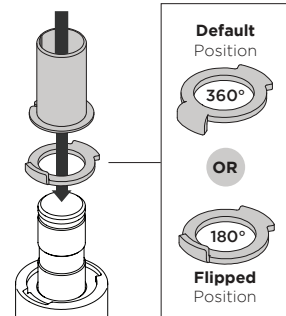
COMPONENT CHECKLIST				WEIGHT RANGE
 <p><b>A</b> Display Arm (x1)</p> <p><b>B</b> VESA head (x1)</p>	 <b>C</b> Screw M4x25mm (x4)	 <b>D</b> Screw M4x16mm (x4)	<p><b>Flat Monitors</b> 0 - 9kg (0 - 20lbs)</p> <p><b>Curved Monitors</b> 0 - 6kg (0 - 13.5lbs)</p> <p>Display weight should be within the weight range of all modular elements that make up the complete display mounting solution.</p>	
	 <b>E</b> Screw M4x12mm (x4)	 <b>F</b> Spacer (x4)		
	 <b>G</b> Security screw (x1)	 <b>H</b> 4mm allen key (x1)		

# AWM Notebook Tray

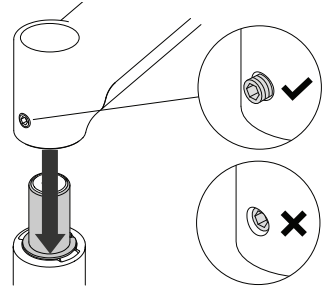
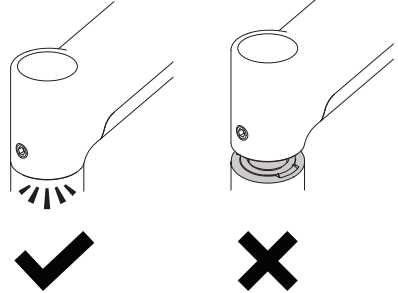
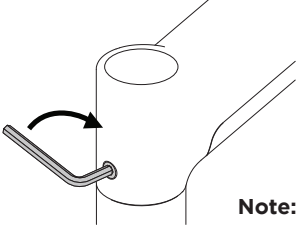
AWM-HN

COMPONENT CHECKLIST		WEIGHT RANGE
 <p><b>A</b> Notebook Tray (x1)</p>	 <b>B</b> Hook-and-Loop Fasteners (x4)	

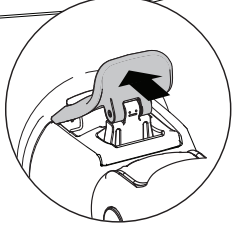
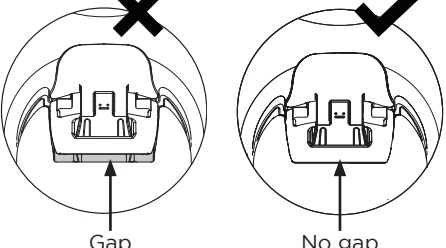
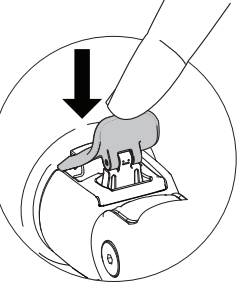
## 1. Set arm rotation to 180° (optional)

<p><b>1.1</b> Remove plastic sleeve.</p> 	<p><b>1.2</b> Remove rotation ring.</p> <p><b>1. Press</b></p> <p><b>2. Lift</b></p> 	<p><b>1.3</b> Place rotation ring in the desired position. The tag on the ring should always face towards the user.</p>  <p><b>Default Position</b> 360°</p> <p>OR</p> <p><b>Flipped Position</b> 180°</p>
--	--	--

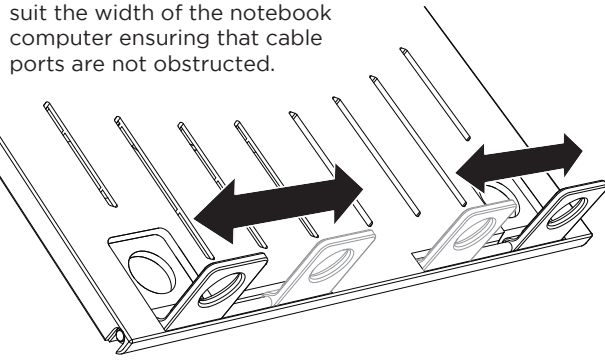
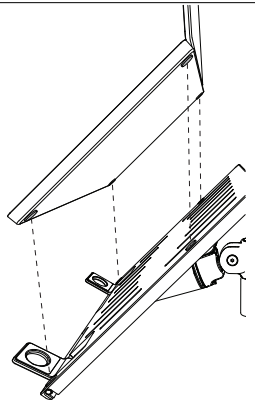
## 2. Fit arm onto Base

<p><b>2.1</b> Push arm onto shaft.</p> 	<p><b>2.2</b> Ensure arm is fully pushed onto shaft.</p> 	<p><b>2.3</b> Tighten joint screw.</p>  <p><b>Note:</b> Check the arm rotation is smooth after tightening.</p>
--	--	---

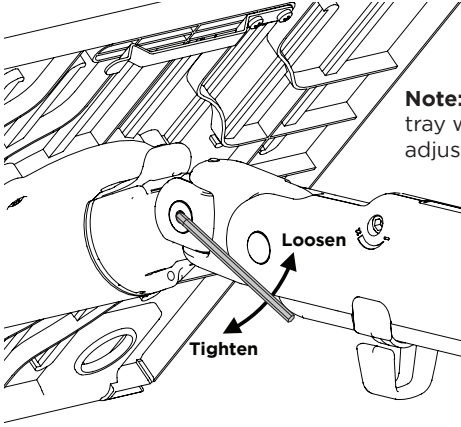
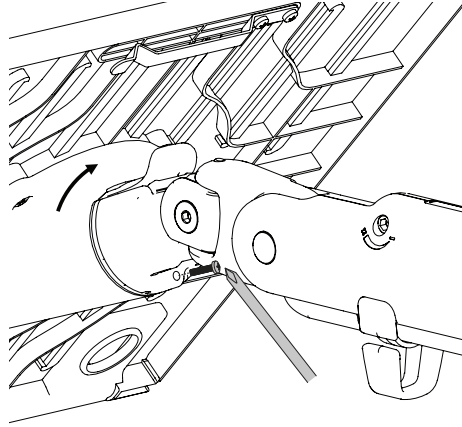
## 3. Mount Notebook Tray onto arm

<p><b>3.1</b> Insert Notebook Tray into the display arm</p>  <p><b>Note:</b> Ensure the lever is unlocked when fitting.</p>	<p><b>3.2</b> Ensure that the Notebook Tray is seated fully into the receptacle at the end of the display arm. There should be <b>no</b> gap.</p>  <p>Gap                      No gap</p>	<p><b>3.3</b> Push the lever down to secure it to the arm assembly.</p> 
---	---	---

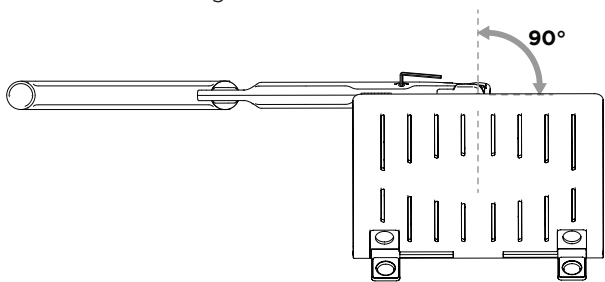
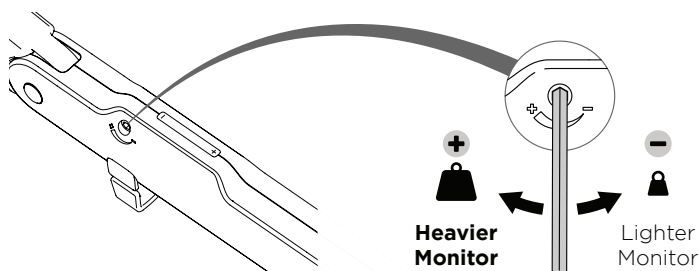
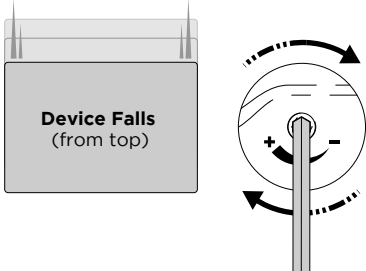
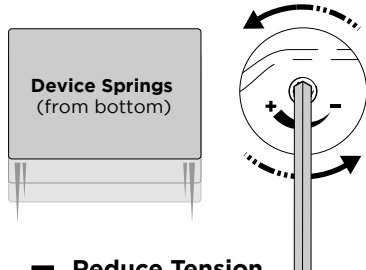
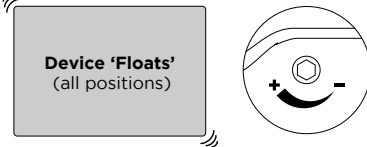
## 4. Mount notebook computer

<p><b>4.1</b> Adjust the support tabs to suit the width of the notebook computer ensuring that cable ports are not obstructed.</p> 	<p><b>4.2</b> To increase stability, use the self adhesive Hook-and-Loop Fasteners supplied.</p> <ol style="list-style-type: none"> <li>Peel off the backing paper to the fasteners.</li> <li>Attach fasteners to both the Notebook Tray and notebook computer.</li> <li>Ensure that each set of fasteners are correctly aligned i.e. Hook to Loop.</li> </ol> 
---	--

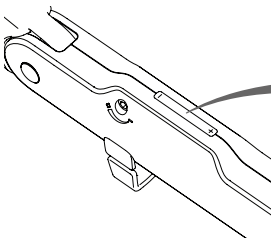
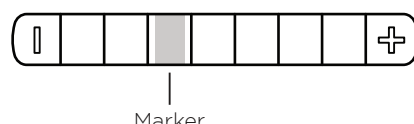
## 5. Adjust tilt tension & install security screw

<p><b>5.1</b> Use the allen key to adjust the tilt tension until the tray holds in a vertical position at the end of the arm.</p>  <p><b>Note:</b> Support tray while adjusting.</p> <p>Loosen</p> <p>Tighten</p>	<p><b>5.2</b> (Optional) Tilt the head upwards to install the optional security screw.</p> 
--	---

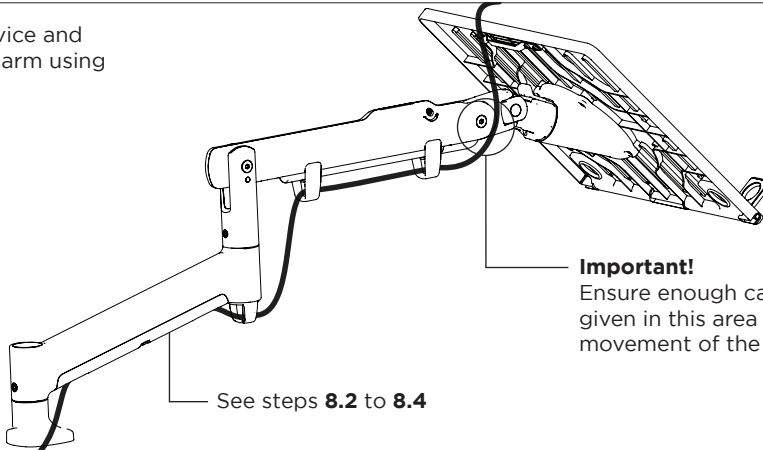
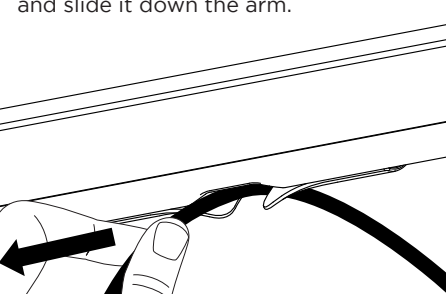
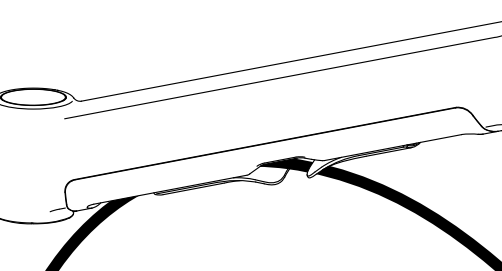
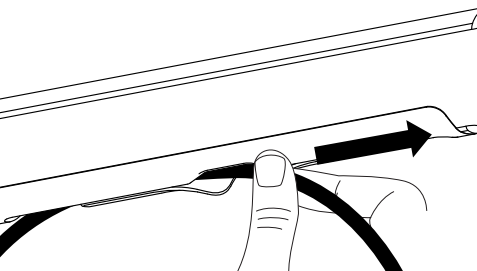
## 6. Adjust arm tension

<p><b>6.1</b> To accurately set the tension of the arm, position the device at 90 degrees</p> 	<p><b>6.2</b> Use the allen key to adjust the arm tension to the weight of the device. Follow steps <b>6.3</b> to <b>6.5</b> to set the tension.</p> 	
<p><b>6.3</b> If the device sags or falls down, increase the arm tension by rotating the screw clockwise.</p>  <p><b>+ Increase Tension</b></p>	<p><b>6.4</b> If the device springs upwards from the bottom position, decrease the arm tension by rotating the screw anti-clockwise.</p>  <p><b>- Reduce Tension</b></p>	<p><b>6.5</b> If the device floats or hovers in all positions the arm tension is balanced and does not require further adjustment.</p>  <p><b>✓ Balanced</b></p>

## 7. Tension gauge

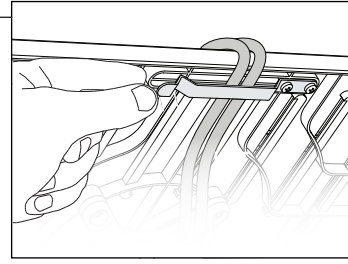
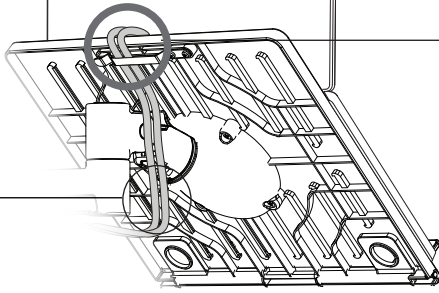
<p><b>7.1</b> When installing multiple devices of a similar weight, use the tension gauge to make installation faster.</p> 	<p><b>Arm Tension Gauge</b></p>  <p>Marker</p>	<ol style="list-style-type: none"> <li>1. Set up one device and record the position of the marker on the gauge.</li> <li>2. When installing subsequent displays, pre-tension the arm to the recorded amount, then fine-tune the tension by following steps <b>6.3</b> to <b>6.5</b>.</li> </ol>
---	--	---

## 8. Cable management

<p><b>8.1</b> Plug cables into the device and route the cables down the arm using the cable hooks and clips.</p>  <p><b>Important!</b> Ensure enough cable slack is given in this area to allow for movement of the device.</p> <p>See steps <b>8.2</b> to <b>8.4</b></p>		
<p><b>8.2</b> Wedge cable into the central gap and slide it down the arm.</p> 	<p><b>8.3</b> The cable should slip into the arm cavity</p> 	<p><b>8.4</b> Slide the remaining loose cable from the central gap up the arm.</p> 

**8.5** Cable clips and covers can be used to further manage cables.

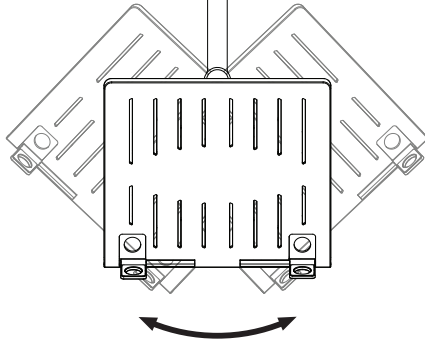
**Note:** Ensure enough cable slack is given to allow for movement.



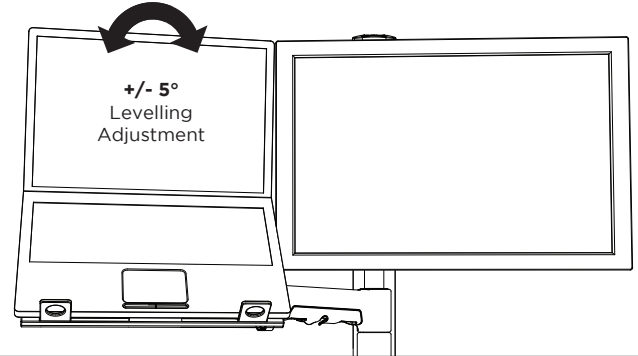
**Note:** After connecting the notebook computer cables, route them through the cable management clip on the back of the Notebook Tray.

## 9. Adjust Notebook Tray

**9.1** Pan tray to desired position.

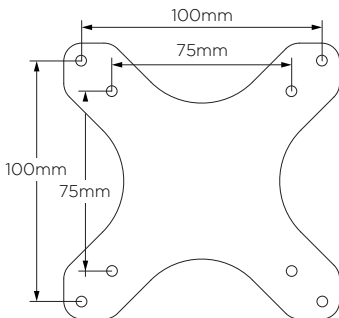


**9.2** Position and align notebook with other monitors.



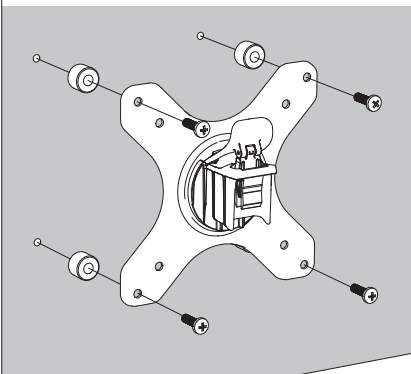
You may choose to convert your solution to mount a display, to do so:

**10.1** VESA mounting compatibility



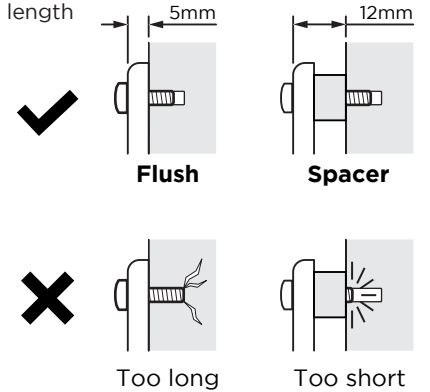
**Note:** For other sizes, use a suitable adaptor plate (sold separately).

**10.2** Attach VESA head onto display with provided screws.

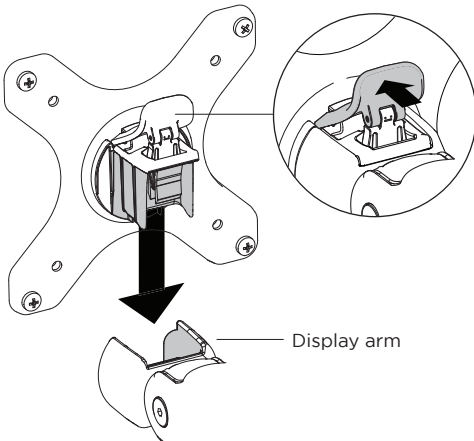


**Note:** Spacers may be required for curved, recessed or uneven display surfaces.

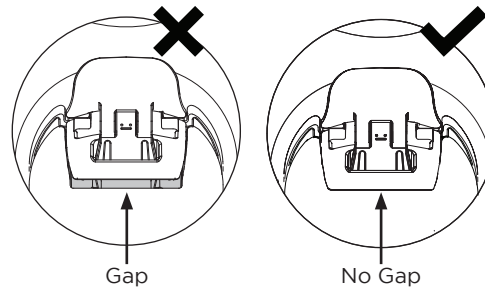
**10.3** Be sure to use correct screw length



**10.4** Insert VESA head into the display arm



**10.5** Ensure that the VESA head sits flush within the display arm. There should be **no** gap.



**10.6** Push the lever down to secure it to the arm assembly

