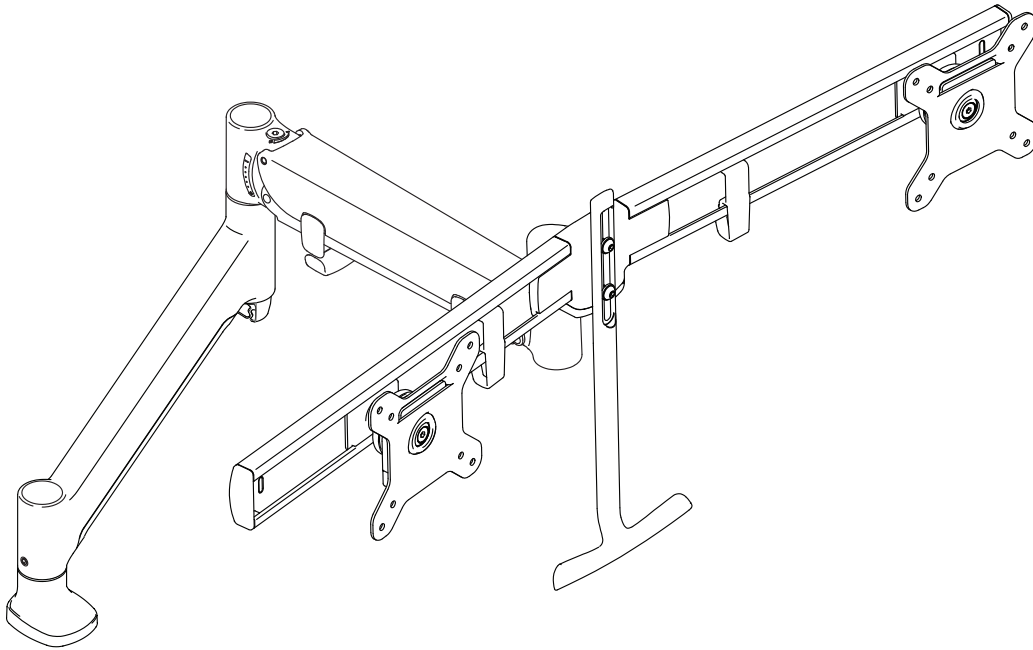


Dual Monitor Mount with Crossbar on HD Dynamic Arm



FEATURES

- Supports two monitors up to 27".
- Monitor quick release/attachment mechanism.
- Counterbalanced vertical movement.
- Tension gauge makes installation of multiple arms faster.
- Integrated, optional 180° rotation limiter to prevent interference with desk mounted panels and dividers.
- Cable management with generous capacity, guides cables discreetly down the arm to the work surface.
- Optional height adjustable handle for effortless repositioning (included).

Monitor weight range	2 - 7kg (4.5 - 15lb)* Per Monitor 5kg (11lb) max weight difference
Horizontal adjustment	444mm (17.48")
Vertical adjustment	342mm (13.46")
Tilt angle	+/- 20°
Monitor rotation	360°
Levelling adjustment	+/- 5°
VESA mounting	75x75 100x100

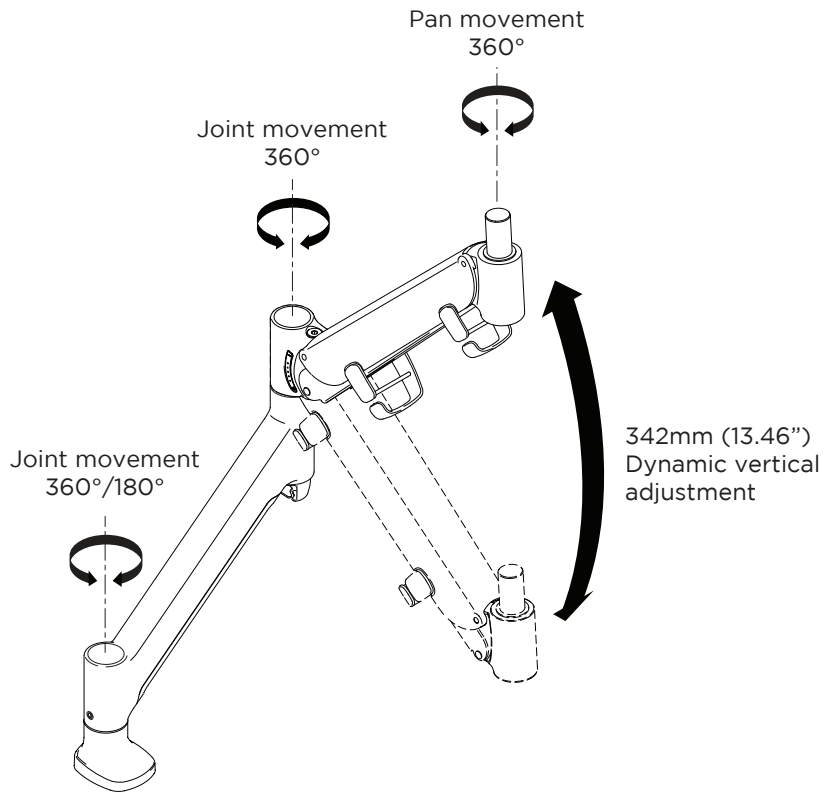
*Monitor weight should be within the weight range of all modular elements that make up the complete monitor mounting solution.

*Curved monitors, deep devices (such as all-in-one PCs) and offset VESA locations exert additional leverage that can exceed the capacity of the mount even though the monitor weight may be within the stated range. Please contact Atdec if you would like further information.

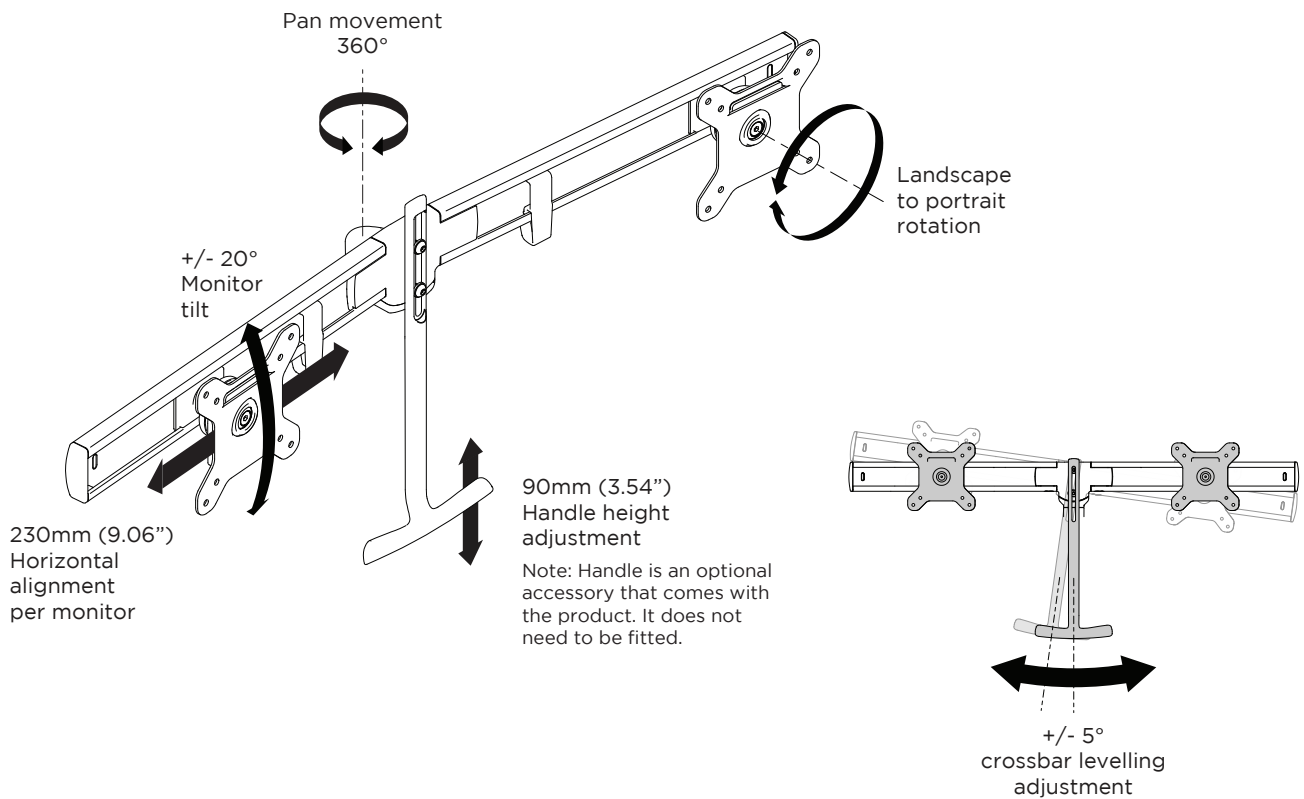
WARRANTY

10 years limited

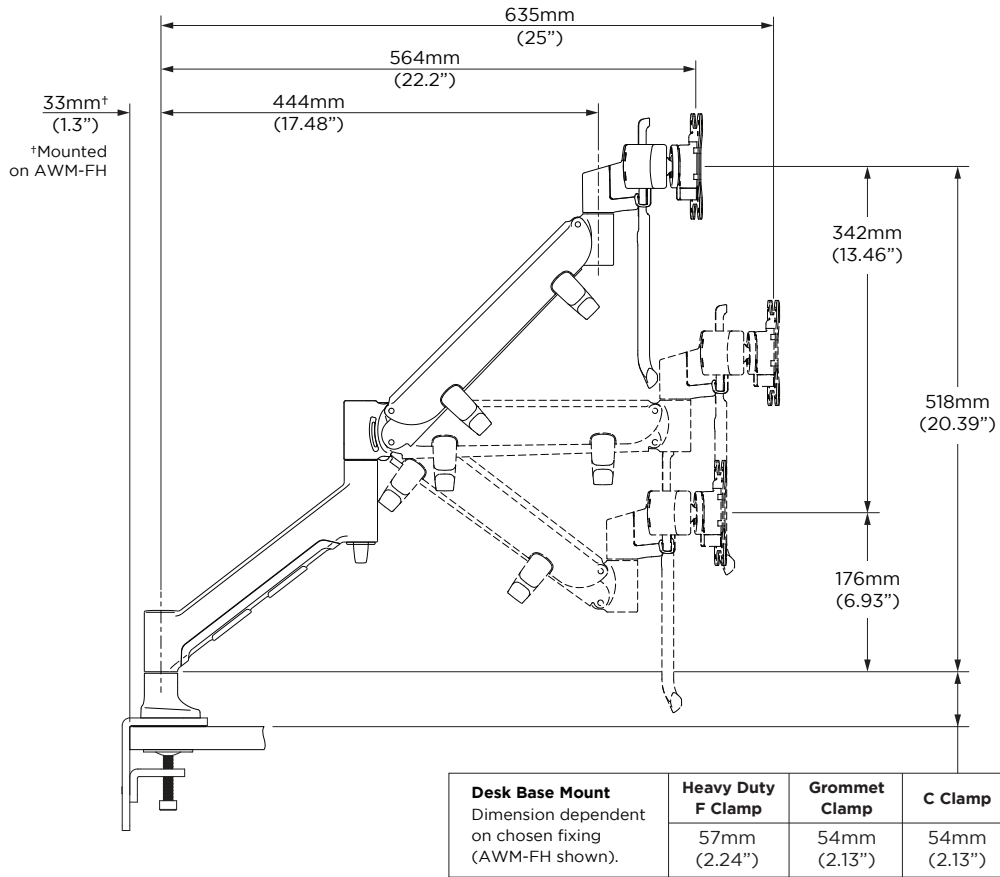
MOVEMENT - HEAVY DUTY DYNAMIC ARM



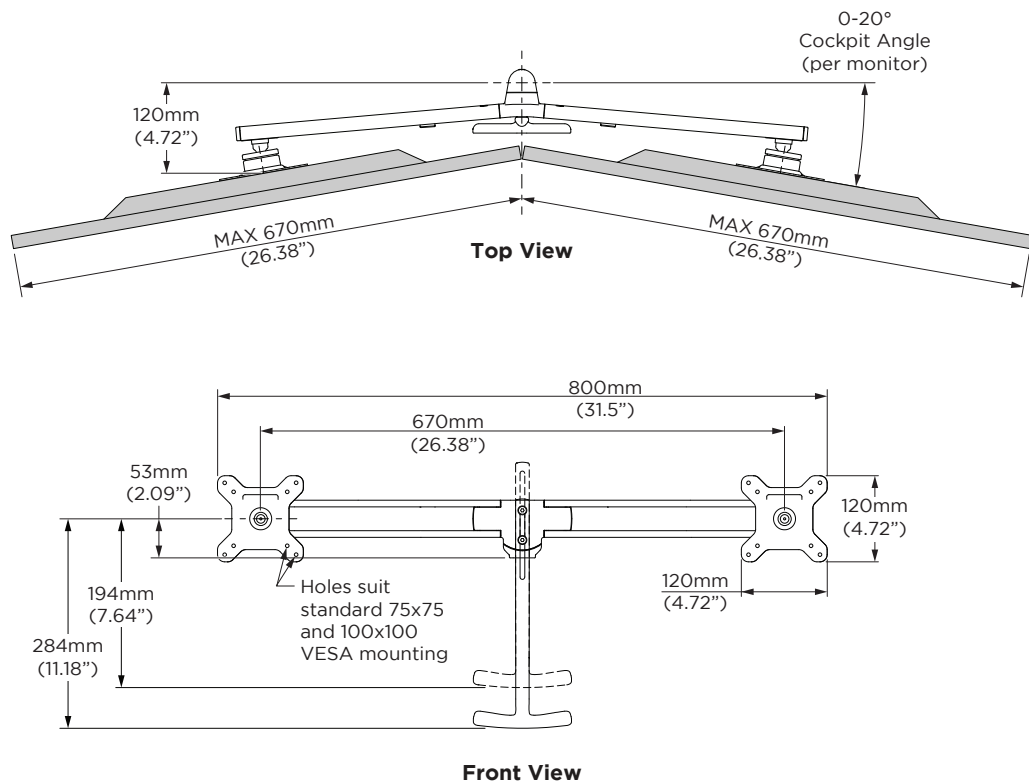
MOVEMENT - DUAL CROSSBAR



DIMENSIONS



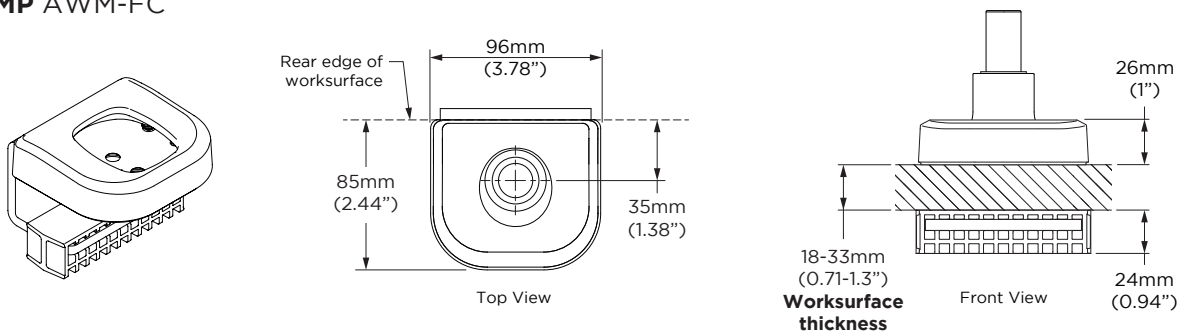
DIMENSIONS - DUAL CROSSBAR



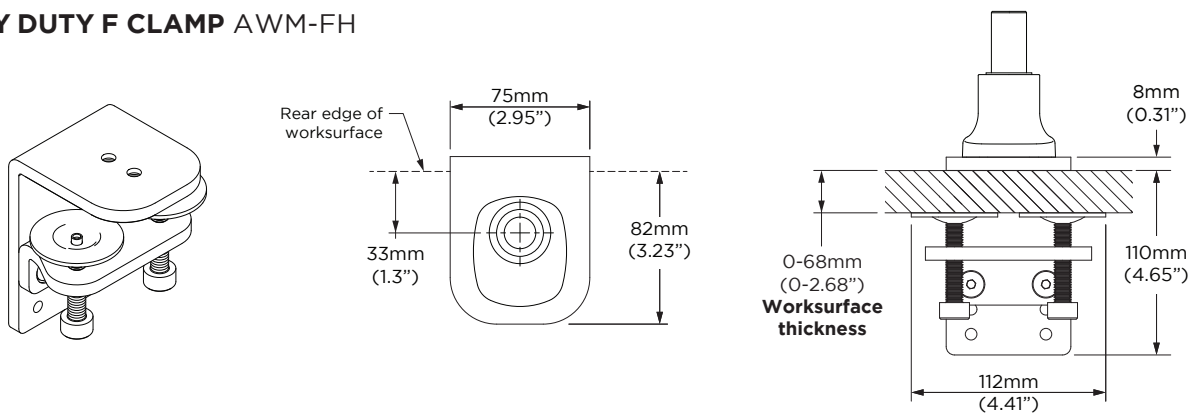
DESK FIXING OPTIONS

Below are the fixing options available for this solution. For more information and detailed specifications for these products please see the separate Technical Specifications available on the Atdec website.
 Note: Chosen desk fixing must be added to this solution code when ordering.

C CLAMP AWM-FC



HEAVY DUTY F CLAMP AWM-FH



GROMMET CLAMP AC-GC

Suitable for bolt through installations

