











Full Motion | Medium articulated arm TH-2050-VFM

-  Suits mounting hole patterns from 100x100mm to 400x400mm\*
-  Flexible wall mount
-  Suits displays up to 35kgs (77lbs)
-  Articulated wall extension
-  Tool-less tilt & pan adjustment
-  Detachable mounting head
-  Allows horizontal position adjustment
-  Selectable installation orientation

The Telehook Medium Articulated Arm is a cutting edge wall mount which combines superior styling and operational flexibility with easy positional adjustment. The Full Motion design incorporates Atdec Smooth Glide™ technology for easy wall extension and viewing angle adjustment. The display bracket features extended VESA compatibility to support a wide range of monitors, displays and televisions in either a landscape or portrait orientation (selectable during installation). It features a detachable head with facility for screen levelling and a locking screw to help prevent theft. Once installed your guaranteed a quality professional finish with fully integrated cable management and a dress cover to hide the wall connection.



### Product key features:

- Suits a wide range of installation and usage situations.
- Allows display installation in either landscape or portrait orientation
- Comes pre-assembled with installation templates to reduce set-up time
- Articulated design enables a centralized seated position with wall extension from 100mm (3.94") to 540mm (21.26")
- Allows 180° rotation at the wall, 360° at the articulation and 180° at the display head.
- Detachable mounting head enables easy installation and maintenance with a security screw (provided) to deter unauthorized removal.
- Allows tilt adjustment from -5° to +20°
- Allows +/-5° horizontal adjustment for screen levelling
- Integrated cable management
- Comes with mounting hardware to enable masonry or timber stud installation.
- Durable construction with 10 year warranty



**Adjustable tool-less tilt**

**Smooth Glide™ technology for effortless positional adjustment**

**Strong die cast aluminum construction**

**Detachable mounting head for easy display installation and maintenance**

**Integrated cable management**

**Offers full range of movement via three pivot points**

\* Supports 100x100, 200x100, 200x200, 200x300, 200x400, 300x200, 300x300, 300x400, 400x200, 400x300 & 400x400mm VESA mounting hole patterns



Atdec Global [www.atdec.com.au](http://www.atdec.com.au)  
Atdec North America [www.atdec.com](http://www.atdec.com)

## Product information, single unit

Model code	Load capacity	Material	Color
TH-2050-VFM	35kg (77lbs)	Die cast aluminium arm, steel wall plate and display bracket, plastic trim	Matt silver with black trim

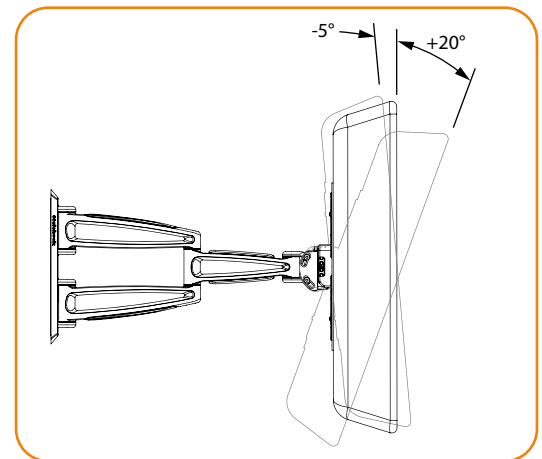
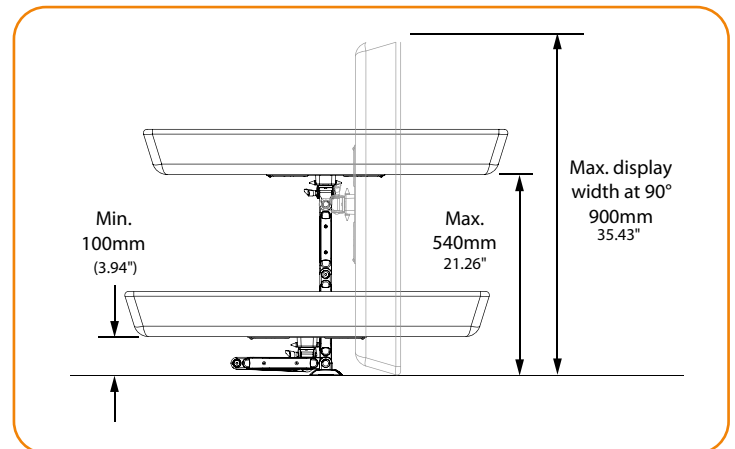
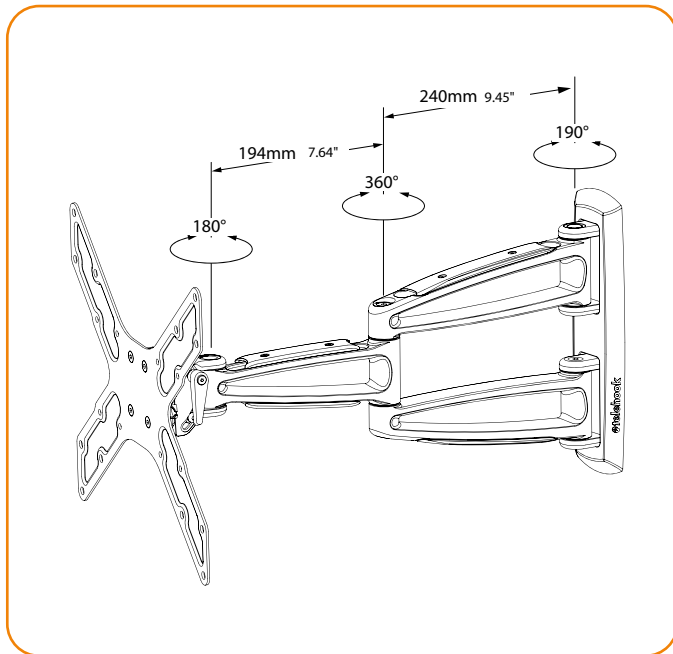
## Package information, single unit

Size	Ship weight	UPC code	Contents
36mm x 35mm x 13mm (14.25" x 14" x 5")	5.48kg (12.2lbs)	881493004733	Mount (pre-assembled) with wall cover, security screw, install guide, display and wall attachment hardware

## Package information, master pack

Size	Ship weight	UPC	Units per master pack
38mm x 38mm x 54mm (15" x 15" x 21.25")	22.76kg (50.6lbs)	881493004689	4

## Technical drawings



## Accessory options

AC-AP-4040	400x400 VESA adaptor
------------	----------------------

## Other models in this range

TH-1032-VFM	Low weight Full Motion swing arm
TH-1040-VFM	Low weight Full Motion articulated arm
TH-3270-UFM	High weight Full Motion articulated arm
TH-3060-SAU	High weight swing arm (silver)

Atdec mounts are designed, developed and tested in Australia. We manufacture an extensive range of display and projector mountings for a variety of user types and situations. While all efforts have been made to ensure the information in this brochure was correct as of the date of printing, we reserve the right to change specifications without notice. Please refer to the web site for our full range along with the latest details on specifications, compatibility and dealer location. Atdec and Telehook are registered trademarks with all rights reserved. Copyright July 2011 V2.0



Atdec Global [www.atdec.com.au](http://www.atdec.com.au)  
Atdec North America [www.atdec.com](http://www.atdec.com)