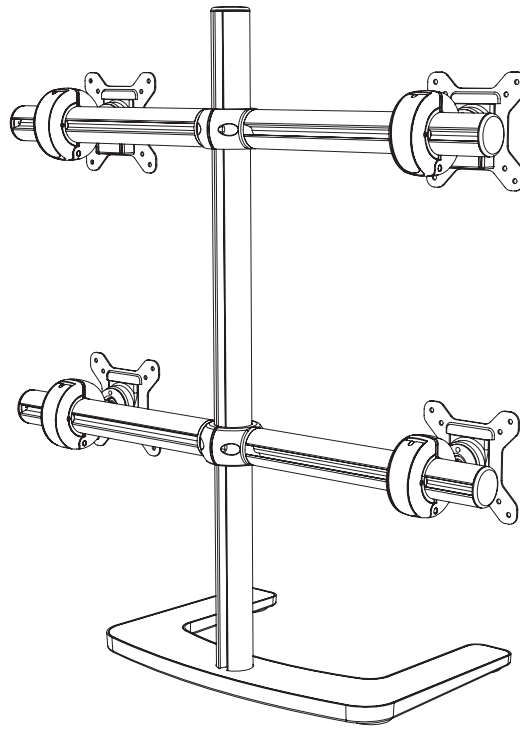
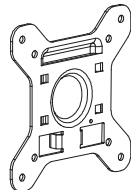
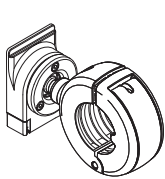
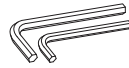
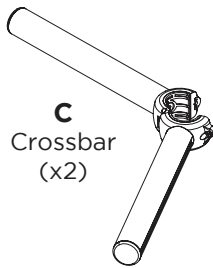
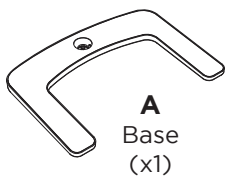


## Freestanding Quad Monitor Mount



### COMPONENT CHECKLIST



**B**  
Upright  
Pole  
(x1)

**D**  
VFS Display  
Head  
(x4)

**E**  
VESA  
Plate  
(x4)

**L**  
(Optional)  
Security Screw  
(x4)

**M**  
Cable Ball  
(x8)



Desk 

### REQUIRED TOOLS

- Phillips Head Screwdriver

### WEIGHT RANGE Per Monitor

**Flat Monitor**  
0 - 8kg (0 - 17.6lb)

**Curved Monitor**  
0 - 6kg (0 - 13.5lb)

#### NOTE

- 120mm (4.75") max overall monitor depth.
- 1kg (2.2lb) maximum weight difference between monitors.

### IMPORTANT INFORMATION

! Please ensure this product is installed as per these installation instructions.

! Each VFS Display head supports a maximum weight as per above weight range specification.

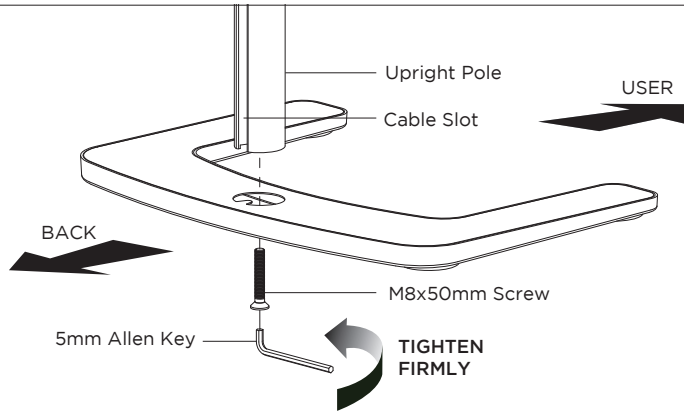
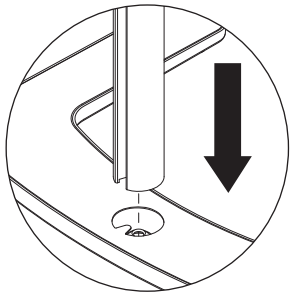
! This product supports VESA mounting hole configurations: 75x75mm and 100x100mm.

! The manufacturer accepts no responsibility for incorrect installation.

! Curved monitors, deep devices (such as all-in-one PCs), VESA mounted accessories (such as mini PC brackets and mounts), and offset VESA locations exert additional leverage that can exceed the capacity of the mount even though the monitor weight may be within the stated range. Please contact Atdec if you would like further information.

# 1. Attach upright pole to base

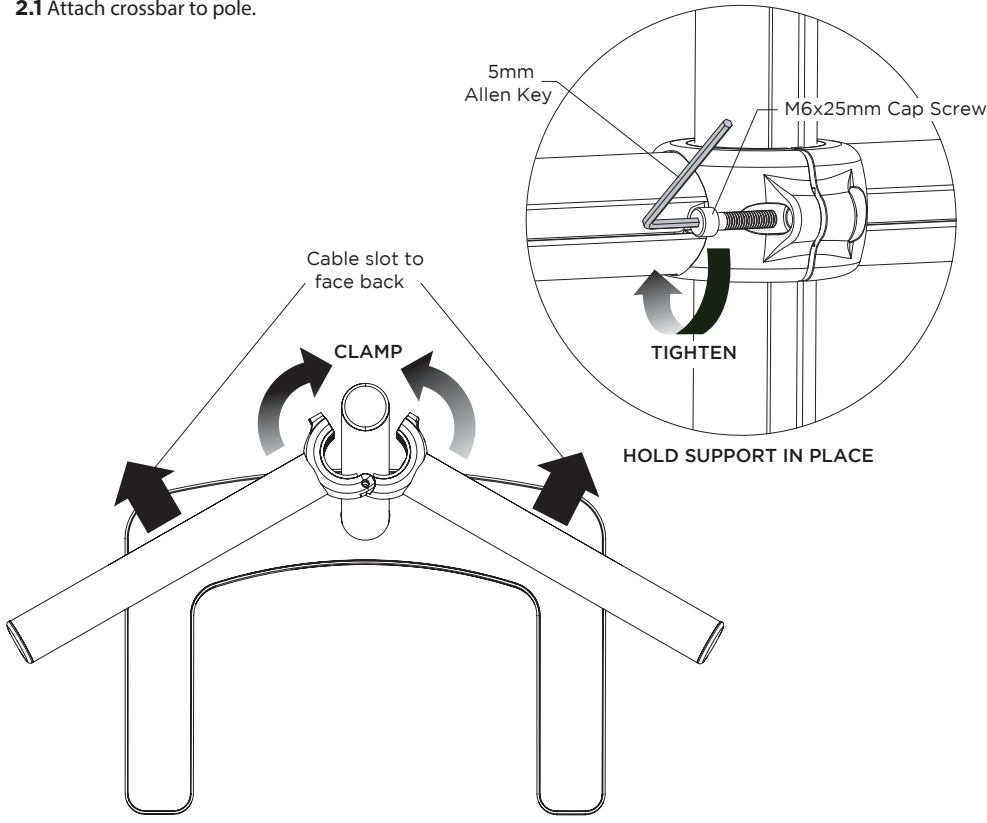
**1.1** Attach the upright pole to the base as shown below. Ensure the cable slot faces towards the rear.



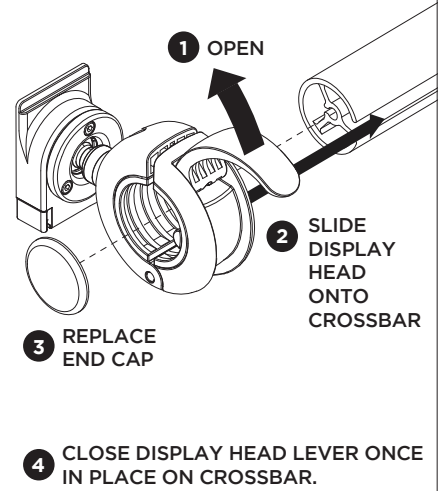
**OPTIONAL BOLT THROUGH & GROMMET MOUNT**  
 Mount can also be bolted to work surface or via grommet hole with the Atdec Grommet Clamp (AC-GC), sold separately.

# 2. Attach Crossbar and VFS display heads

**2.1** Attach crossbar to pole.

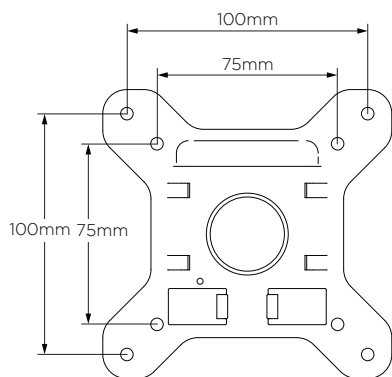


**2.2** Slide VFS display heads onto crossbar.

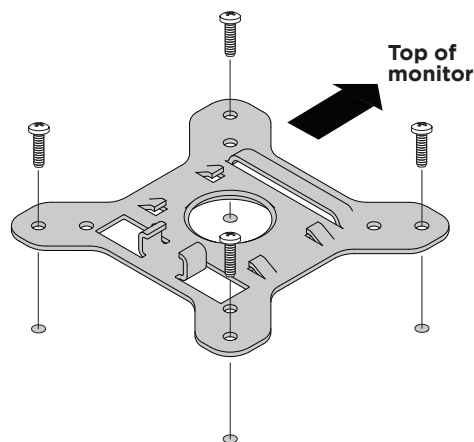


# 3. Attach the VESA plate to your monitor (Repeat steps 3 to 6 for each monitor)

**3.1** Check VESA mounting compatibility



**3.2** Screw VESA plate to back of monitor using provided screws.

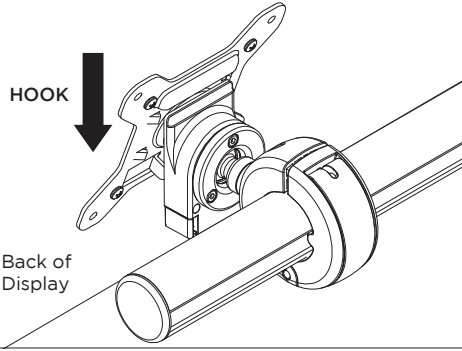
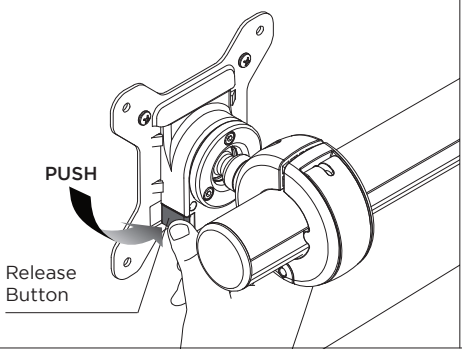
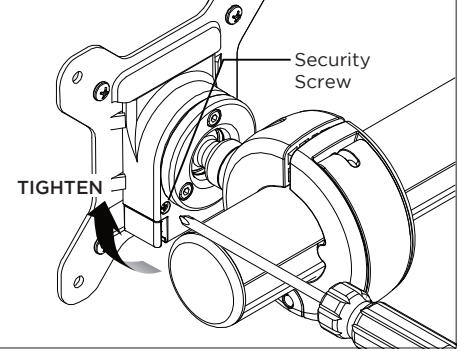


**NOTE:** Be sure to select a screw length that suits the monitor.

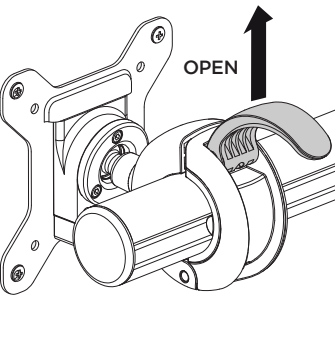
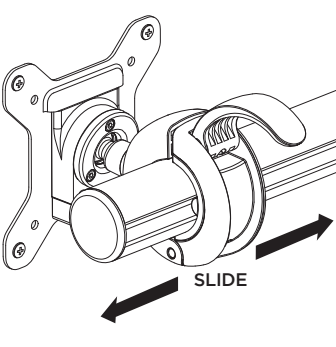
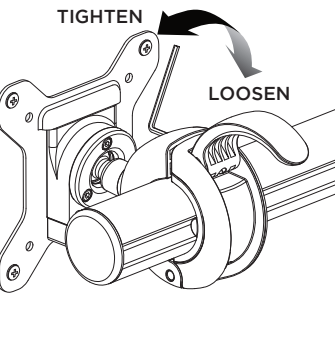
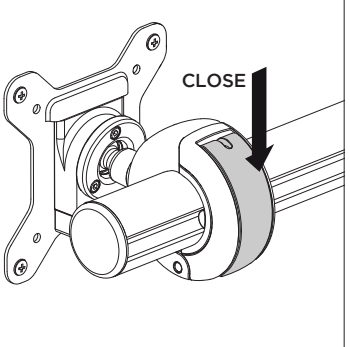
OK      Too short      Too long

✓      ✗      ✗

## 4. Attach your display to the VFS display head

<p><b>4.1</b> Hook the top of the VESA plate onto the display head. <b>! While mounting the first monitor, carefully support mount to prevent tipping.</b></p>  <p>HOOK</p> <p>Back of Display</p>	<p><b>4.2</b> Press and hold the release buttons. Gently push bottom of VESA plate into display head. Release buttons to lock in place.</p>  <p>PUSH</p> <p>Release Button</p>	<p><b>4.3</b> (Optional) Insert the security screw, and tighten using a phillips-head screwdriver.</p>  <p>Security Screw</p> <p>TIGHTEN</p>
--	--	---

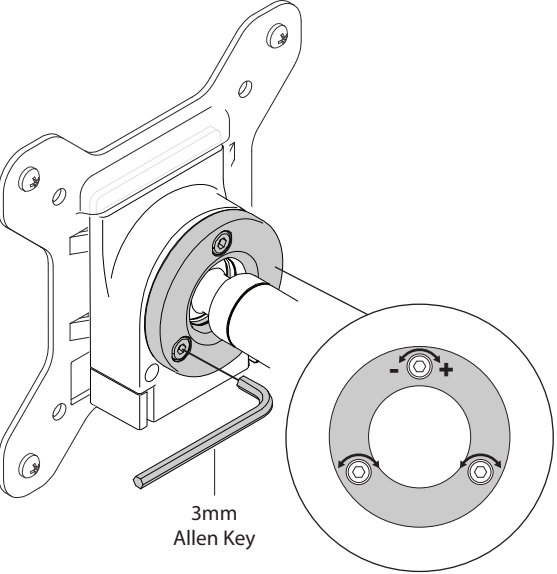
## 5. Adjust horizontal position of monitors

<p><b>5.1</b> Open the lever to loosen the display head.</p>  <p>OPEN</p>	<p><b>5.2</b> Slide the display head to desired position. <b>Note:</b> support monitor weight to aid sliding.</p>  <p>SLIDE</p>	<p><b>5.3</b> If necessary, adjust the tension between the display head and the pole using the 5mm allen key supplied.</p>  <p>TIGHTEN</p> <p>LOOSEN</p>	<p><b>5.4</b> Close the lever to lock the display head in place.</p>  <p>CLOSE</p>
--	---	---	--

## 6. Adjust the ball joint tension

**6.1** If the monitors are not holding position or are stiff to move, adjust the tension plate by tightening or loosening the three screws.

**Note:** Support the monitor while making adjustments.

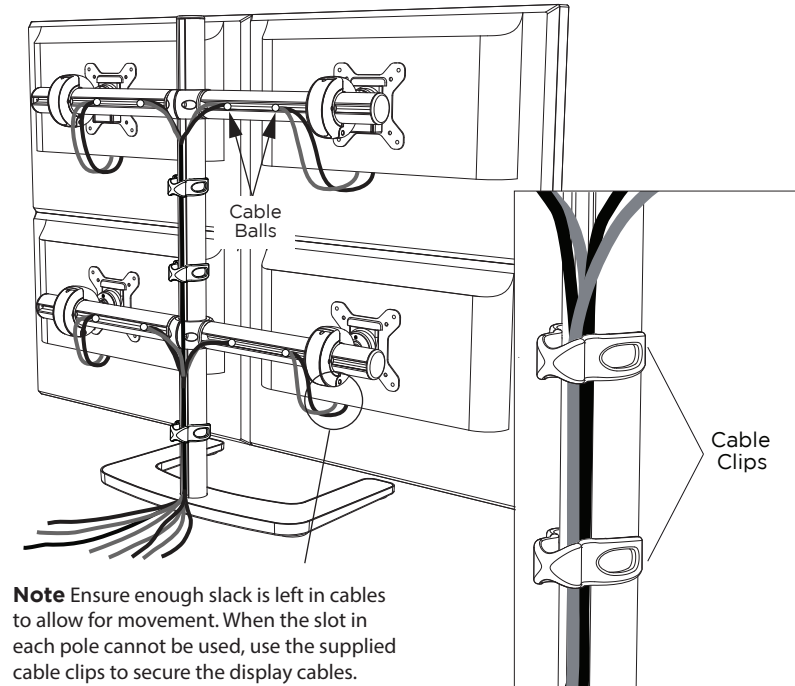


3mm Allen Key

**Note:** Adjust 3 screws **evenly** in small increments

## 7. Cable Management

**7.1** Connect cables to your displays, routing them down the rear of the poles. Push the cables into the slots, using either the cable balls or cable clips to secure them to the pole as shown.

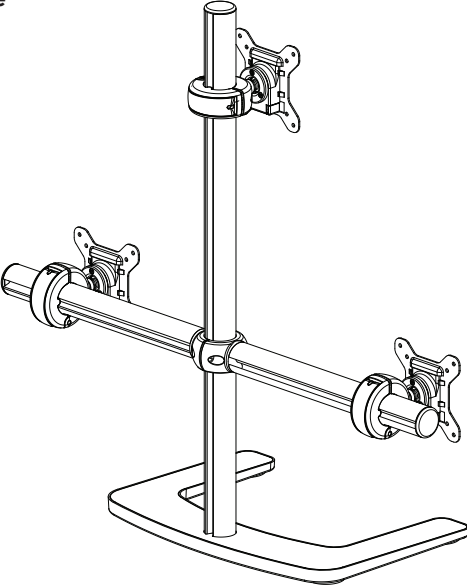
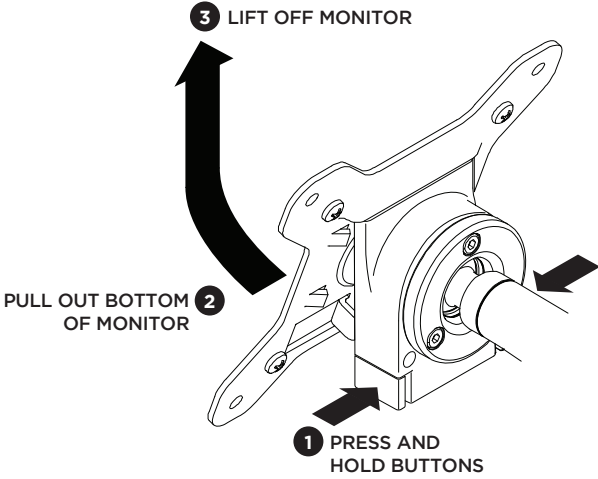
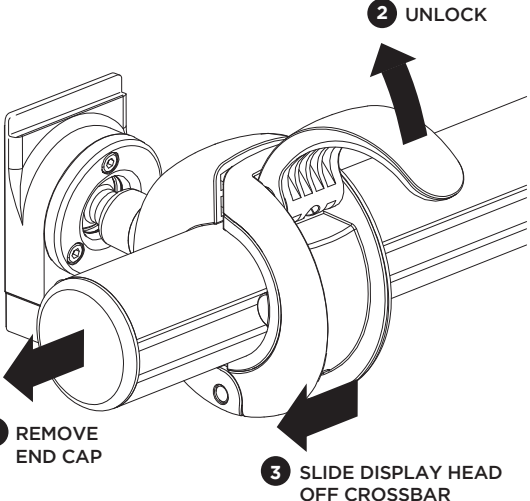
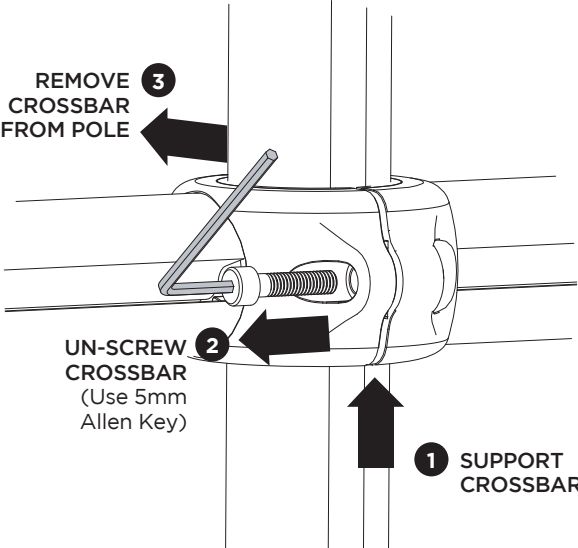
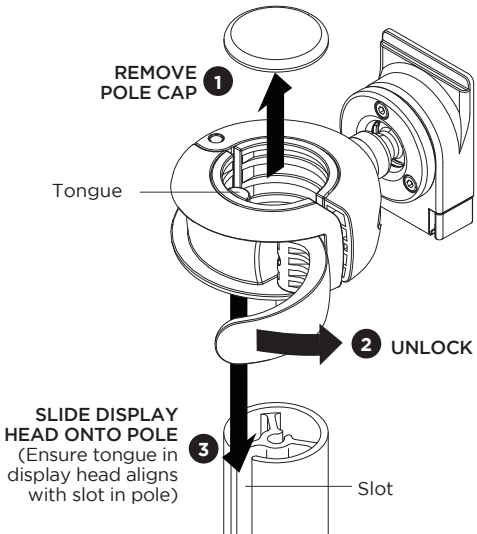
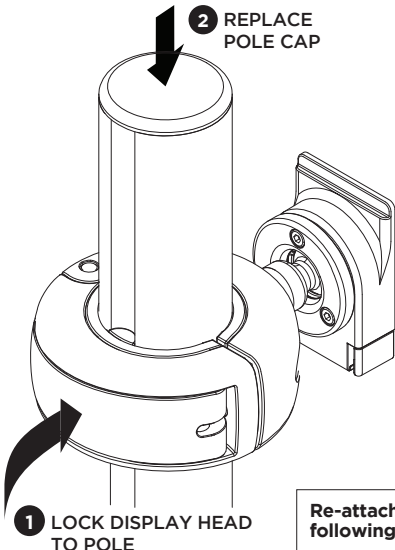


Cable Balls

Cable Clips

**Note** Ensure enough slack is left in cables to allow for movement. When the slot in each pole cannot be used, use the supplied cable clips to secure the display cables.

## OPTIONAL 8. Switch to a triple, dual or single monitor mount

<p><b>Example</b></p> 	<p><b>8.1 Remove monitors</b></p>  <p>3 LIFT OFF MONITOR</p> <p>2 PULL OUT BOTTOM OF MONITOR</p> <p>1 PRESS AND HOLD BUTTONS</p>
<p><b>8.2 Slide display head off crossbar</b></p>  <p>2 UNLOCK</p> <p>1 REMOVE END CAP</p> <p>3 SLIDE DISPLAY HEAD OFF CROSSBAR</p>	<p><b>8.3 Remove crossbar from pole</b></p>  <p>3 REMOVE CROSSBAR FROM POLE</p> <p>2 UN-SCREW CROSSBAR (Use 5mm Allen Key)</p> <p>1 SUPPORT CROSSBAR</p>
<p><b>8.4 Slide display head onto pole</b></p>  <p>1 REMOVE POLE CAP</p> <p>Tongue</p> <p>2 UNLOCK</p> <p>3 SLIDE DISPLAY HEAD ONTO POLE (Ensure tongue in display head aligns with slot in pole)</p> <p>Slot</p>	<p><b>8.5 Lock display head onto pole</b></p>  <p>2 REPLACE POLE CAP</p> <p>1 LOCK DISPLAY HEAD TO POLE</p> <p>Re-attach monitor following steps 4.1 to 4.3</p>