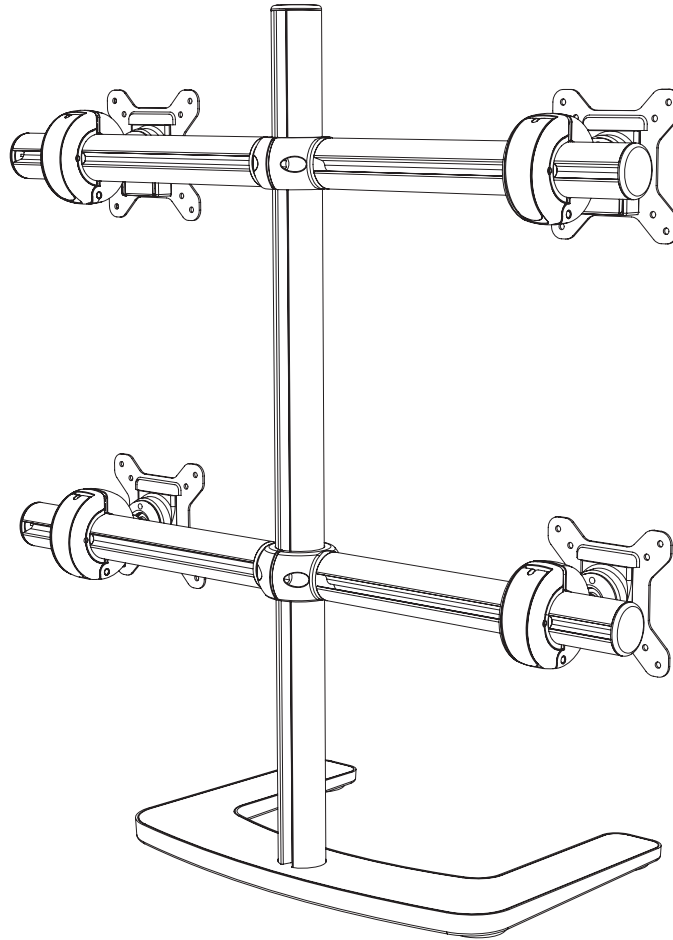


## Freestanding Quad Monitor Mount



### FEATURES

- Supports four monitors up to 32" (see dimensions below to confirm monitor size is suitable for this mount).
- Up to 20° cockpit angle per monitor for ergonomic viewing and curvature continuous alignment of curved monitors (dependent on monitor size).
- Quick monitor release/attachment mechanism.
- Generous cable management guides cables discreetly down to the work surface.
- Highly re-configurable by swapping crossbars for single VFS Display Heads.
- Compatible with Grommet Clamp (AC-GC) for bolt through or grommet installation.

### Monitor weight

**Flat**

**Curved**

per monitor

0-8kg (0 - 17.6lb)\*

0-6kg (0 - 13.5lb)\*

120mm (4.75") max overall monitor depth

1kg (2.2lb) maximum weight difference between monitors.

### Max Vertical Height

736mm (29")

### Tilt angle

+/- 20°

### Monitor rotation

360°

### VESA mounting

75x75 | 100x100

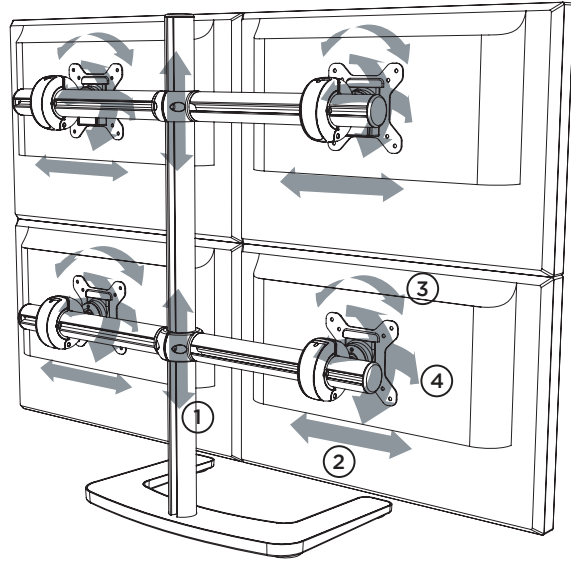
\*Curved monitors, deep devices (such as all-in-one PCs), VESA mounted accessories (such as mini PC brackets and mounts), and offset VESA locations exert additional leverage that can exceed the capacity of the mount even though the monitor weight may be within the stated range. Please contact Atdec if you would like further information.

### WARRANTY

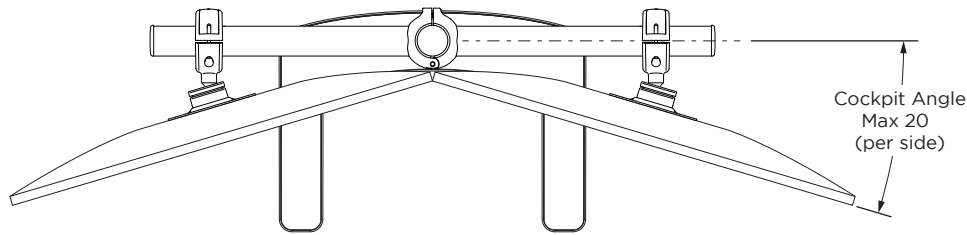
10 years limited

## MOVEMENT

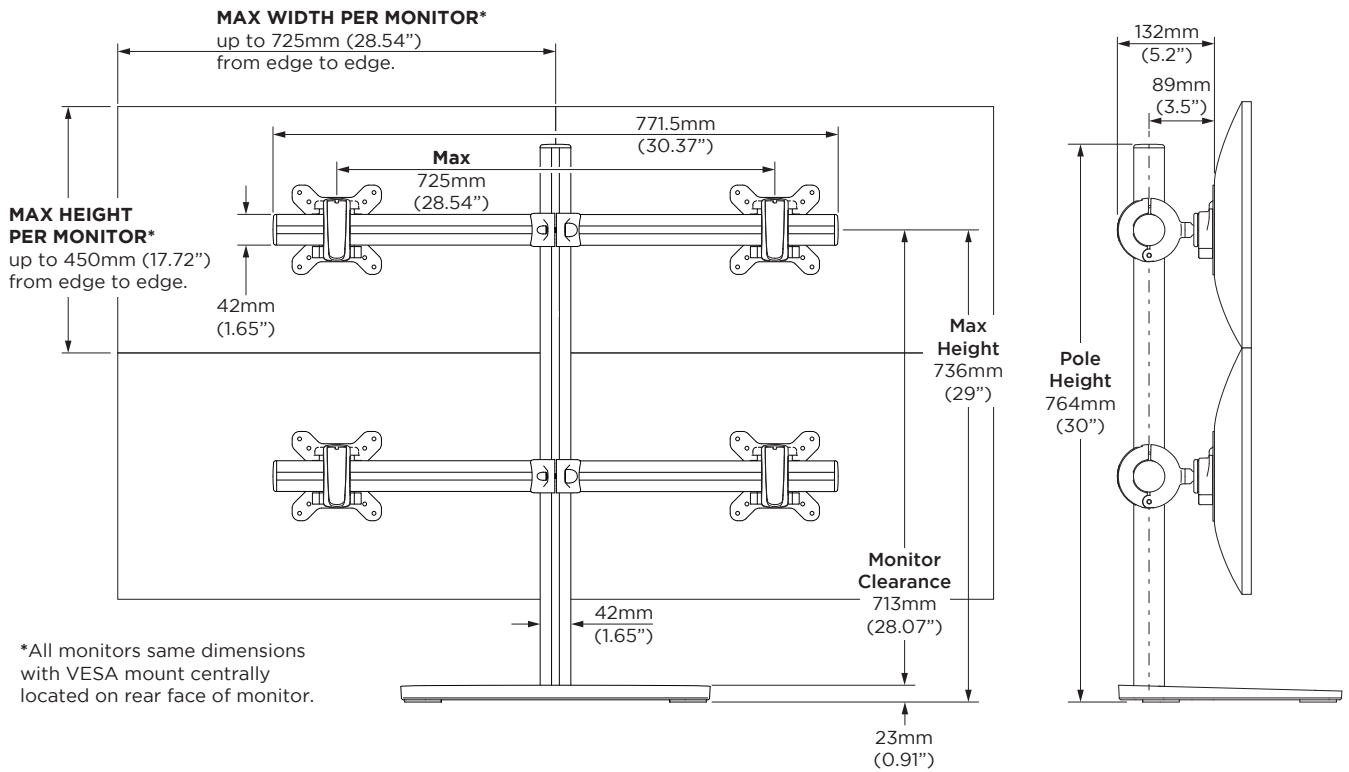
1. Vertical height adjustment
2. Horizontal adjustment
3. 360°Portrait/Landscape adjustment
4. ±20° Pan/Tilt adjustment



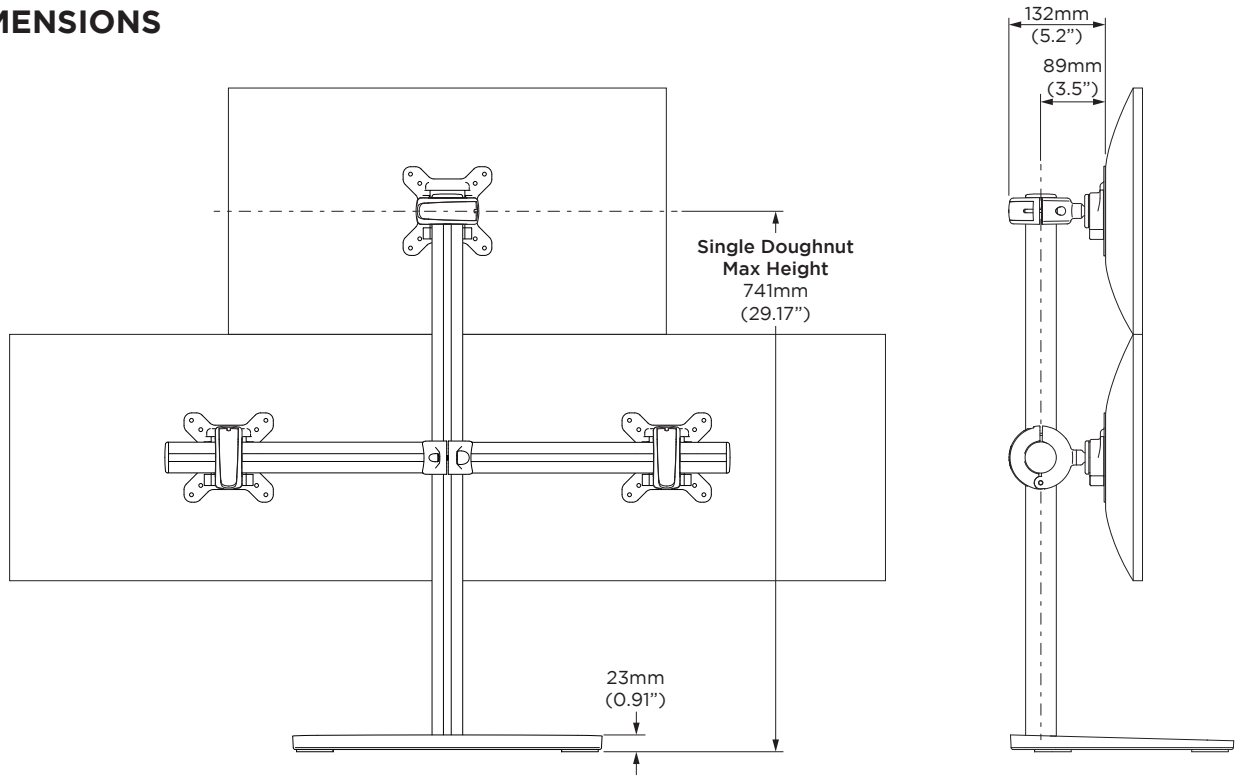
## DIMENSIONS



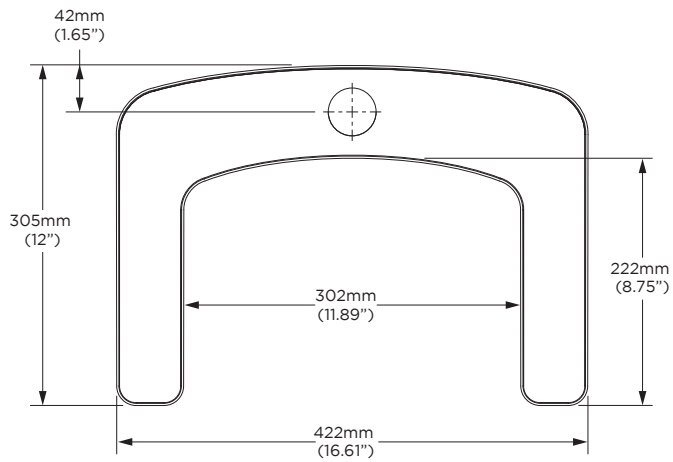
**NOTE:** 20° Cockpit angle reduces max monitor width to 715mm (28.15").



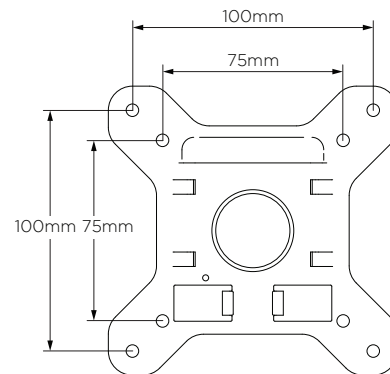
## DIMENSIONS



## BASE DIMENSIONS



## VESA DISPLAY MOUNTING OPTIONS



## OPTIONAL CONFIGURATIONS

