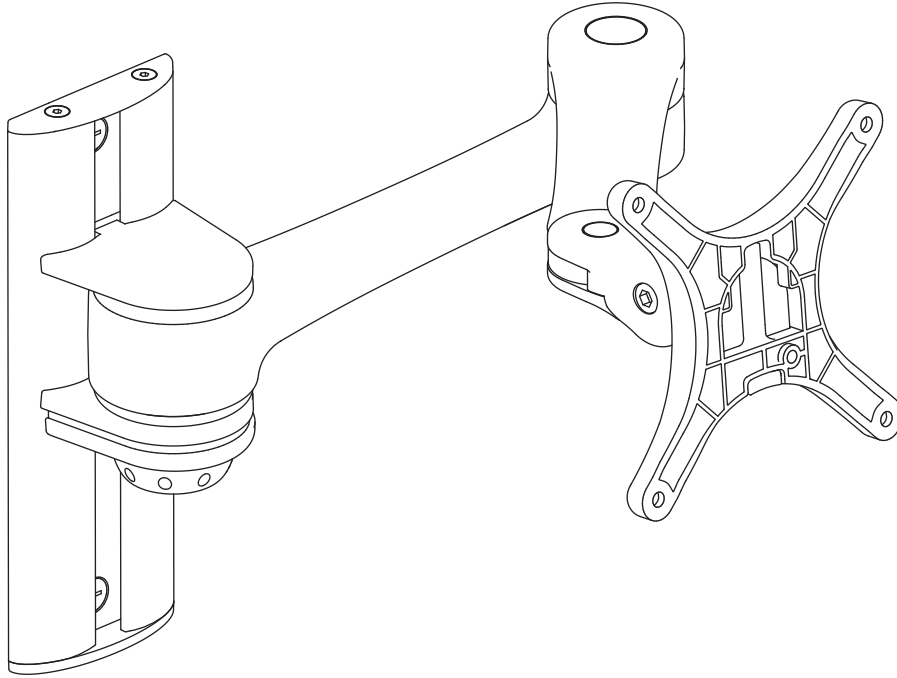
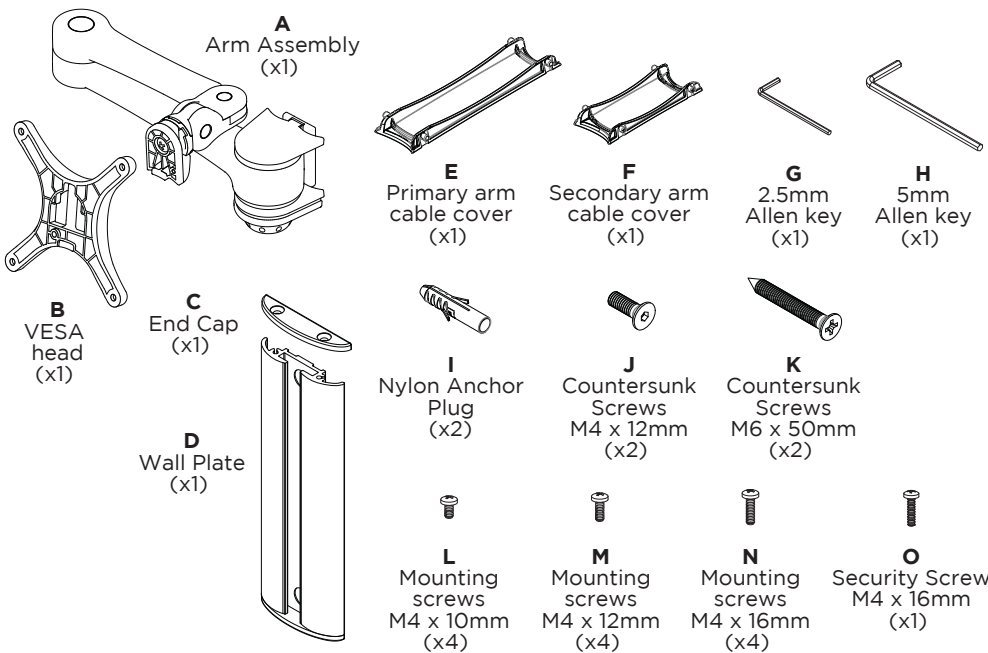


## Wall Mounted Monitor Arm



### COMPONENT CHECKLIST

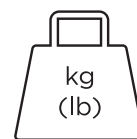


Wall

### REQUIRED TOOLS

- Power Drill
- Drill Bit
- Phillips Head Screwdriver

### WEIGHT RANGE



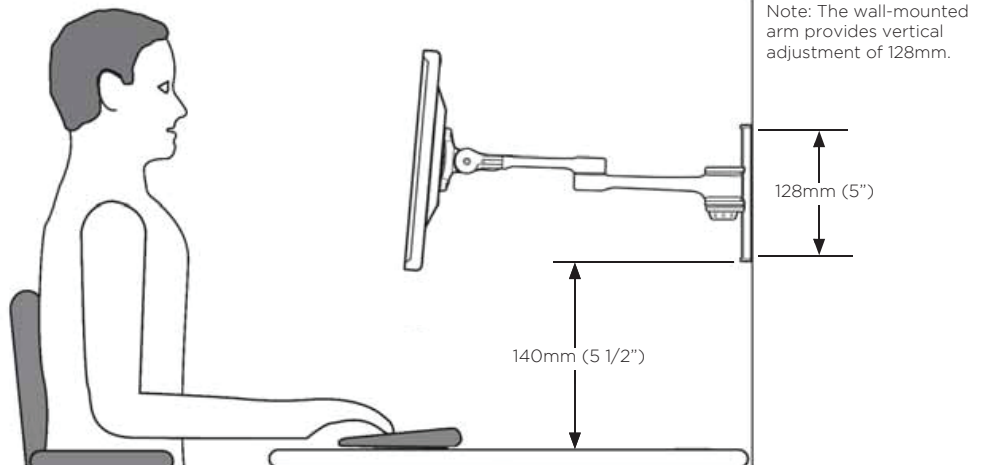
0 - 8kg  
(0 - 17.6lbs)

### IMPORTANT INFORMATION

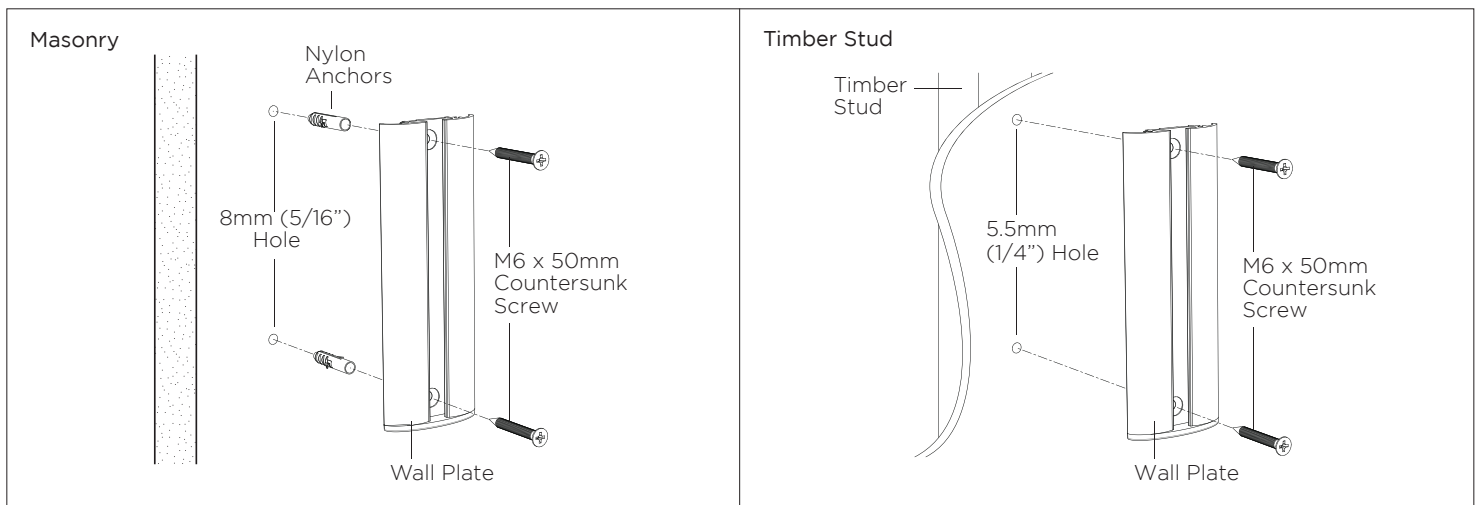
- ! Please ensure this product is installed as per these installation instructions.
- ! The manufacturer accepts no responsibility for incorrect installation.

## 1. Position Wall Plate

As a guide, it is recommended that the bottom of the Wall Plate be positioned approximately 140mm (5 1/2") above the desktop.

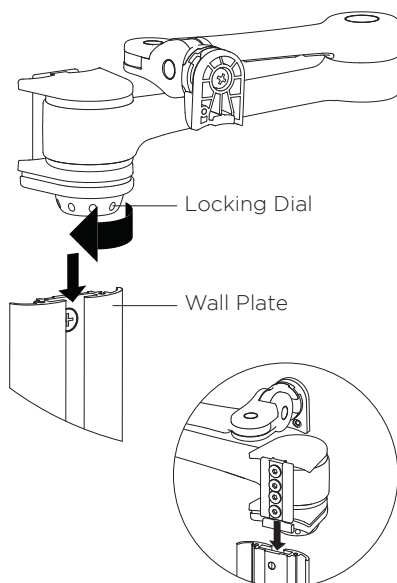


## 2. Choose the appropriate installation procedure depending on your wall type

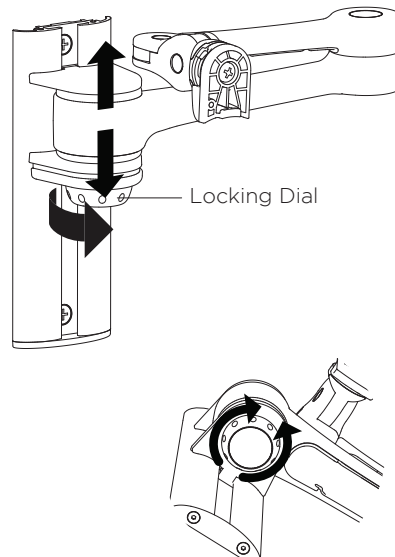


## 3. Mount Arm Assembly

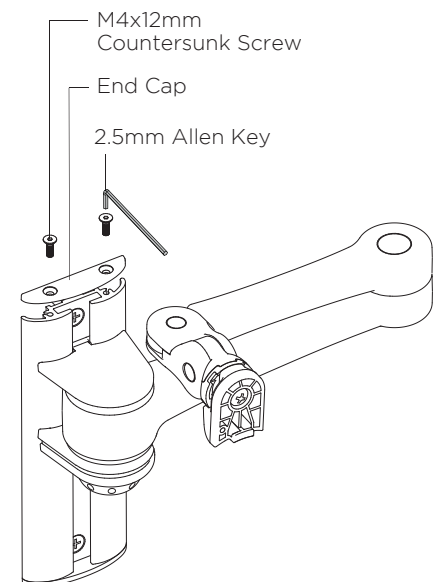
**3.1** Unlock the Locking Dial before inserting the Arm Assembly into the Wall Plate



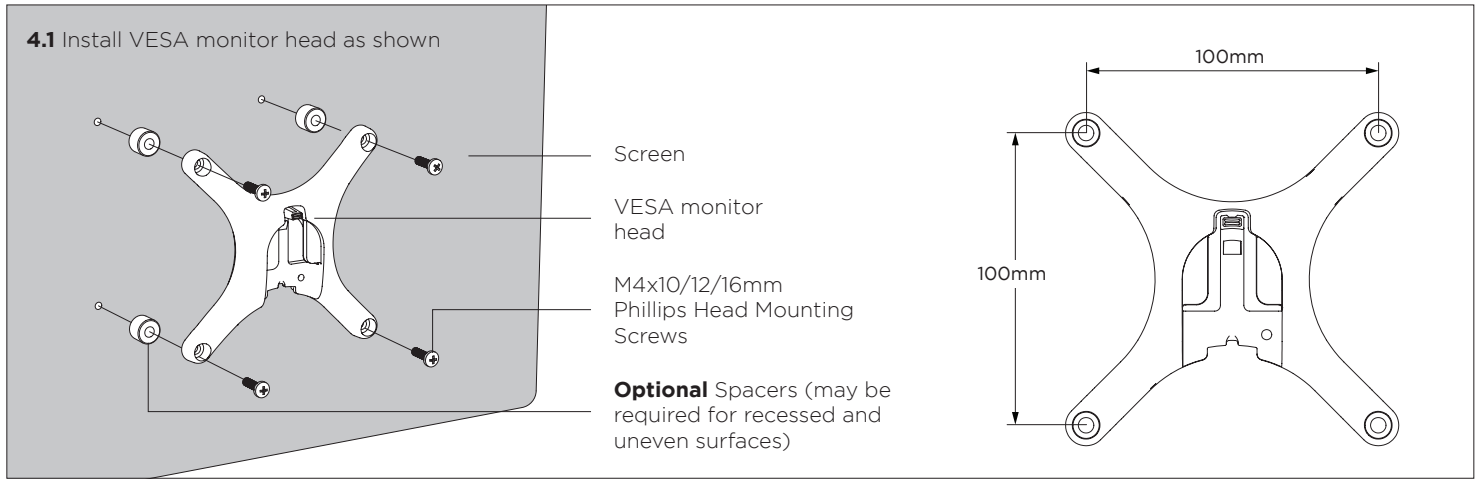
**3.2** Slide the Arm Assembly to the preferred height and lock to secure the arm



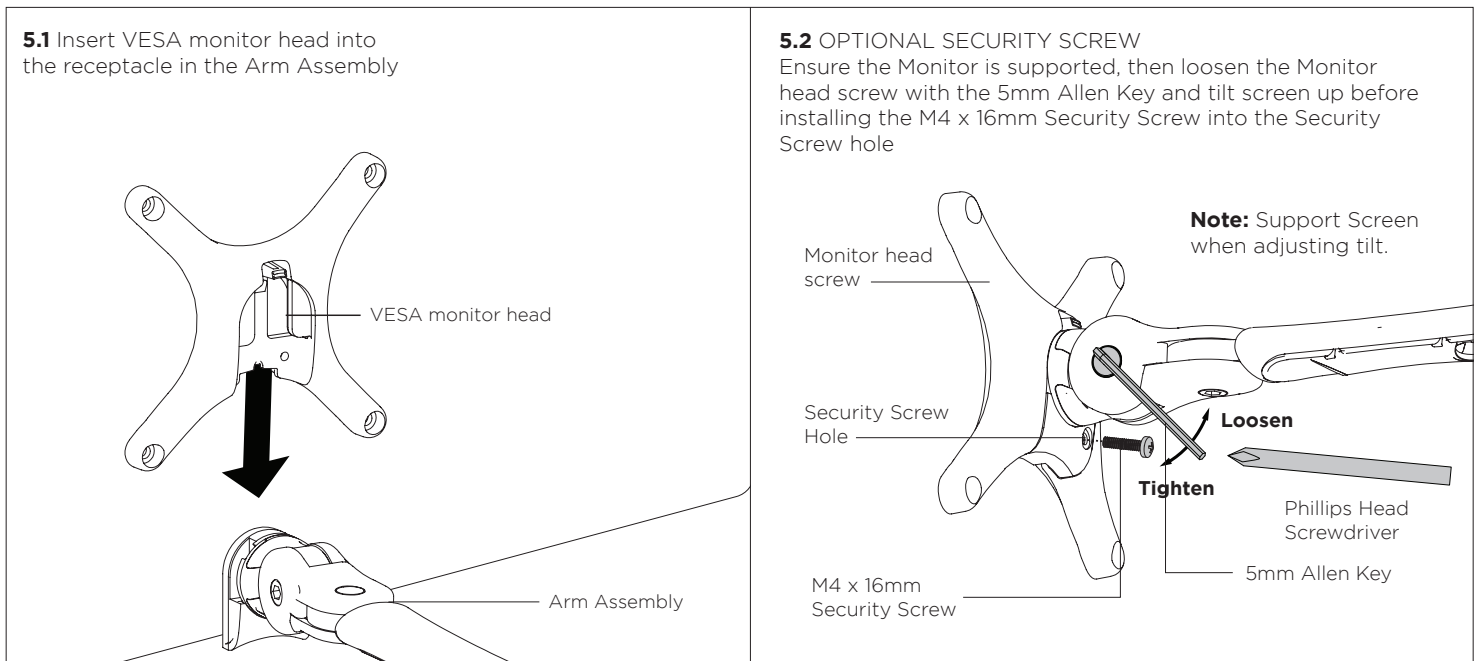
**3.3** Secure the End Cap with the supplied M4x12mm Countersunk Screws and 2.5mm Allen Key



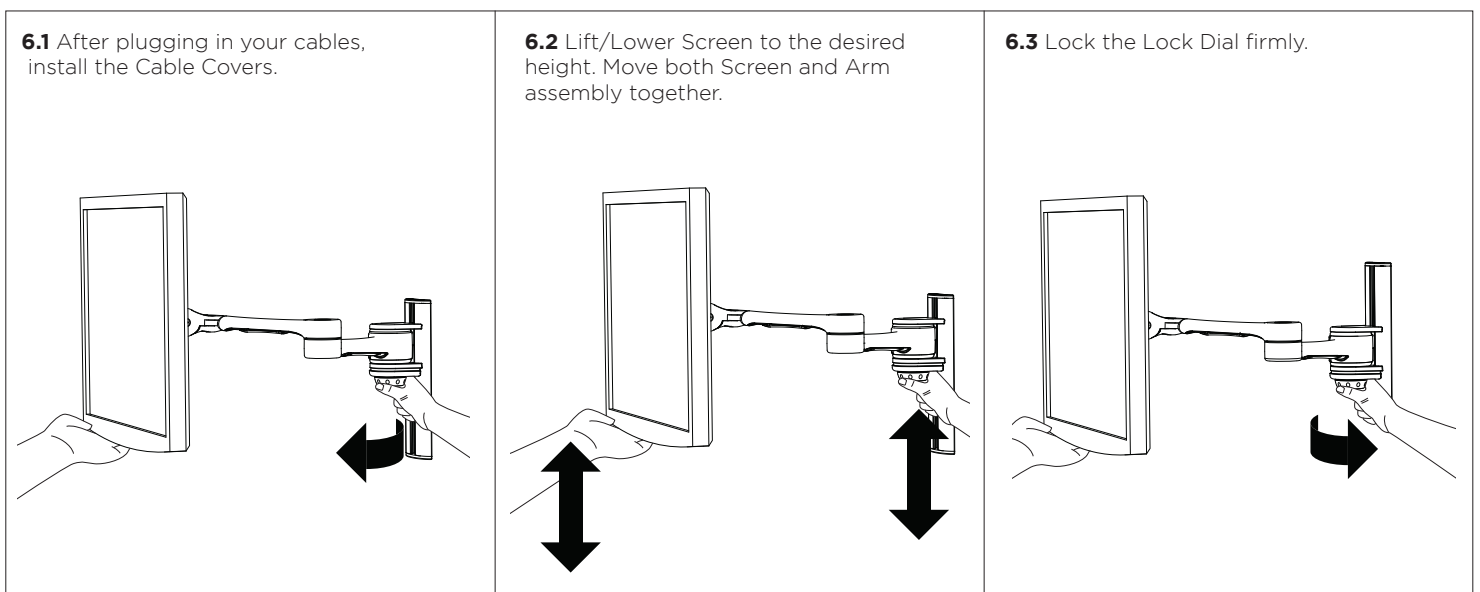
## 4. Install VESA monitor head



## 5. Mounting Monitor

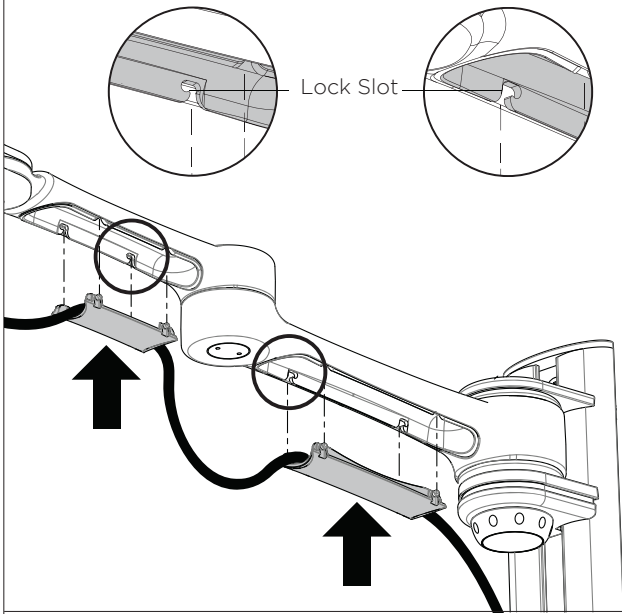


## 6. Adjusting Height

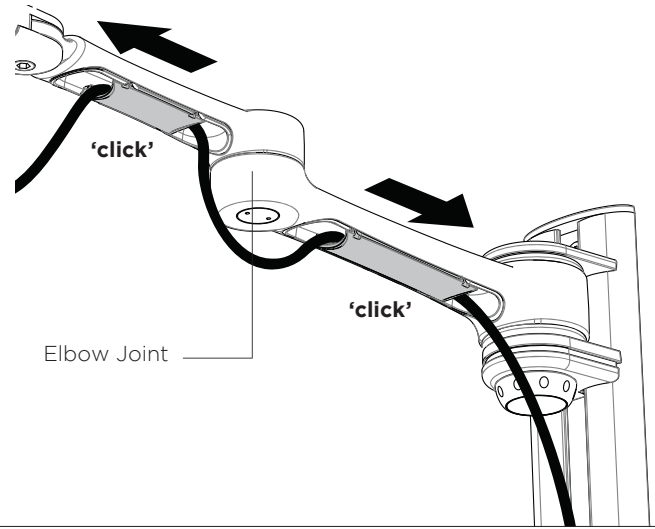


## 7. Cable Management

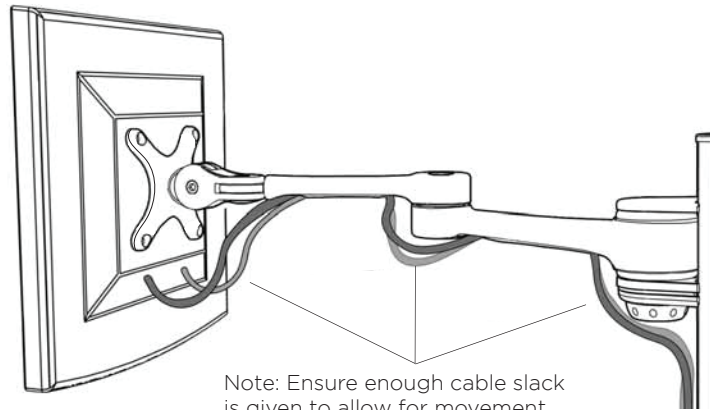
**7.1** After plugging in your cables, install the Cable Covers. Insert Cable Coversup into Lock Slots.



**7.2** Push Cable Covers away from Elbow Joint to secure in place.

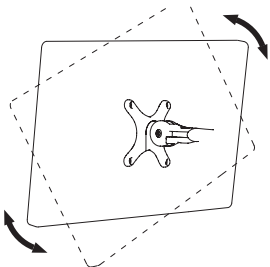


**7.3** Cable Clips and Cable Stops can be installed to further manage cables.



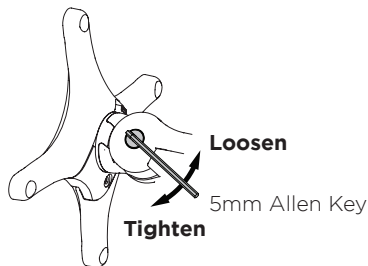
## 8. Adjusting the Display Bracket

**Portrait/ Landscape**



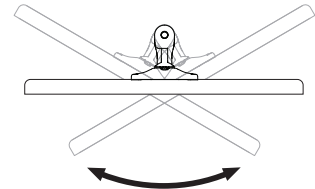
**No Allen Key necessary**

**Tilt** (Screen angle up/down)



**Note:** Support Screen when adjusting tilt.

**Pan** (Screen angle left/right)



**No Allen Key necessary**