

VFS-DH

Freestanding monitor desk mount mount for one/two monitors

Elegant yet durable solution for mounting two monitors of up to 26.5lb each.

It is suitable for flat and curved monitors and includes a freestanding base. It can be converted to support a single display.



Set & Forget desk mounting solutions

Ideal for:

- 2 x flat or curved displays up to 32"* with 16:9 aspect ratio, R1500 or R1800 for seamless curvature
- 1 x flat screen up to 43" in a single display configuration



75 x 75
100 x 100



Flat: 26.5lb
Curved: 26.5lb

Viewing angle control via ball joint mechanism of 20° in any direction

Quick display release mechanism for easy installation

Tool-free independent display position adjustment with QuickShift™ lever

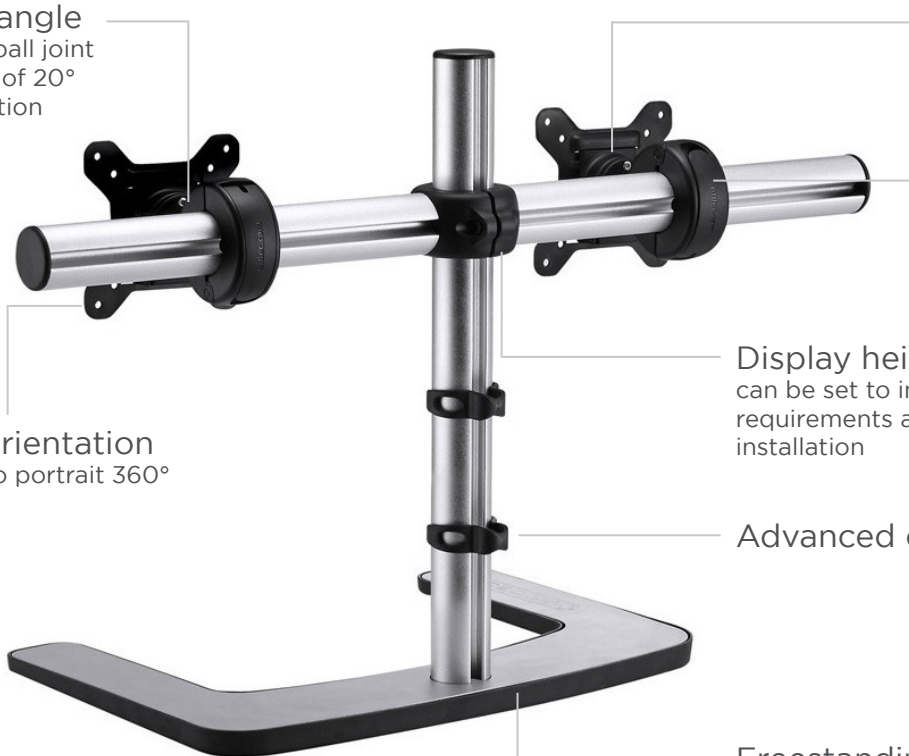
Display height can be set to individual requirements at the time of installation

Advanced cable management

Freestanding unit can be moved around easily. Optional bolt through kit available (AC-GC, sold separately)

Display orientation landscape to portrait 360° rotation

Material
100% recyclable lightweight yet durable aluminium



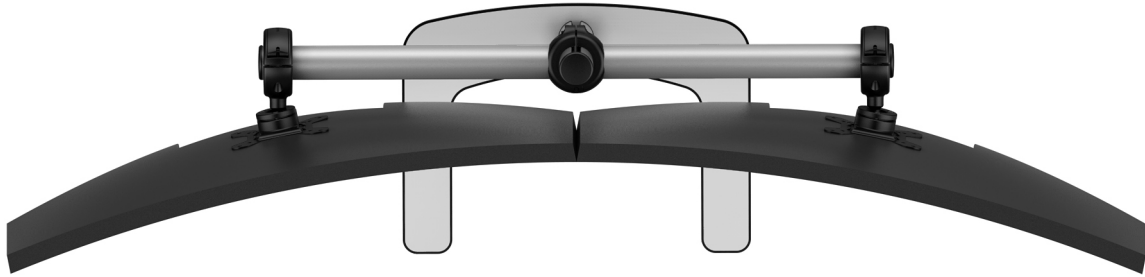
* Please check the physical width of your displays (maximum allowed combined width is 57.32")

10 year warranty

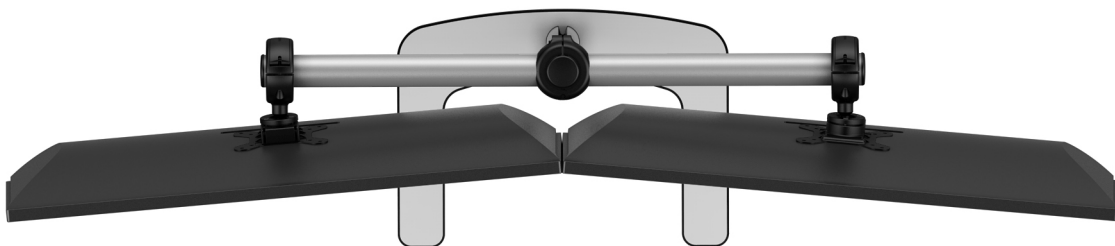


VFS-DH

Indicative position of 2 x 32" R1800 curved monitors, 16:9*



Indicative position of 2 x 32" flat monitors, 16:9*



VFS-DH can support monitors up to 43" 16:9 in a single display landscape configuration.

The crossbar can be replaced with any of the supplied VESA heads & attached directly to the vertical post.

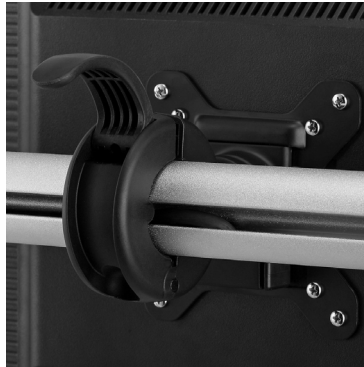
* Please check the physical width of your displays (maximum allowed combined width is 57.32")



VFS-DH



Quick display release mechanism for easy installation.



Tool-free independent display position adjustment with QuickShift™ lever.



Advanced cable management.

Grommet Clamp AC-GC (sold separately)



Can be used as a bolt through option or fitted into a grommet hole (2.36"-3.15 in diameter).

Freestanding base (included)



Doesn't require desk fixing.
Freestanding base: 16.6" x 12".



Atdec Uncover™ is where our infinite mounting possibilities become your specific mounting solutions.



Call us on 888 303 4252 to discuss your next project or visit atdec.com/workspace