

VF-AT-AA

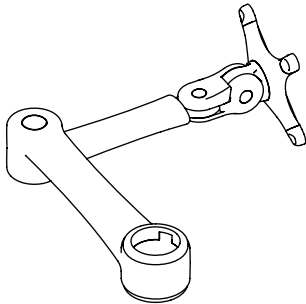
# Installation Instructions

# visidec

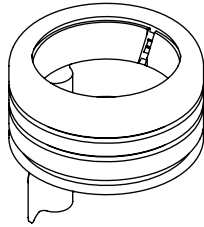
## Focus Accessory Arm

**IMPORTANT:**  
The "User Operating Card" must be left with Visidec Focus Articulated Arm once installed.

### Component Checklist

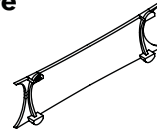


Articulated Arm

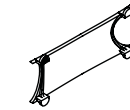


Hand Grip

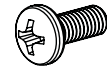
#### Hardware



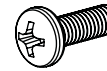
Primary Arm Cable Cover



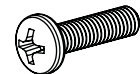
Secondary Arm Cable Cover



M4x10mm (4x)



M4x12mm (4x)



M4x16mm (4x)

Display Mounting Screws

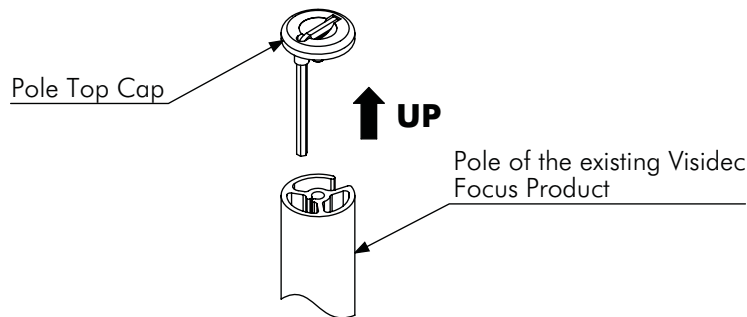
#### IMPORTANT INFORMATION:

- ! **IMPORTANT - Install Visidec Focus Accessory Arm as per Installation Instructions.**
- ! This product is designed to be installed onto an existing Visidec Focus pole mount.
- ! This products supports displays with a maximum weight of 8kg (17½ lbs), and VESA mounting hole configurations: 75 x 75mm (3" x 3"), 100 x 100mm (4" x 4").
- ! The manufacturer accepts no responsibility for incorrect installation.

#### Step 1. Check Components

Check you have received all parts against the Component Checklist and Hardware above.

#### Step 2. Remove Top Cap



#### Step 3. Attached Articulated Arm to the Existing Visidec Focus Product

Articulated Arm

Hand Grip tab

Lip of the Pole

Pole

A. Slightly insert Articulated Arm.

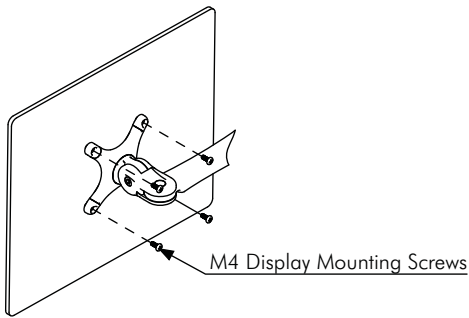
B. Hold Articulated Arm at the lip of the pole and insert Hand Grip tab in the Articulated Arm. Ensure the tab lines up with the slot in the Pole.

C. Slide down Articulated Arm with Hand Grip to the desired position.

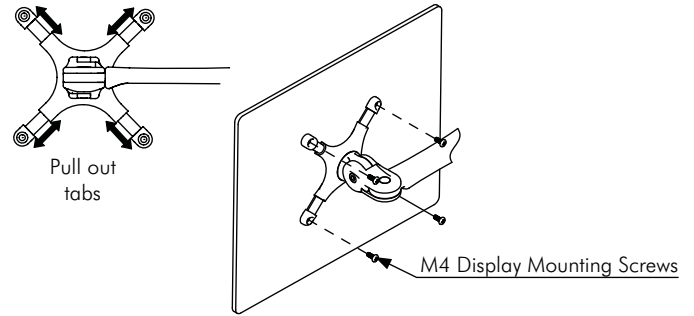
D. Twist and lock the Hand Grip.

**Note: DO NOT OVER TIGHTEN**

## Step 4. Fasten Display to Articulated Arm

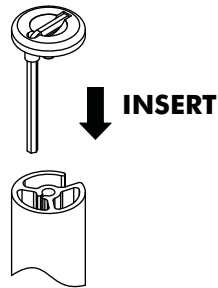


For displays with 75 x 75mm  
(3" x 3") mounting hole patterns



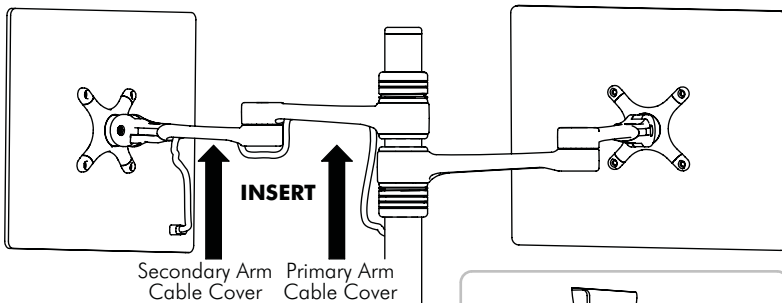
For displays with 100 x 100mm  
(4" x 4") mounting hole patterns

## Step 5. Replace Top Cap



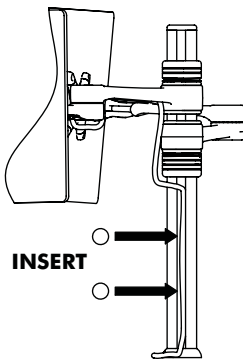
## Step 6. Cable Management - Ensure arm is fully extended

Route the Cables underneath the Arms, inserting the Primary and Secondary Arm Cable Covers to hold the Cables in place.

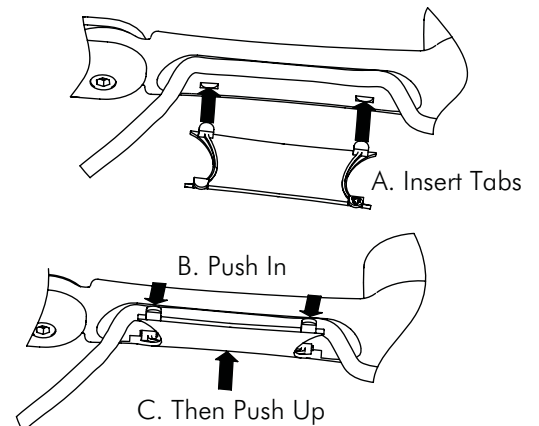


**TIP: Leave enough slack in the cables at the joints to allow full movement.**

Insert cables into the pole slot using the Cable Balls (supplied with the Visidec Focus Mount) to hold them in place.



### To insert Cable Covers:



**NOTE: If the Articulated Arms are to be used in a multi-user environment, use the Cable Clip (supplied with the Visidec Focus Mount) to secure the cables to the pole.**

## Installation Complete

