

# Technical Specification



# visidec

## Focus Accessory Arm

### General Features

**Maximum Load:**  
8kg (17.5 lbs)

**Warranty:**  
10 years limited

**Mounting Compatibility:**

The product is designed to be installed on an existing Visidec Focus pole mount.  
VESA Mounting Hole Configurations:  
75mm x 75mm  
100mm x 100mm

Dual-screen setup supports displays with a maximum unit width of 650mm (25.59").

**Tools Required:**

Phillips Head screwdriver

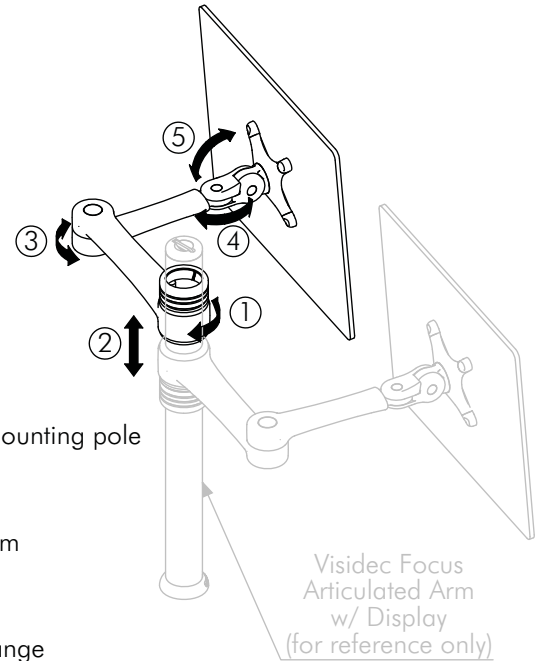
**Cable Management:**

Cable management system includes cable slots and Cable Covers.

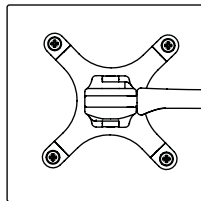
**Colour:**

Polished Silver

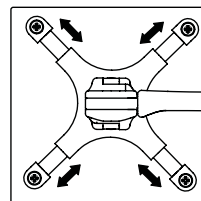
- ① 360° rotation along mounting pole
- ② Height adjustment
- ③ 360° articulation of arm
- ④ 180° pan adjustment
- ⑤ ±70° tilt adjustment range



### The Flexistar™ Mechanism



75mm x 75mm  
VESA Hole Pattern



100mm x 100mm  
VESA Hole Pattern

Pull out  
tabs

### Dimensions

