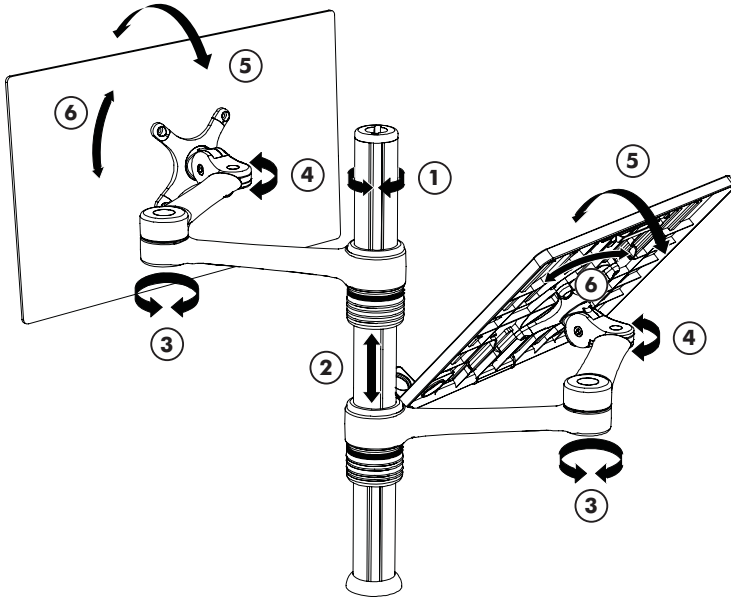




General Features



Max Load:

Max. 8kg (17.5lbs) for each arm

Display Compatibility:

Suits displays from 12" (30cm) to 24" (61cm)

Notebook Compatibility:

Notebook Mount supports Notebooks up to 18"

Display Mounting Options:

Suits 75mm x 75mm to 100mm x 100mm mounting hole patterns

Mounting Options:

Visidec Focus includes Bolt Through and Desk Clamp mounting options.

- Desk clamp
Suits desktop thicknesses of 0mm-99mm (0"-3.9")
- Bolt Through
Suits desktop thicknesses of 12mm-40mm (0.5"-1.5")

Included Hardware:

All fasteners and mounting hardware is included

Colours:

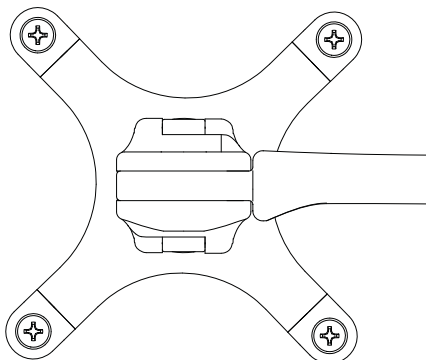
Polished Silver

Warranty:

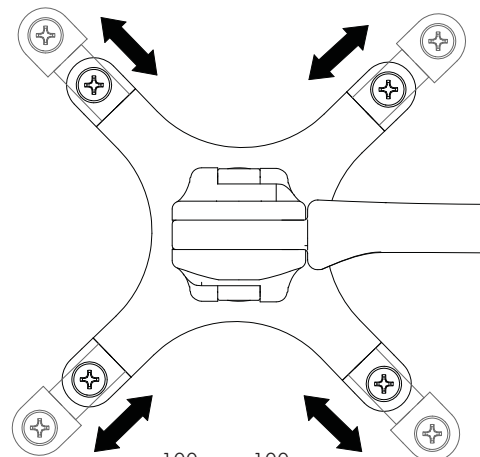
10 years limited.

① Rotation around mounting pole	360°	360°
② Height adjustment range	270mm (10.63")	270mm (10.63")
③ Articulation of arms	360°	360°
④ Pan adjustment	180°	180°
⑤ Tilt adjustment range	±70°	25°
⑥ Horizontal adjustment	±95°	±5°
	Monitor Arm	Notebook Tray Arm

The FlexiStar™ mechanism

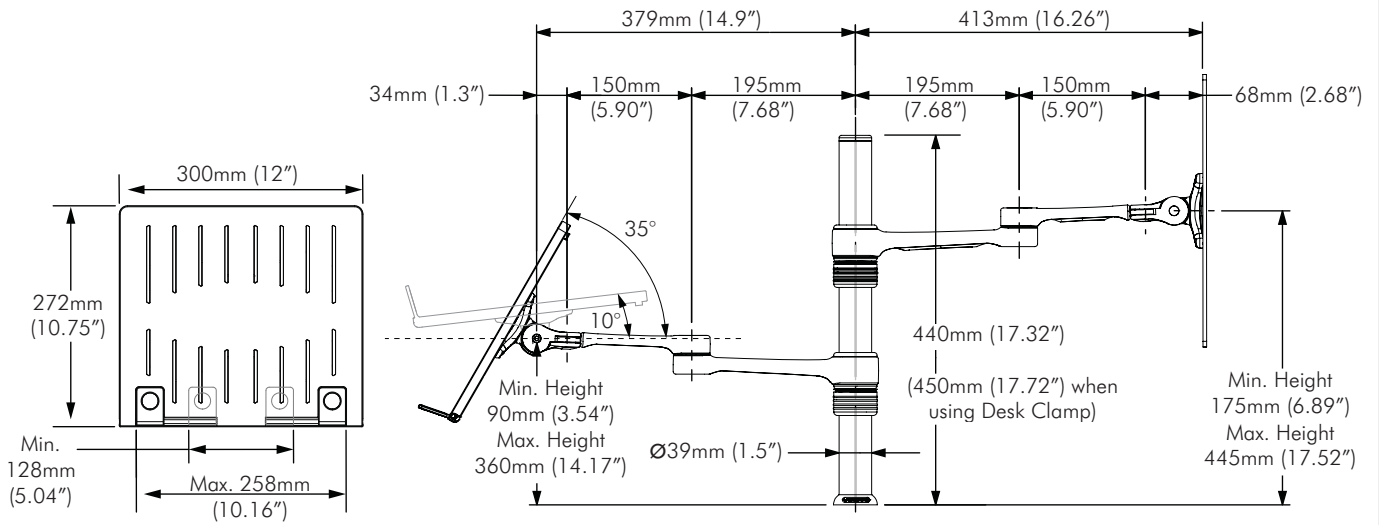


75mm x 75mm VESA hole pattern



100mm x 100mm VESA hole pattern

Overall Dimensions



Note:

The Min/Max Arm heights increase by 8mm when using Desk Clamp.

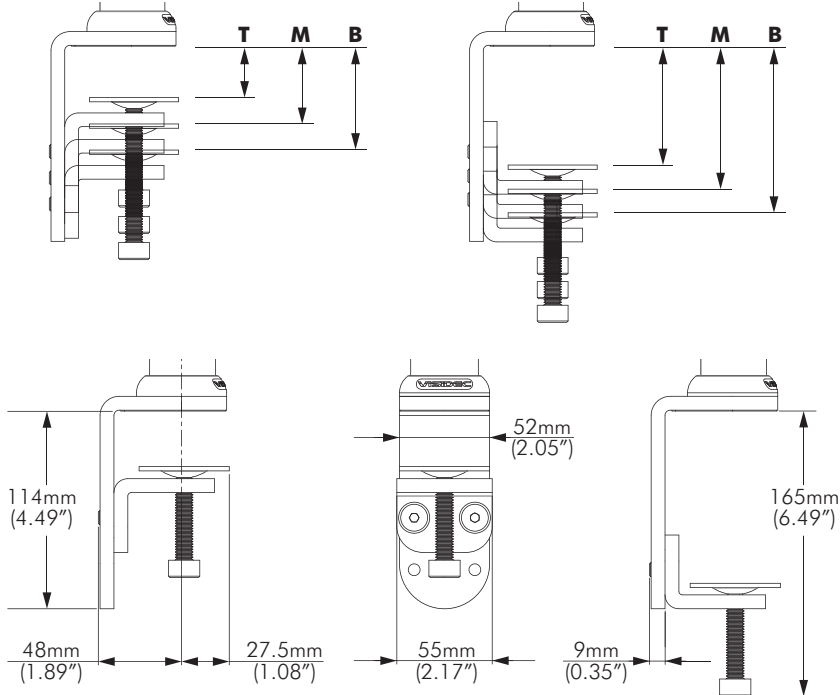
Desk Mounting Options

Desk Clamp

Desk clamp suits the following thicknesses of **0mm-99mm (0"-3.9")**

Top	0 - 32mm (default)
Middle	7 - 47mm
Bottom	22 - 62mm

Top	29 - 69mm
Middle	43 - 84mm
Bottom	59 - 99mm



Bolt Through

Bolt Through suits desktop thicknesses of **12mm-40mm (0.5"-1.5")**

