



### General Features

**MAXIMUM LOAD:**

8kg (17.5 lbs)

**NOTEBOOK COMPATIBILITY:**

Notebook Mount supports Notebooks up to 18".

**Mounting Option:**

Visidec Focus Notebook Mount Accessory to be used in conjunction with Visidec pole products:

VF-AT  
VF-AT-D  
VF-AT-M

**Cable Management:**

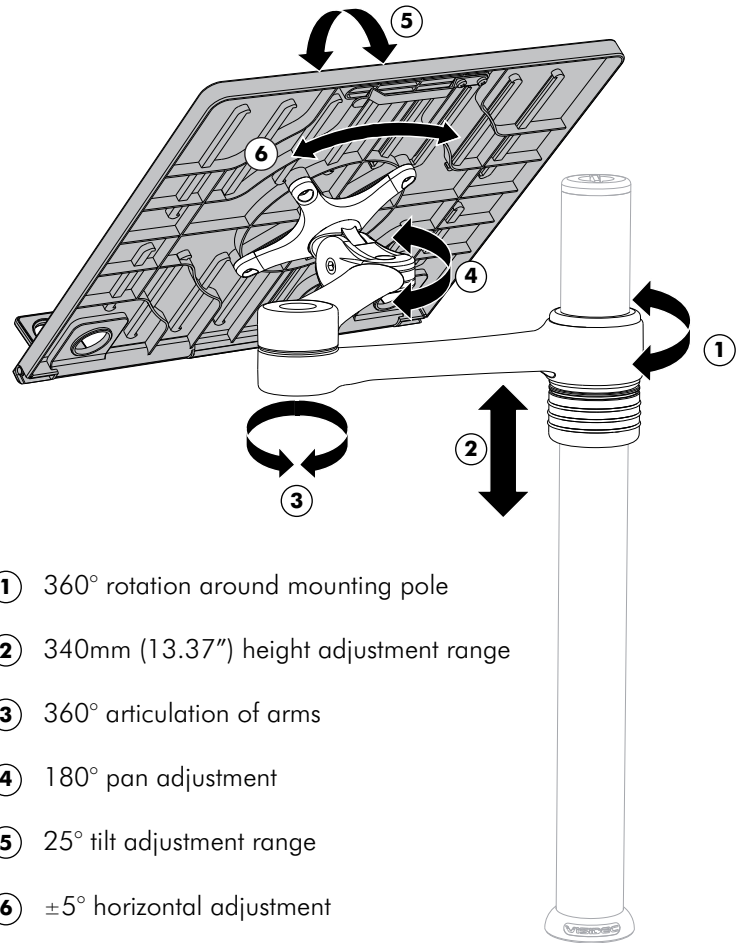
Cable management system includes cable slot and cable management clips.

**Colour:**

Polished Silver

**Warranty:**

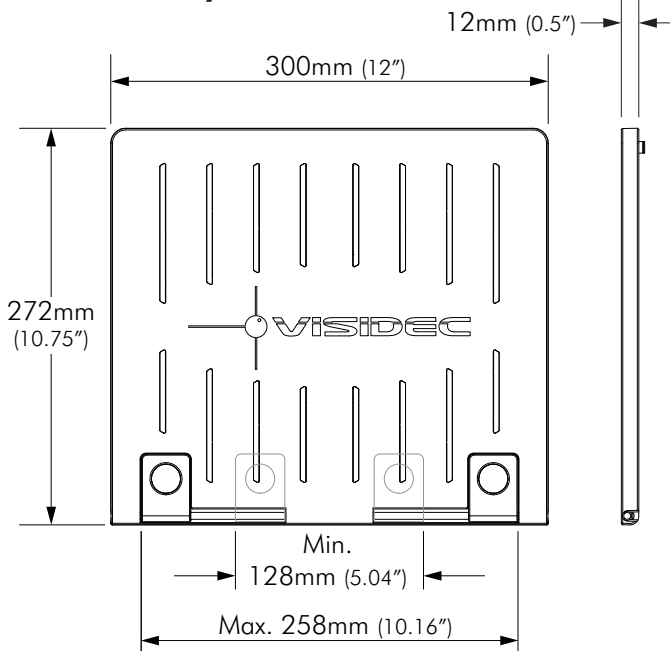
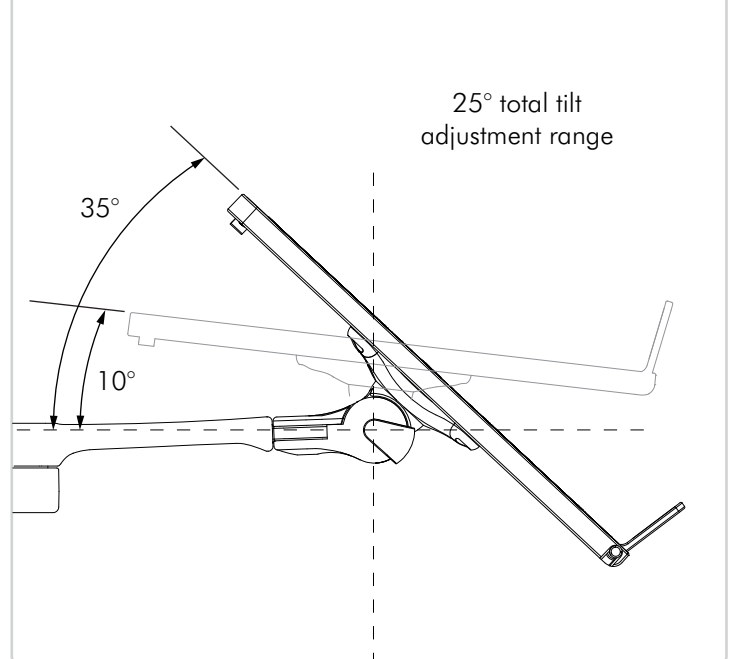
10 years limited



- ① 360° rotation around mounting pole
- ② 340mm (13.37") height adjustment range
- ③ 360° articulation of arms
- ④ 180° pan adjustment
- ⑤ 25° tilt adjustment range
- ⑥ ±5° horizontal adjustment

Note: Pole not included

### Dimensions

**Notebook Tray**

**Side View**


## Overall Dimensions

